

10mm CSV Cartridge Style Valve

Miniature 2- or 3-Way Pneumatic Solenoid Valve

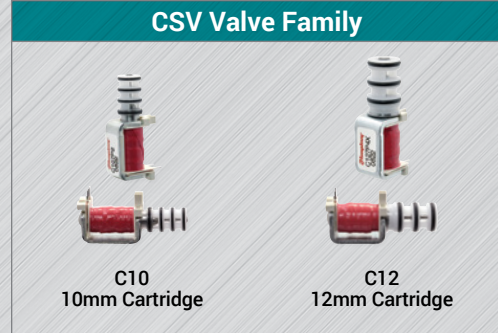
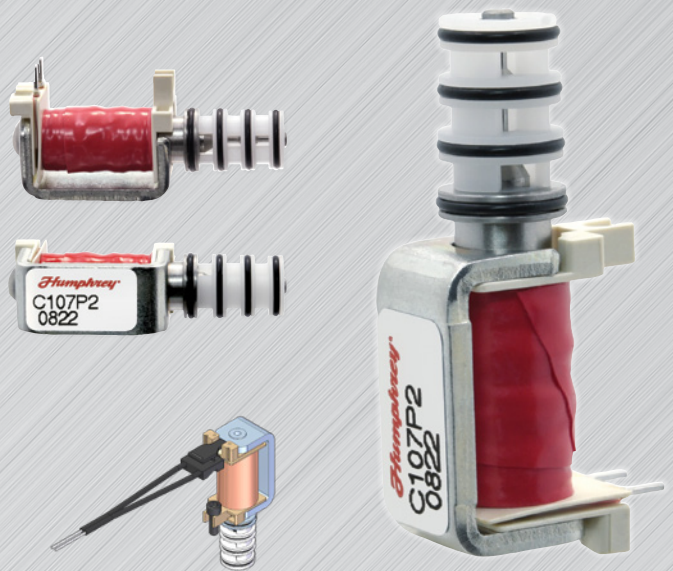


Humphrey 10mm CSV Solenoid Valve was purposely engineered for optimal flow and integration into compact spaces required from today's high tech device and instrument maker. Multi-purpose, cartridge design delivers wide functionality and porting flexibility, optimizing your miniature media control system.

Purchase the CSV only and design your own manifold porting solution, or let our Humphrey Engineered Solutions Team listen to your expectations and model one up for you.

FEATURES

- Maximized Flow Capacity
- Fast Response, Direct-Acting Design
- Designed for user flexibility and integration into compact devices or spaces
- Pressure Balanced – ready for use as 2- or 3-way
- Normally Closed or Normally Open
- Customizable for different power and flow requirements



Scan for additional product details on our online catalog.



How to Order

10mm CSV Cartridge Style Valve

C10	7A		2		C107A2
MODEL	ELECTRICAL ENTRY 7A: Axial Plug-In 7P: Perpendicular Plug-In	SEAL nil: NBR E: EPDM F: FKM	VOLTAGE 2: 12VDC 4: 24VDC	CONNECTOR nil: Plug-In Electrical Connector with 30cm lead wires included X: Plug-In Electrical Connector excluded or leads	ORDER EXAMPLE

10mm CSV Cartridge Style Valve

SPECIFICATIONS	10MM CSV
TYPE OF OPERATION	Direct Solenoid
FUNCTION	2- or 3-Way, NC or NO
MEDIA	Air, Oxygen, Inert Gas
PRESSURE RATING – PSI (BAR)	VAC-30 (2)
RESPONSE TIME (TYP)	9ms on, 6ms off
MAXIMUM FLOW @ 30 PSI	45 SLPM (.075 Cv)
AMBIENT TEMPERATURE	32-125°F (0-52°C)
POWER CONSUMPTION (WATTS)	
12V MODEL	2
24V MODEL	2
NORMAL RESISTANCE (OHMS)	
12V MODEL @72°F (22°C)	72
24V MODEL @72°F (22°C)	288
WETTED MATERIALS	Acetal, LCP, SST, NBR (std), EPDM or FKM
WEIGHT – OZ (GRAMS)	.33 (11)
DUTY CYCLE*	Valve designed for PWM or Hit and Hold control.
COMPLIANCE	RoHS, REACH

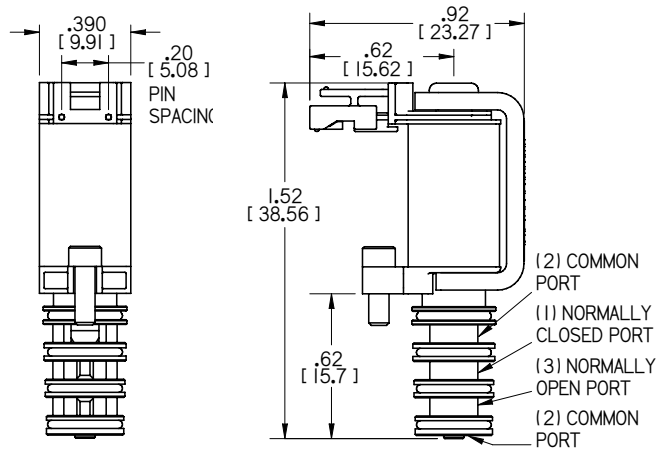
* Valve not rated for continuous duty at rated voltage.

49081 CONNECTOR HARNESS ASSY (Replacement)



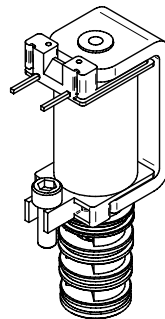
DIMENSIONAL DRAWINGS

Purposely designed to use one or both common ports for maximum manifold flexibility.



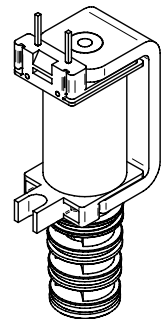
PERPENDICULAR PIN OPTION

Two 0.025" [0.64] Square Pins



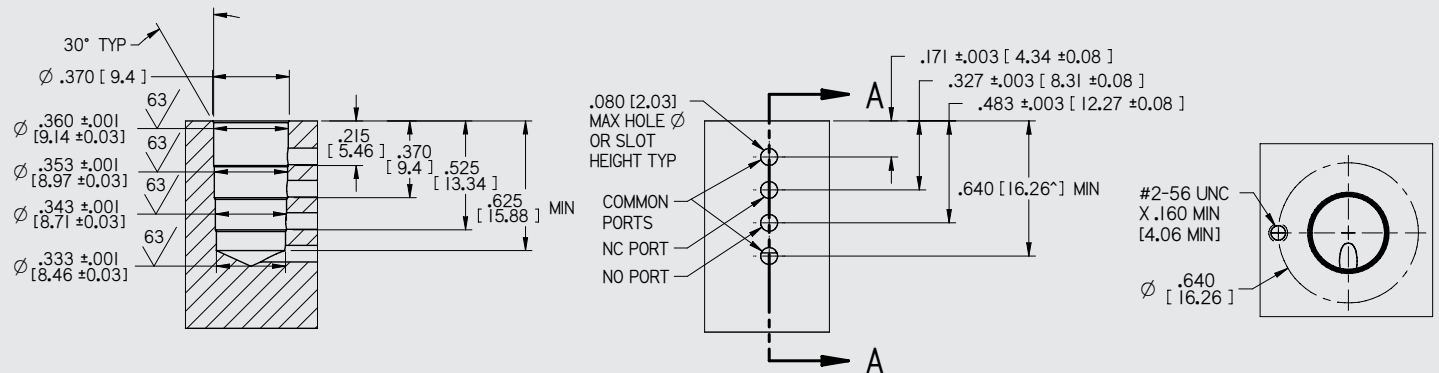
AXIAL PIN OPTION

Two 0.025" [0.64] Square Pins



MANIFOLD INTERFACE

^ In order to use the bottom common port, this dimension is needed.



Certified: ISO 9001:2015

HUMPHREY-PRODUCTS.COM

Humphrey Life Science Group
© 2022 Humphrey Products Company, Inc.
Printed in U.S.A.
LDS10CSV22

Humphrey Products Company
5070 East N Avenue
Kalamazoo, MI 49048 USA
E: lsg@Humphrey-Products.com
P: 1.800.477.8707



Humphrey

12mm CSV Cartridge Style Valve

Miniature 2- or 3-Way Pneumatic Solenoid Valve

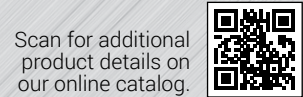
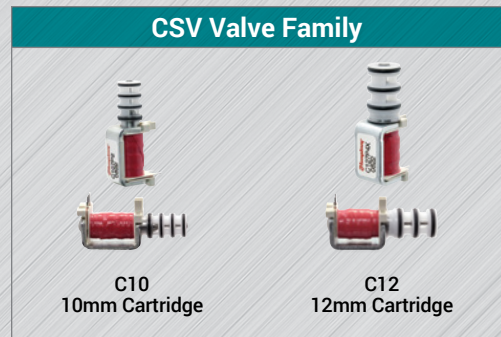
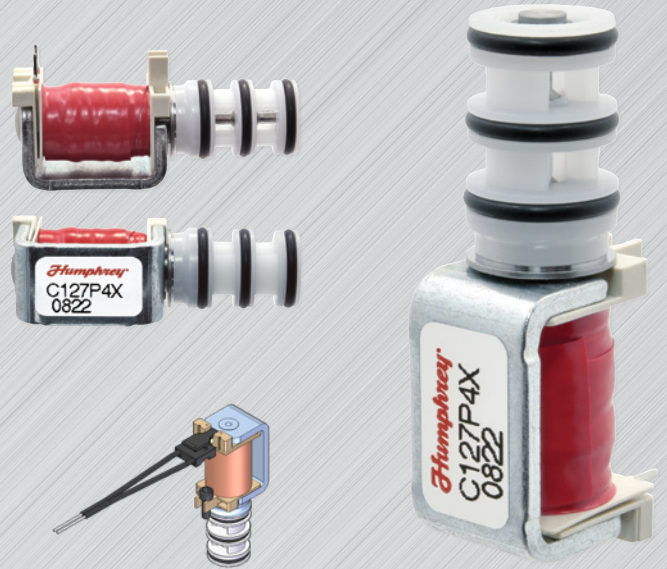


Humphrey 12mm CSV Solenoid Valve is purposely engineered for optimal flow and integration into compact spaces needed by today's high tech device and instrument makers. Multi-purpose, cartridge design delivers wide functionality and porting flexibility, optimizing your miniature media control system.

Purchase CSV only and integrate into your own solution, or let Humphrey Engineered Solutions model one up for you.

FEATURES

- Maximized Flow Capacity
- Fast Response, Direct-Acting Design
- Designed for user flexibility and integration into compact devices or spaces
- Pressure Balanced – ready for use as 2- or 3-way
- Normally Closed or Normally Open
- Customizable for different power and flow requirements.
- Consider miniature 10mm CSV occupying less space for lower flow requirements.



How to Order 12mm CSV Cartridge Style Valve

C12	7A		2		C127A2
MODEL	ELECTRICAL ENTRY 7A: Axial Plug-In 7P: Perpendicular Plug-In	SEAL nil: NBR F: FKM	VOLTAGE 2: 12VDC 4: 24VDC	CONNECTOR nil: Plug-In Electrical Connector with 30cm lead wires included X: Plug-In Electrical Connector excluded or leads	ORDER EXAMPLE

12mm CSV Cartridge Style Valve

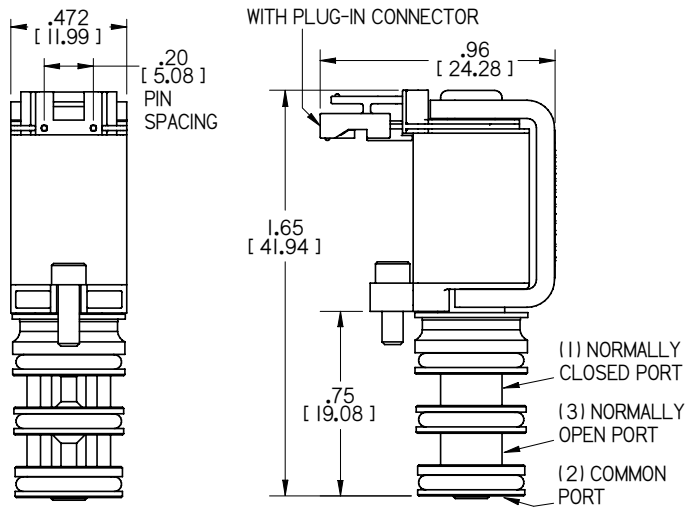
SPECIFICATIONS	12MM CSV
TYPE OF OPERATION	Direct Solenoid
FUNCTION	2- or 3-Way, NC or NO
MEDIA	Air, Oxygen, Inert Gas
PRESSURE RATING – PSI (BAR)	VAC-30 (2)
RESPONSE TIME (TYP)	9ms on, 6ms off
MAXIMUM FLOW @ 30 PSI	125 SLPM (.20 Cv)
AMBIENT TEMPERATURE	32-125°F (0-52°C)
POWER CONSUMPTION (WATTS)	
12V MODEL	5
24V MODEL	5
NORMAL RESISTANCE (OHMS)	
12V MODEL @72°F (22°C)	29
24V MODEL @72°F (22°C)	115
WETTED MATERIALS	Acetal, LCP, SST, NBR (std) or FKM
WEIGHT – OZ (GRAMS)	.68 (19.5)
DUTY CYCLE*	Valve designed for PWM or Hit and Hold control.
COMPLIANCE	RoHS, REACH

* Valve not rated for continuous duty at rated voltage.

49081 CONNECTOR HARNESS ASSY (Replacement)

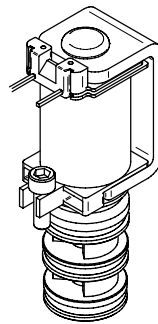


DIMENSIONAL DRAWINGS



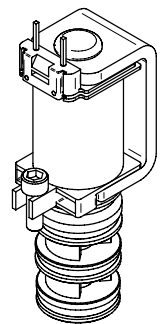
PERPENDICULAR PIN OPTION

Two 0.025" [0.64] Square Pins

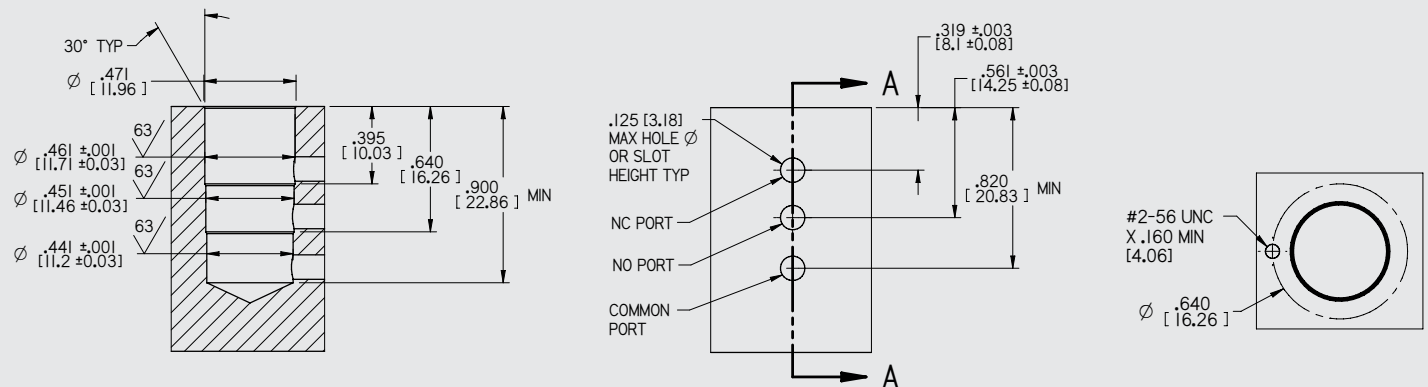


AXIAL PIN OPTION

Two 0.025" [0.64] Square Pins



MANIFOLD INTERFACE



Certified: ISO 9001:2015

HUMPHREY-PRODUCTS.COM

Humphrey Life Science Group
© 2022 Humphrey Products Company, Inc.
Printed in U.S.A.
LDS12CSV22

Humphrey Products Company
5070 East N Avenue
Kalamazoo, MI 49048 USA
E: lsg@Humphrey-Products.com
P: 1.800.477.8707



Humphrey