

# Fluid control valve(2/2way)

## 2KW Series (Internally piloted and normally opened )



### Ordering code

Ordering code of valves	<b>2KW</b>	<b>150</b>	<b>15</b>	<b>A</b>	<b>□</b>	<b>T</b>
	①	②	③	④	⑤	⑥

① Model	② Orifice size	③ Port size	④ Voltage	⑤ Electrical entry	⑥ Thread type
2KW: 2/2 way internally piloted and normally opened	150: Φ15mm	15: 1/2"	A: AC220V B: DC24V C: AC110V E: AC24V F: DC12V	Blank: Terminal I: Flying leads [Note]	T: NPT
	200: Φ20mm	20: 3/4"			
	250: Φ25mm	25: 1"			

[Note]: The wire length is 0.5m.

### Ordering code of accessories

Ordering code of accessories is the same as 2S series valve's, Please refer to P208 for details of ordering code.

### Specification

Model\Item	Port size [Note1]	Orifice size (Φmm)	Cv	Valid area or section (mm <sup>2</sup> )	Weight [Note2](g)	Operating pressure differentia		Proof pressure	
						MPa	psi	MPa	psi
2KW150-15	1/2"	15.0	5.50	100.0	730	Max: 0.7 Min: 0.05	Max: 100 Min: 10	1.5	220
2KW200-20	3/4"	20.0	9.50	170.0	960				
2KW250-25	1"	25.0	12.50	220.0	1210				

[Note1] NPT thread is available.

[Note2]The weight in the table is the terminal valve's weight, Flying leads valve's weight is 10g less than terminal's.

### Specification of coil

Valve type	Coil type	Power type	Frequency (Hz)	Voltage range	Electrical entry	Power Consumption (VA/W)	Insulation	Temp. rise(°C)
2KW150 2KW200 2KW250	CDA116 CLA116	AC	50	±15%	Terminal (CDA) Flying leads (CLA)	15.0VA	Class B	50
			60			11.0VA		40
		DC	-	±10%		6.5W		30

### Product feature

1. Indirect acting(Internal pilot) and normally opened type 2/2 way solenoid valve. Its can change direction quickly and has large flow.
2. It is compact, small and light weight. It is easy to install and dismantle;
3. The valve body is made of brass . The coil has a Heat resistance classification of Class B. The standard seal material is FPM-F.  
Please contact us if other material are required.
4. The protection class of the coil is IP65 and there is a choice for Flying leads or terminal electrical entry .

# Fluid control valve(2/2way)

## 2KW Series (Internally piloted and normally opened )

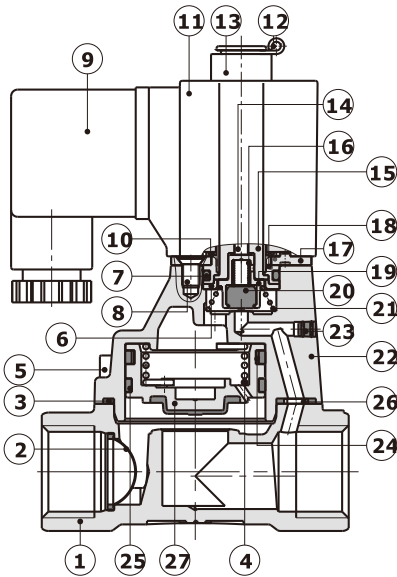
### Valve's specification

Acting		Internally piloted			
Initial state		Normally opened			
Adaptable fluid		Air, Water, Oil			
Viscosity limit		Under 20CST			
Ambient and fluid temperature(°C)		Water	Air	Oil	Ambient
	Max.	80	90	80	70
	Min.	1	-20 [Note1]	-10 [Note2]	-20

[Note1] Dew point: -20(°C) or less ; [Note2] 50CST or less.

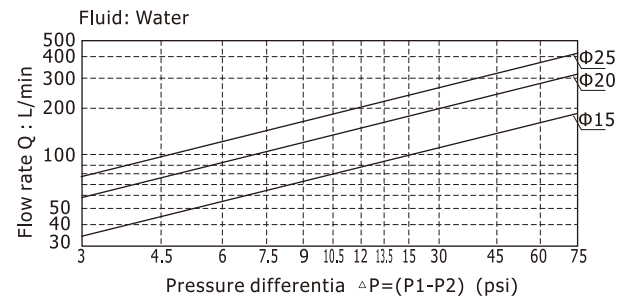
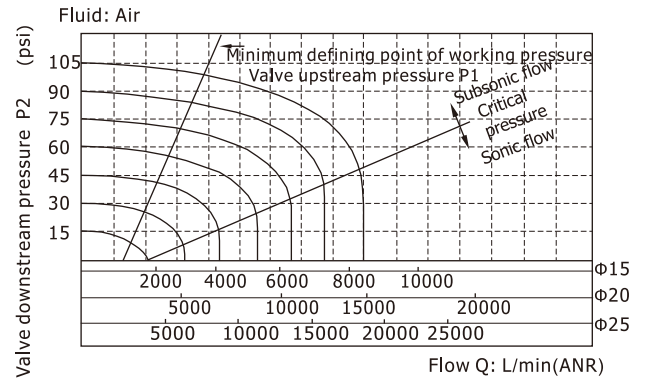
### Inner structure

#### 2KW150 (Terminal)



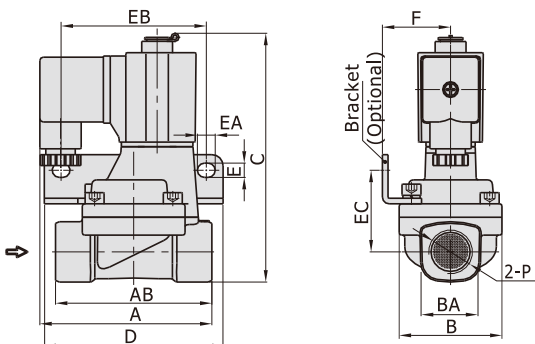
No.	Item
1	Body
2	Filter
3	O-ring
4	Spring
5	Screw
6	Bead flange
7	O-ring
8	Screw
9	Connector
10	Washer
11	Coil assembly
12	E Clip
13	Position ring
14	Mandril
15	Movable core
16	Spring
17	Fixed plate
18	Fixed cap
19	Airtight bushing
20	Airtight ring
21	Spring
22	Cover
23	Plug
24	Bonnet spring
25	Wear ring
26	Spacer
27	Piston

### Flow chart



### Dimensions

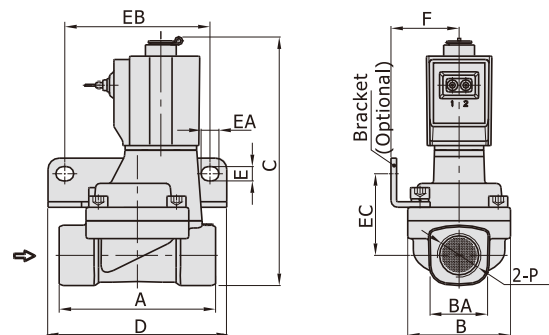
#### 2KW150~250 (Terminal)



Model\Item	A	AB	B	BA	C	D	E	EA	EB	EC	F	P
2KW150-15	77	70	46	27.5	112.5	80	6.4	8	65	36.5	30.5	1/2"
2KW200-20	78.5	82	53	33.5	121	90	6.4	8	75	40	34	3/4"
2KW250-25	81	92	59	40.5	129.5	95	6.4	8	80	44.5	36	1"

#### 2KW150~250(Flying leads)

[Unit: mm]



Model\Item	A	B	BA	C	D	E	EA	EB	EC	F	P
2KW150-15	70	46	27.5	112.5	80	6.4	8	65	36.5	30.5	1/2"
2KW200-20	82	53	33.5	121	90	6.4	8	75	40	34	3/4"
2KW250-25	92	59	40.5	129.5	95	6.4	8	80	44.5	36	1"