

Fluid control valve(2/2way)

2WA Series (Direct-acting and normally closed)



Ordering code

Ordering code of valves

2WA L 030 08 A □ T

① ② ③ ④ ⑤ ⑥ ⑦

① Model	② Pressure condition	③ Size series	④ Port size	⑤ Voltage	⑥ Electrical entry	⑦ Thread type
2WA: 2/2 way direct-acting and normally closed	X: Extra high pressure H: High pressure Blank: Standard L: Large volume T: Extra large volume	030: 030 Series	06: 1/8" 08: 1/4"	A: AC220V B: DC24V C: AC110V E: AC24V F: DC12V	Blank: Terminal I: Flying leads[Note]	T: NPT
		050: 050 Series	10: 3/8" 15: 1/2"			

[Note]: The wire length is 0.5m.

Ordering code of accessories

F-2WA030 LB

① ② ③

① Accessories code	② Valve type	③ Accessories type
F: Mounting accessories	2WA030: 030 Series valve 2WA050: 050 Series valve	LB: LB Type

Specification

Model\Item	Port size [Note1]	Orifice size (Φmm)	Cv	Valid area or section (mm ²)	Weight [Note2](g)	Max. operating pressure differentia		Proof pressure	
						MPa	psi	MPa	psi
2WAX030	-06 1/8"	1.5	0.10	1.8	245	3.0	450	5.0	750
	-08 1/4"								
2WAH030	-06 1/8"	2.0	0.18	3.0	245	2.0	300		
	-08 1/4"								
2WA030	-06 1/8"	3.0	0.33	6.0	245	1.0	150		
	-08 1/4"								
2WAL030	-06 1/8"	4.0	0.55	10.0	245	0.5	75		
	-08 1/4"								
2WAT030	-06 1/8"	6.0	1.10	12.0	245	0.1	15		
	-08 1/4"								
2WAX050	-10 3/8"	3.0	0.34	6.1	530	3.0	450		
	-15 1/2"								
2WAH050	-10 3/8"	4.0	0.55	10.0	530	2.0	300		
	-15 1/2"								
2WA050	-10 3/8"	5.0	0.83	15.0	530	1.0	150		
	-15 1/2"								
2WAL050	-10 3/8"	7.0	1.40	25.0	530	0.5	75		
	-15 1/2"								
2WAT050	-10 3/8"	10.0	2.20	40.0	530	0.1	15		
	-15 1/2"								

[Note1] NPT thread is available.

[Note2] The weight in the table is the terminal valve's weight, 2WA030 series grommet valve's weight is 10g less than terminal's. 2WA050series grommet valve's weight is 20g less than terminal's.

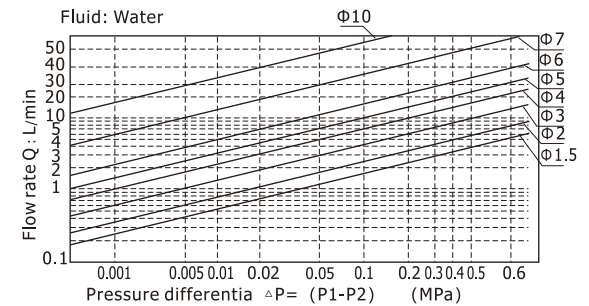
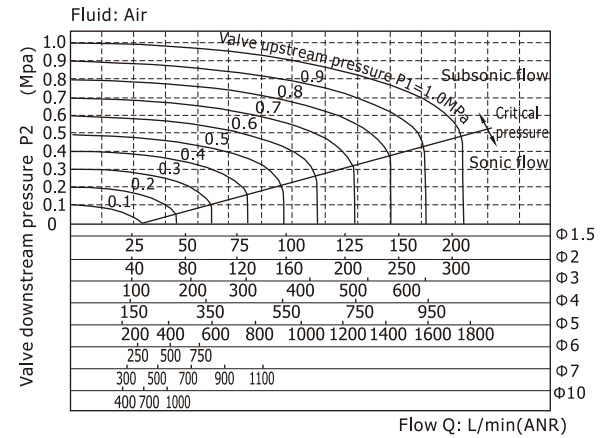
Fluid control valve(2/2way)

2WA Series (Direct-acting and normally closed)

Product feature

1. Direct acting and normally closed type 2/2 way fluid valve.
Its high sensibility allows it to change direction quickly;
2. It has wide pressure range, including extra high pressure (X), high pressure (H), standard , large volume(L) and extra large volume (T);
3. It is compact, small size and light weight. Easy to install and dismantle.
4. The valve body is made of brass . Its coil has a Heat resistance classification of Class F. The standard seal material is FPM-F.
Please contact us if other seal material are required.
5. The protection class of the coil is IP65 and there is a choice for grommet or terminal electrical entry .

Flow chart



Valve's specification

Acting	Direct acting				
Initial state	Normally closed				
Adaptable fluid	Air, Water, Oil				
Viscosity limit	Under 20CST				
Ambient and fluid temperature(°C)		Water	Air	Oil	Ambient
	Max.	80	90	80	70
	Min.	1	-20 [Note1]	-10 [Note2]	-20

[Note1] Dew point: -20(°C) or less.

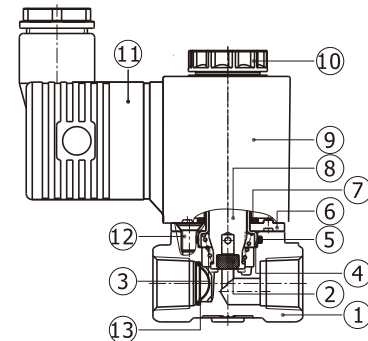
[Note2] 50CST or less.

Inner structure

2WA030(Terminal)

No.	Item	No.	Item
1	Body	8	Movable core
2	Airtight ring	9	Coil assembly
3	Spring	10	Coil nut
4	Steel bushing	11	Connector
5	O-ring	12	Screw
6	Fixed plate	13	Filter [Note]
7	O-ring		

[Note] Extra large volume type has no filter element.



Specification of coil

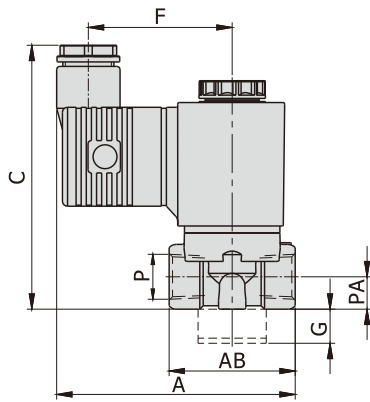
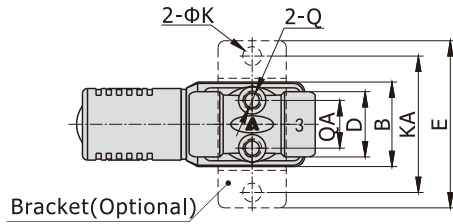
Valve type	Coil type	Power type	Frequency (Hz)	Voltage range	Electrical entry	Power Consumption (VA/W)	Insulation	Temp. rise(°C)		
2WA□030	CDA110 CLA110	AC	50	± 15%	Terminal (CDA)	10.0VA	Class F	35		
			60			8.0VA		30		
		DC	-	± 10%		6.5W		30		
2WA□050	CDA160 CLA160	AC	50	± 15%		Grommet (CLA)		25.0VA		60
			60					22.0VA		55
		DC	-	± 10%				12.0W		40

Fluid control valve(2/2way)

2WA Series (Direct-acting and normally closed)

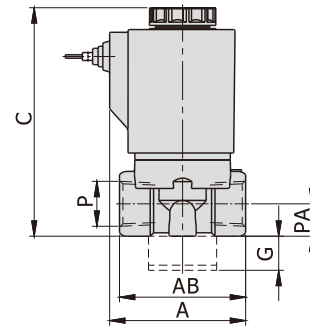
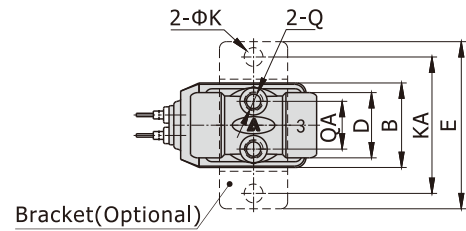
Dimensions

2WA□030 (Terminal)

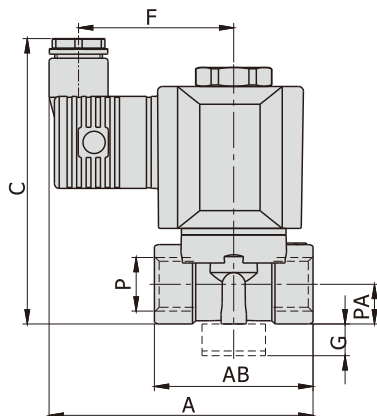
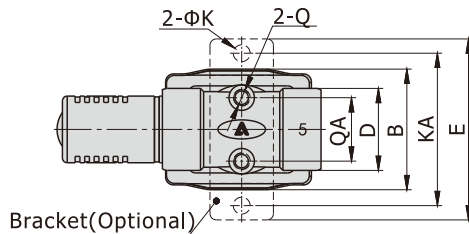


2WA□030(Flying leads)

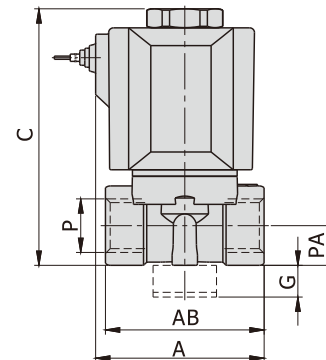
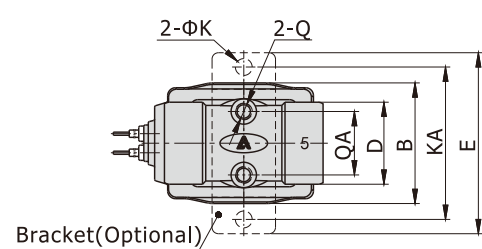
[Unit: mm]



2WA□050 (Terminal)



2WA□050(Flying leads)



Model\Item	A	AB	B	C	D	E	F	G	K	KA	P	PA	Q	QA	Model\Item	A	AB	B	C	D	E	G	K	KA	P	PA	Q	QA
2WA□030-06	70	37	25	77.5	19	49	42	10	5.5	40	1/8"	9.5	M5	13.5	2WA□030-06	40	37	25	67	19	49	10	5.5	40	1/8"	9.5	M5	13.5
2WAT□030-06	71.5	39.5	25	77.5	19	49	42	10	5.5	40	1/8"	9.5	M5	13.5	2WAT□030-06	41.5	39.5	25	67	19	49	10	5.5	40	1/8"	9.5	M5	13.5
2WA□030-08	70	37	25	77.5	19	49	42	10	5.5	40	1/4"	9.5	M5	13.5	2WA□030-08	40	37	25	67	19	49	10	5.5	40	1/4"	9.5	M5	13.5
2WAT□030-08	71.5	39.5	25	77.5	19	49	42	10	5.5	40	1/4"	9.5	M5	13.5	2WAT□030-08	41.5	39.5	25	67	19	49	10	5.5	40	1/4"	9.5	M5	13.5
2WA□050-10	83	50	38	90	26	57	49	10	5.5	48	3/8"	12.5	M5	19.5	2WA□050-10	53	50	38	81	26	57	10	5.5	48	3/8"	12.5	M5	19.5
2WAT□050-10	84	51	38	90	26	57	49	10	5.5	48	3/8"	12.5	M5	19.5	2WAT□050-10	54	51	38	81	26	57	10	5.5	48	3/8"	12.5	M5	19.5
2WA□050-15	83	50	38	90	26	57	49	10	5.5	48	1/2"	12.5	M5	19.5	2WA□050-15	53	50	38	81	26	57	10	5.5	48	1/2"	12.5	M5	19.5
2WAT□050-15	84	51	38	90	26	57	49	10	5.5	48	1/2"	12.5	M5	19.5	2WAT□050-15	54	51	38	81	26	57	10	5.5	48	1/2"	12.5	M5	19.5

Fluid control valve(2/2way)

2WA Series (Internally piloted and normally closed)



Ordering code

Ordering code of valves

2WA 150 15 A □ T

① ② ③ ④ ⑤ ⑥

① Model	② Orifice size	③ Port size	④ Voltage	⑤ Electrical entry	⑥ Thread type
2WA: 2/2 way internally piloted and normally closed	150: Φ 15mm	15: 1/2"	A: AC220V B: DC24V C: AC110V	Blank: Terminal I: Grommet [Note]	T: NPT
	200: Φ 20mm	20: 3/4"	E: AC24V F: DC12V		
	250: Φ 25mm	25: 1"			

[Note] The wire length is 0.5m.

Ordering code of accessories

F-2WA150 LB

① ② ③

① Accessories code	② Valve type	③ Accessories type
F: Mounting accessories	2WA150: 150 Series valve 2WA200: 200 Series valve 2WA250: 250 Series valve	LB: LB Type

Specification

Model\Item	Port size [Note1]	Orifice size (Φ mm)	Cv	Valid area or section (mm ²)	Weight [Note2](g)	Operating pressure differential		Proof pressure	
						Mpa	psi	Mpa	psi
2WA150-15	1/2"	15.0	5.50	100.0	575	Max: 1.0 Min: 0.05	Max: 150 Min: 10	1.5	220
2WA200-20	3/4"	20.0	9.50	170.0	735				
2WA250-25	1"	25.0	12.5	220.0	1035				

[Note1] NPT thread is available.

[Note2] The weight in the table is the terminal valve's weight, grommet valve's weight is 10g less than terminal's.

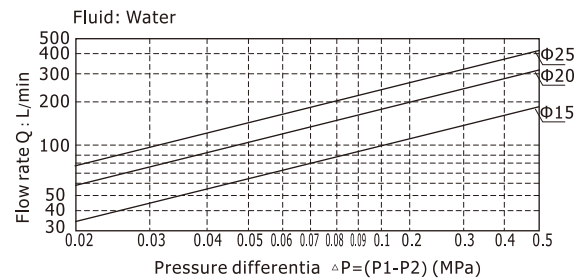
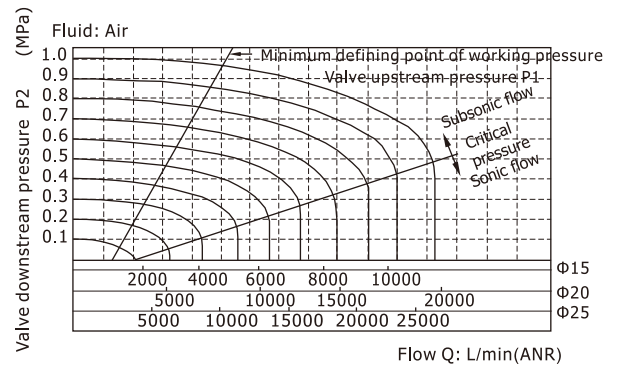
Fluid control valve(2/2way)

2WA Series (Internally piloted and normally closed)

Product feature

1. Indirect acting (Internal pilot) and normally closed type 2/2 way fluid valve. Its can change direction quickly and has large flow.
2. It is compact, small and light weight. Easy to install and dismantle;
3. The valve body is made of brass . The coil has a Heat resistance classification of Class F. The standard seal material is FPM-F. Please contact us if other seal material are required.
4. The protection class of the coil is IP65 and there is a choice for grommet or terminal electrical entry .

Flow chart



Valve's specification

Acting		Direct acting			
Initial state		Normally closed			
Adaptable fluid		Air, Water, Oil			
Viscosity limit		Under 20CST			
Ambient and fluid temperature(°C)		Water	Air	Oil	Ambient
	Max.	80	90	80	70
	Min.	1	-20 [Note1]	-10 [Note2]	-20

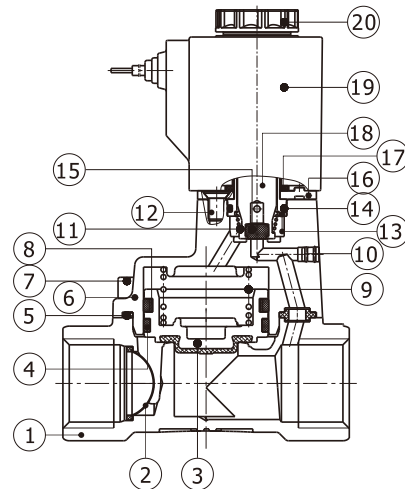
[Note1] Dew point: -20(°C) or less.

[Note2] 50CST or less.

Inner structure

2WA150(Grommet)

No.	Item	No.	Item
1	Body	11	Spring
2	Filter	12	Screw
3	Piston	13	Steel bushing
4	Wear ring	14	O-ring
5	O-ring	15	Airtight ring
6	Cover	16	Fixed plate
7	Screw	17	O-ring
8	Spring	18	Movable core
9	Spring	19	Coil assembly
10	Spacer	20	Coil nut



Specification of coil

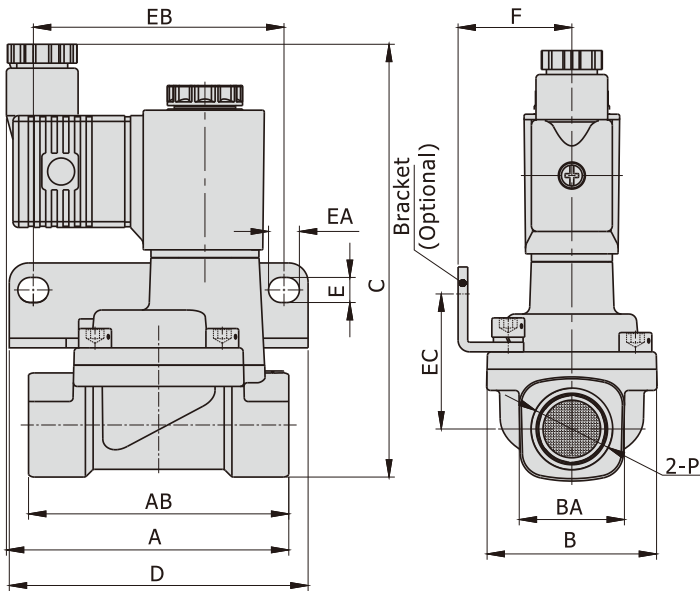
Valve type	Coil type	Power type	Frequency (Hz)	Voltage range	Electrical entry	Power Consumption (VA/W)	Insulation	Temp. rise(°C)
2WA150 2WA200 2WA250	CDA110 CLA110	AC	50	±15%	Terminal (CDA) Grommet (CLA)	10.0VA	Class F	35
			60			8.0VA		30
		DC	-	±10%		6.5W		30

Fluid control valve(2/2way)

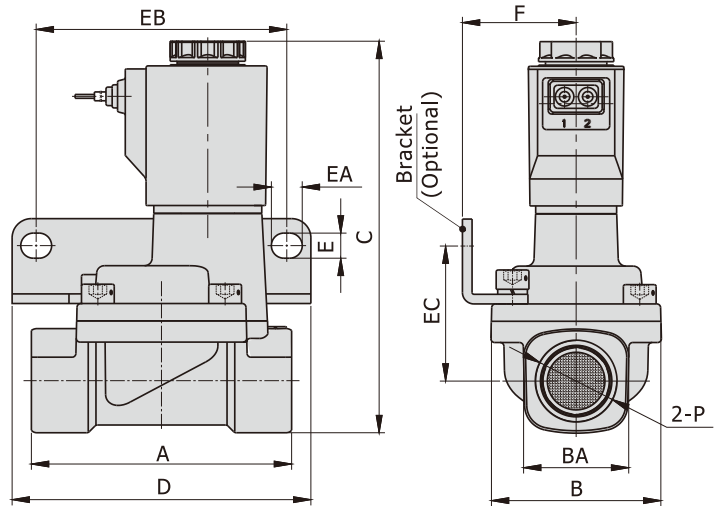
2WA Series (Internally piloted and normally closed)

Dimensions

Terminal



Grommet



Model\Item	A	AB	B	BA	C	D	E	EA	EB	EC	F	P
2WA150-15	73.5	67.5	44	27.5	112	77.5	6.5	8	65	35	29.5	1/2"
2WA200-20	75.5	79.5	51	33	119	87.5	6.5	8	75	38	33	3/4"
2WA250-25	77.5	90	57	40	126	93	6.5	8	80	42	35	1"

Model\Item	A	B	BA	C	D	E	EA	EB	EC	F	P
2WA150-15	67.5	44	27.5	102	77.5	6.5	8	65	35	29.5	1/2"
2WA200-20	79.5	51	33.5	109	87.5	6.5	8	75	38	33	3/4"
2WA250-25	90	57	40.5	116	93	6.5	8	80	42	35	1"