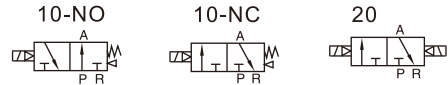
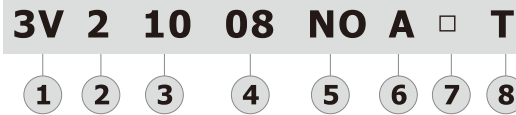


3V200 Series



Ordering code



① Model

3V: Solenoid valve
(3/2 way)

② Code

2: 200 Series

③ Valve type

10: Single solenoid
20: Double solenoid

④ Port size

06: 1/8"
08: 1/4"

⑤ Acting type

NC: Normally closed
NO: Normally opened

⑥ Standard voltage

A: AC220V
B: DC24V
C: AC110V
E: AC24V
F: DC12V

⑦ Electrical entry

Blank: Terminal
I: Flying leads[Note]

[Note]: The wire length is 0.5m.

⑧ Thread type

T: NPT

Please refer to P51 for manifold specification and the order way.

Specification

Model	3V210-06	3V220-06	3V210-08	3V220-08
Fluid	Air(to be filtered by 40μm filter element)			
Acting	Internal pilot			
Port size [Note1]	In=Out=1/8"		In=Out=1/4"	
Orifice size [Note3]	3V210-08,3V220-08:17.0mm ² (Cv=1.0)			
Valve type	3 port 2 position			
Lubrication [Note2]	Not required			
Operating pressure	21~114psi(0.15~0.8MPa)			
Proof pressure	175psi(1.2MPa)			
Temperature	-20~70°C			
Material of body	Aluminum alloy			

[Note 1] NPT thread is available.

[Note 2] Once lubricated air is used, continue with same medium to optimise valve life span.
Lubricants like ISO VG32 or equivalent are recommended.

[Note 3] Equivalent orifice S and Cv are all calculated from the flow rate data.

Product feature

1. Structure in sliding column mode: good tightness and sensitive reaction.
2. Double control solenoid valves have memory function.
3. Internal hole adopts special processing technology which has little attrition friction, low start pressure and long service life.
4. No need to add oil for lubrication.
5. Affiliated manual devices are equipped to facilitate installation and debugging.
6. Several standard voltage grades are optional.
7. Integrate with the manifold to save installation space.

3V200 Series

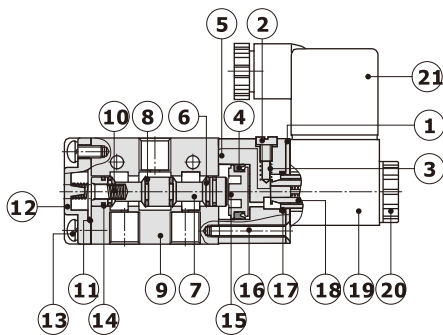
Coil specification

Item	Specification				
Standard voltage	AC220V	AC110V	AC24V	DC24V	DC12V
Scope of voltage	AC: ±15%		DC: ±10%		
Power consumption	4.5VA	4.5VA	5.0VA	3.0W	2.5W
Protection	IP65(DIN40050)				
Temperature classification	B Class				
Electrical entry	Terminal, Flying leads				
Activating time	0.05 sec and below				
Max. frequency [Note 1]	5 cycle/sec				

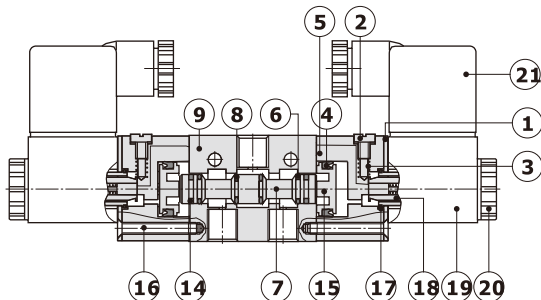
[Note1] The maximum actuation frequency is in the no-load state.

Inner structure

3V210

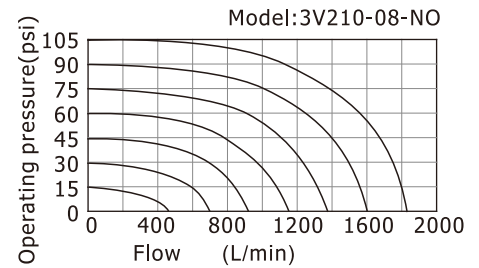


3V220



No.	Item	No.	Item	No.	Item
1	Fixed plate	8	O-ring	15	Piston
2	Manual override	9	Body	16	Pilot screw
3	Override spring	10	Spool spring	17	O-ring
4	Piston O-ring	11	Bottom cover gasket	18	Armature
5	Pilot body	12	Bottom cover	19	Coil
6	Spool packing	13	Screw	20	Coil nut
7	Spool	14	Wear ring	21	Connector

Flow chart



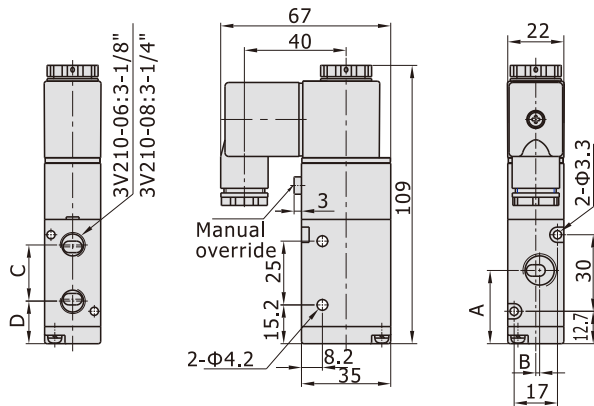
The data in flow rate chart are obtained from AirTAC lab.

Solenoid valve(3/2 way)

3V200 Series

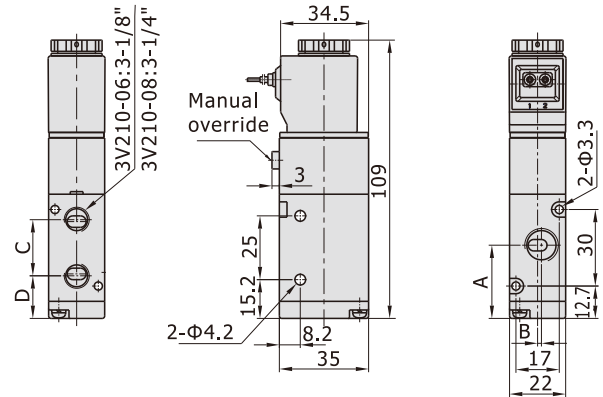
Dimensions

3V210(Terminal)



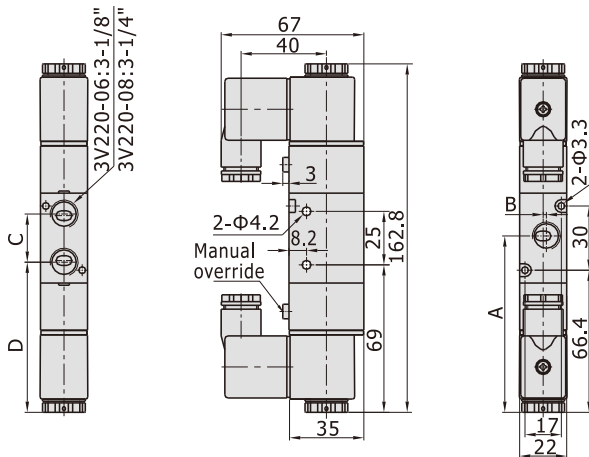
3V210(Flying leads)

[Unit: mm]

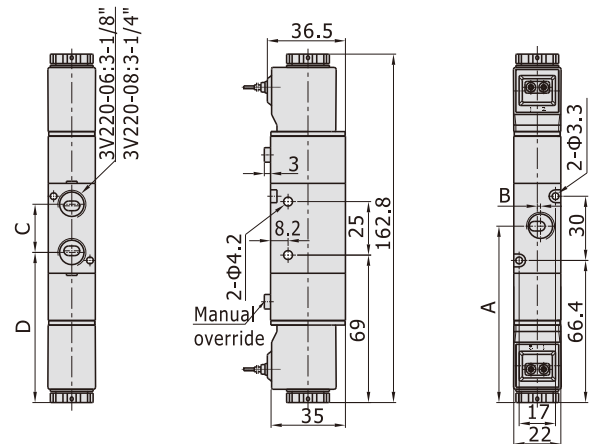


Model\Item	A	B	C	D
3V210-06	27.7	0	22	16.7
3V210-08	28.7	1.5	22.5	16.5

3V220(Terminal)



3V220(Flying leads)



Model\Item	A	B	C	D
3V220-06	81.4	0	22	70.4
3V220-08	82.4	1.5	22.5	70.2