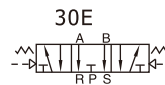
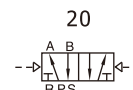
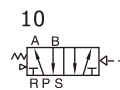


Air valve(5/2 way, 5/3 way)

4A400 Series



Ordering code

4A 4 10 15 T

① ② ③ ④ ⑤

① Model

4A: Air valve
(5/2, 5/3 way)

② Code

4: 400 Series

③ Valve type

10: Single air control 5/2 way
 20: Double air control 5/2 way
 30C: Double air control 5/3 way
 closed center
 30E: Double air control 5/3 way
 exhaust center
 30P: Double air control 5/3 way
 pressure center

④ Port size

15: 1/2"

⑤ Thread type

T: NPT

Please refer to P126 for manifold specification and the order way.

Specification

Model	4A410-15	4A420-15	4A430C-15	4A430E-15	4A430P-15
Fluid	Air(to be filtered by 40μm filter element)				
Acting	Exterior control				
Port size [Note1]	In=Out=Exhaust=1/2"				
Orifice size [Note4]	4A410-15,4A420-15:48.0mm ² (Cv=2.82) 4A430C-15:40.0mm ² (Cv=2.35)				
Valve type	5 port 2 position		5 port 3 position		
Operating pressure	21~114psi(0.15~0.8MPa)				
Proof pressure	175psi(1.2MPa)				
Temperature	-20~70 °C				
Material of body	Aluminum alloy				
Lubrication [Note2]	Not required				
Max. frequency [Note3]	3 cycle/sec				
Weight (g)	555	685			735

[Note1] NPT thread is available.

[Note2] Once lubricated air is used, continue with same medium to optimize valve life span.
Lubricants like ISO VG32 or equivalent are recommended.

[Note3] The maximum actuation frequency is in the no-load state.

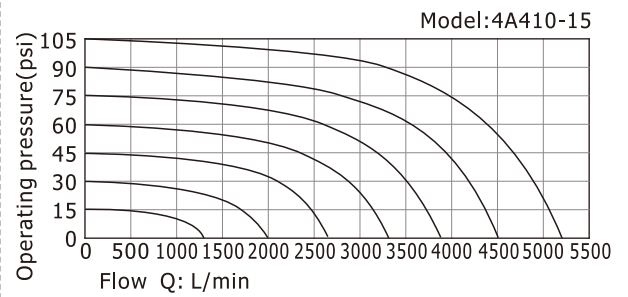
[Note4] Equivalent orifice S and Cv are all calculated from the flow rate data.

4A400 Series

Product feature

1. Structure in sliding column mode: good tightness and sensitive reaction.
2. Three position air valves have three kinds of central function for your choice.
3. Double air control valves have memory function.
4. Internal hole adopts special processing technology which has little attrition friction, low start pressure and long service life.
5. No need to add oil for lubrication.
6. Integrate with the manifold to save installation space.

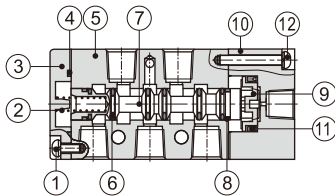
Flow chart



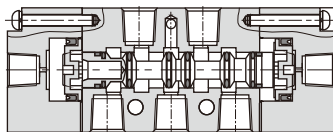
The data in flow rate chart are obtained from AirTAC lab.

Inner structure

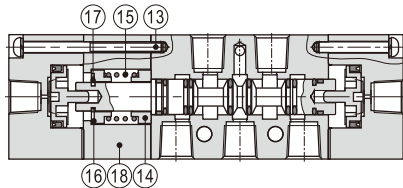
4A410



4A420



4A430C



No.	Item	No.	Item	No.	Item
1	Screw	7	Spool	13	Screw
2	Spring	8	Wear ring	14	Spring holder
3	Bottom cover	9	Piston	15	Return Spring
4	Bottom cover gasket	10	Pilot body	16	Spring holder
5	Body	11	O-ring	17	E Clip
6	O-ring	12	Screw	18	Side cover

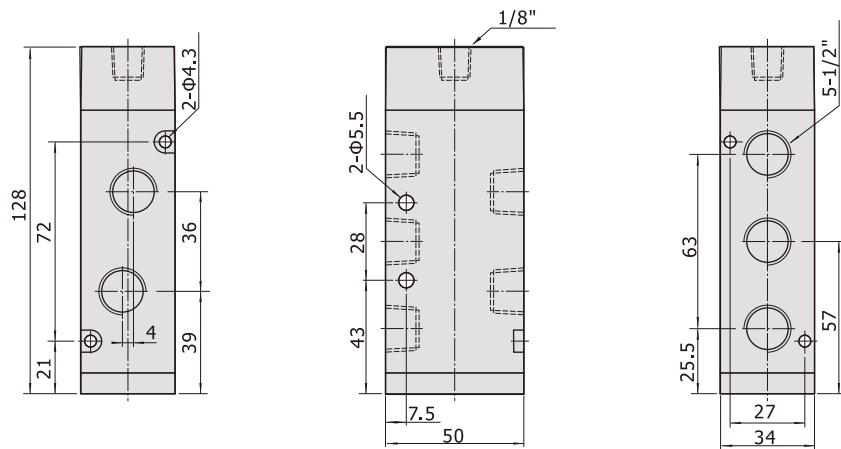
Air valve(5/2 way, 5/3 way)

4A400 Series

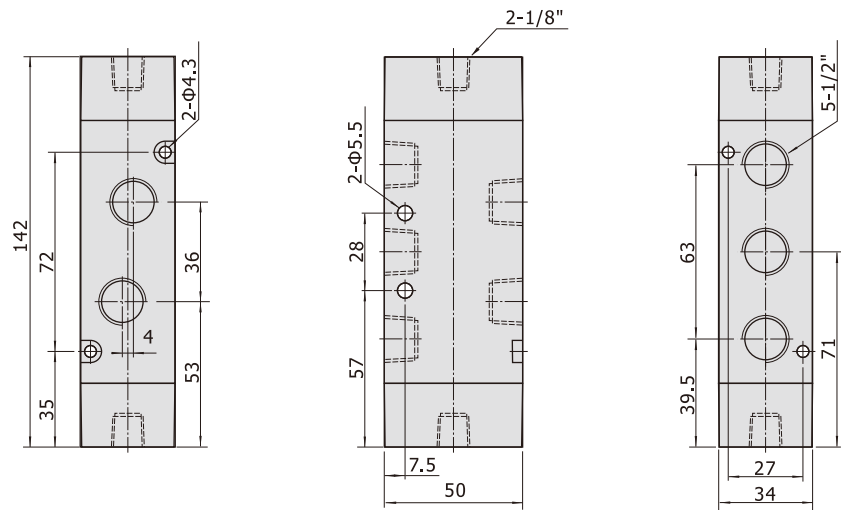
Dimensions

4A410

[Unit: mm]



4A420



4A430

