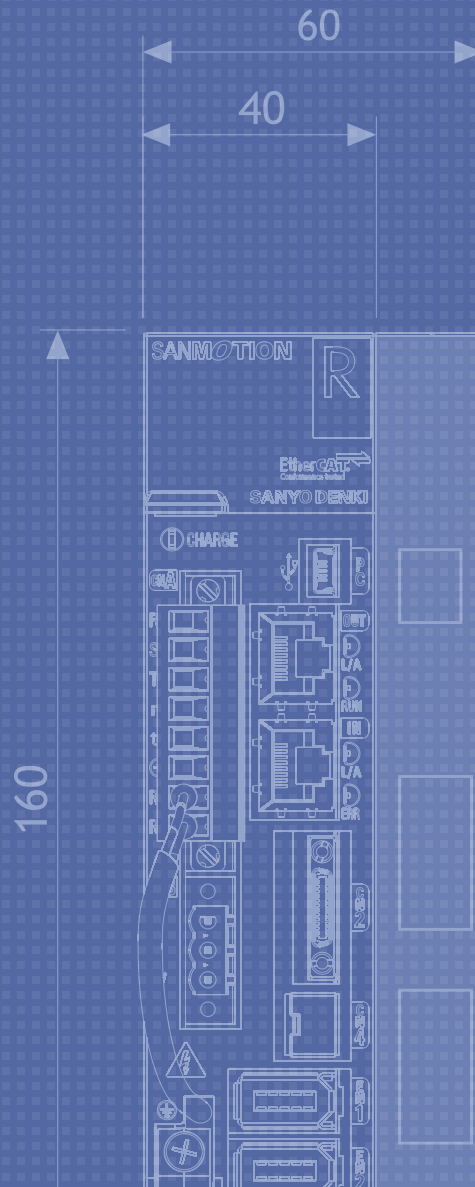
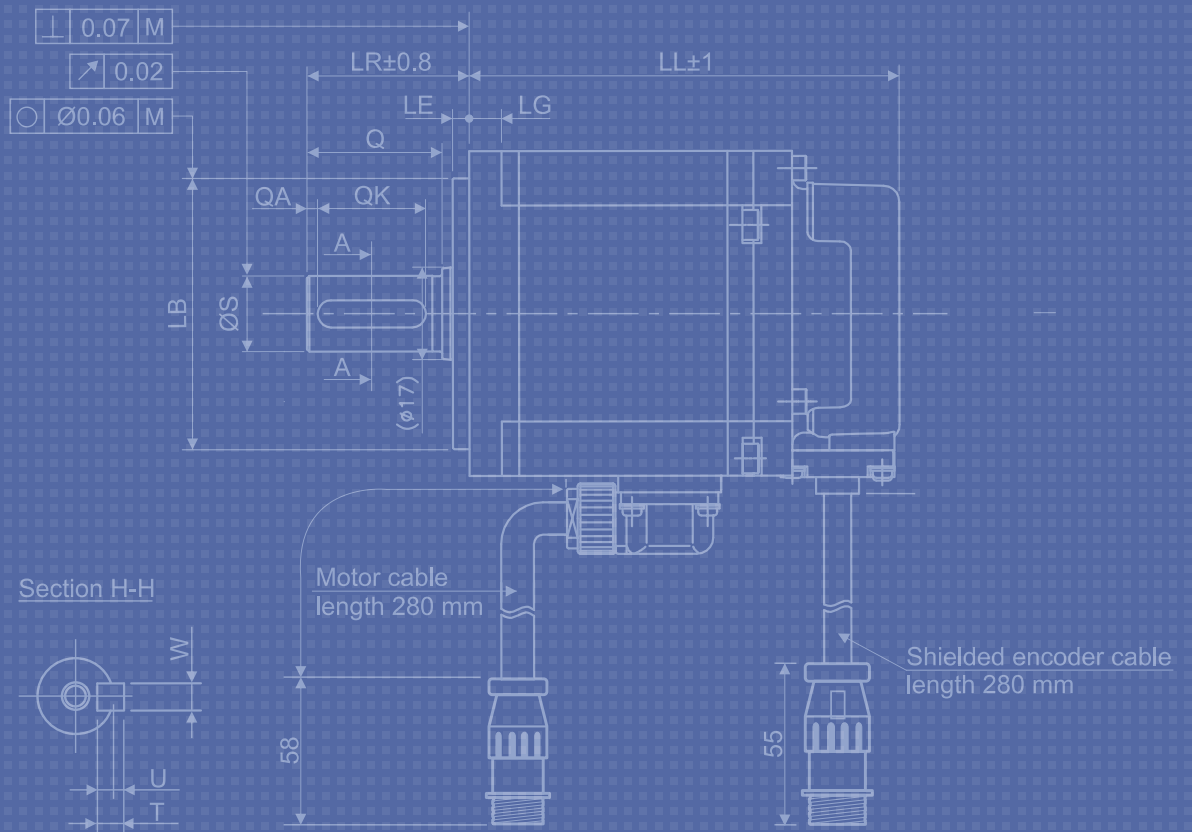


SERVO SYSTEMS





SERVO SYSTEMS



INDEX

48 VDC SERVOAMPLIFIERS	245
230 VAC SERVOAMPLIFIERS	253
400 VAC SERVOAMPLIFIERS	263
48 VDC SERVOMOTORS - INCREMENTAL ENCODER	268
230 VAC SERVOMOTORS - BATTERY LESS MULTI-TURN ABSOLUTE ENCODER	272
230 VAC SERVOMOTORS - INCREMENTAL ENCODER	279
400 VAC SERVOMOTORS - INCREMENTAL ENCODER	290

Servoamplifiers: 3 series, 17 models



1 48 VDC SERVOAMPLIFIERS



EtherCAT - single axis

- 48 VDC main power supply
- 24 VDC control power supply
- Amplifier Capacity: 40 A
- Speed Frequency response 800 Hz
- Built-in Dynamic Brake
- Built-in Regenerative Resistor
- Safe Torque Off (STO) - SIL 2 PL=d
- Two encoder inputs
- 6 Inputs / 2 Outputs
- Seven segments display monitor
- Protection functions

EtherCAT - multi axes

- 48 VDC main power supply
- 24 VDC control power supply
- Amplifier Capacity: 40 A
- Speed Frequency response 800 Hz
- Optional External Regenerative Resistor
- Safe Torque Off (STO) - SIL 3 PL=e
- 8 Inputs / 8 Outputs
- Led display monitor
- Protection functions

Pulse Train

- 48 VDC main power supply
- 5 VDC control power supply
- Amplifier Capacity: 40 A
- Speed Frequency response 1,2 KHz
- Built-in Dynamic Brake
- 8 Inputs / 8 Outputs
- Led display monitor
- Protection functions



2 230 VAC SERVOAMPLIFIERS



EtherCAT

- 230 VAC power supply
- Amplifier capacity: 30 A, 50 A, 100 A
- Speed Frequency response 2,2 KHz
- Built-in Dynamic Brake
- Built-in Regenerative Resistor
- Safe Torque Off (STO) - SIL 3 PL=e
- Advanced Safety Functions available: STO, SS1, SS2, SLS, SOS, SBC, SSM
- Two encoder inputs
- 7 Inputs / 2 Outputs

Pulse Train - Analog Input

- 230 VAC power supply
- Amplifier capacity: 20 A, 30 A, 50 A, 100 A
- Speed Frequency response 2,2 KHz
- Built-in Dynamic Brake
- Optional External Regenerative Resistor
- Safe Torque Off (STO) - SIL 3 PL=e
- 8 Inputs / 8 Outputs



3 400 VAC SERVOAMPLIFIERS



EtherCAT

- 400 VAC power supply
- Amplifier capacity: 50 A, 100 A
- Speed Frequency response 2,2 KHz
- Safe Torque Off (STO) - SIL 3
- Two encoder inputs

Pulse Train - Analog Input

- 400 VAC power supply
- Amplifier capacity: 50 A, 100 A, 150 A
- Speed Frequency response 2,2 KHz
- Safe Torque Off (STO) - SIL 3



Main features

- Simultaneous access to all parameters through the “Group/Page” Interface.
- Intuitive graphic interface for I/O settings.
- Advanced jogging for mechanics testing.
- Real-time autotuning function.
- Efficient warnings control system for real-time diagnosis.
- Embedded oscilloscope for results checking.
- STO function available.

Table of contents

SERVOAMPLIFIERS

	DRIVE TYPE	MAIN POWER SUPPLY VOLTAGE (V)	STO (Safe Torque Off)	DIMENSIONS (mm)	PAGE
48 VDC SERVOAMPLIFIERS					
EtherCAT					
RS2K04A2HL5	EtherCAT	48 VDC	YES	40x160x85	246
RF2K24A0HL5	EtherCAT	48 VDC	YES	50x200x130	248
Step/Dir					
RF2G21A0A00	Step/Dir analog	48 VDC	NO	30x116x70	250
230 VAC SERVOAMPLIFIERS					
EtherCAT					
RS3A03A2HA4W00P	EtherCAT	230 VAC	YES	50 x 160 x 130	254
RS3A05A2HA4W00P	EtherCAT	230 VAC	YES	85x160x130	254
RS3A10A2HA4W00P	EtherCAT	230 VAC	YES	100x235x220	254
RS3A03A2HAE (ADVANCED SAFETY)	EtherCAT	230 VAC	ADVANCED FUNCTIONS	60x160x130	256
Step/Dir - Analog Input					
RS3A03A0AL0W00P	Step/Dir analog	230 VAC	NO	50x160x130	258
RS3A03A0AL2 (STO)	Step/Dir analog	230 VAC	YES	50x160x130	260
RS3A05A0AA2 (STO)	Step/Dir analog	230 VAC	YES	85x160x130	260
RS3A10A0AA2 (STO)	Step/Dir analog	230 VAC	YES	100x235x220	260
400 VAC SERVOAMPLIFIERS					
EtherCAT					
RS3C05A2HA4	EtherCAT	400 VAC	YES	100x235x235	264
RS3C10A2HA4	EtherCAT	400 VAC	YES	175x235x235	264
RS3C15A2HL4	EtherCAT	400 VAC	YES	220x375x217	264
Step/Dir - Analog Input					
RS3C05A0AA2	Step/Dir analog	400 VAC	YES	100x235x235	266
RS3C10A0AA2	Step/Dir analog	400 VAC	YES	175x235x235	266
RS3C15A0AL2	Step/Dir analog	400 VAC	YES	220x375x217	266

2 Families: VDC servomotors and VAC servomotors, 4 series with 38 models

1 48 VDC SERVOMOTORS - INCREMENTAL ENCODER



- Nominal Power: 50W, 100W, 200W
- Nominal Torque: From 0,159 Nm to 0,637 Nm
- Maximum torque: From 0,54 Nm to 1,5 Nm
- Encoder resolution: 131072 imp/rev (17 bit)



2 230 VAC SERVOMOTORS - BATTERY LESS MULTI-TURN ABSOLUTE ENCODER



- Nominal Power: 100W, 200W, 400W, 750W, 1000W, 3000W
- Nominal Torque: From 0,286 Nm to 7,2 Nm
- Maximum torque: From 1,18 Nm to 20,5 Nm
- Single-turn Encoder resolution: 131072 imp/rev (17 bit)
- Multi-turn Encoder resolution: 65537 turns



3 230 VAC SERVOMOTORS - INCREMENTAL ENCODER



- Nominal Power: 100W, 200W, 400W, 750W, 1000W, 1500W, 1800W, 2000W, 3000W
- Nominal Torque: From 0,318 Nm to 9,7 Nm
- Maximum torque: From 1,18 Nm to 21,4 Nm
- Encoder resolution: 131072 imp/rev (17 bit)



4 400 VAC SERVOMOTORS - INCREMENTAL ENCODER



- Nominal Power: 3500W, 4500W, 15000W
- Nominal Torque: From 1700 Ncm to 9500 Ncm
- Maximum torque: From 4900 Ncm to 21500 Ncm
- Encoder resolution: 131072 imp/rev (17 bit)



Table of contents

SERVOMOTORS

	NOMINAL POWER (W)	NOMINAL SPEED (rpm)	MAX SPEED (rpm)	NOMINAL TORQUE (Nm)	STALL TORQUE (Nm)	MAX TORQUE (Nm)	INERTIA (Kg x m ²)	FLANGE SIZE (mm)	PAGE
DC SERVOMOTORS									
48 VDC Servomotors Incremental Encoder									
R2GD04005FXH1CM	50	3000	6000	0.159	0.167	0.54	0.0376x10 ⁻⁴	40	269
R2GD06010DXH11M	100	3000	5000	0.318	0.353	0.84	0.117x10 ⁻⁴	60	270
R2GD06020DXH11M	200	3000	4500	0.637	0.637	1.5	0.219x10 ⁻⁴	60	271
AC SERVOMOTORS									
230 Vac Servomotors Battery Less Multi-turn Absolute Encoder									
R2AA04010FXR1CM	100	3000	6000	0.286	0.318	1.18	0.0627x10 ⁻⁴	40	273
R2AA04010FCR1CM6	100	3000	6000	0.286	0.318	1.18	0.0627x10 ⁻⁴	40	273
R2AA06020FXR11M	200	3000	6000	0.637	0.686	2.20	0.219x10 ⁻⁴	60	274
R2AA06020FCR11M	200	3000	6000	0.637	0.686	2.20	0.219x10 ⁻⁴	60	274
R2AA06040FXR11M	400	3000	6000	1.270	1.370	4.80	0.412x10 ⁻⁴	60	275
R2AA06040FCR11M6	400	3000	6000	1.270	1.370	4.80	0.412x10 ⁻⁴	60	275
R2AA08075FXR11M	750	3000	6000	2.390	2.550	8.50	1.820x10 ⁻⁴	80	276
R2AA08075FCR11M	750	3000	6000	2.390	2.550	8.50	1.820x10 ⁻⁴	80	276
R2AAB8100HXR29M	1000	3000	3000	3.180	3.920	11.60	2.383x10 ⁻⁴	86	277
R2AAB8100HCR29M	1000	3000	3000	3.180	3.920	11.60	2.383x10 ⁻⁴	86	277
Q2AA10150BXR48M	1500	2000	2000	7.2	7.7	20.5	8.0x10 ⁻⁴	100	278
Q2AA10150BCR48M	1500	2000	2000	7.2	7.7	20.5	8.0x10 ⁻⁴	100	278
230 VAC Servomotors Incremental Encoder									
R2AA04010FXH1CM	100	3000	6000	0.318	0.318	1.18	0.0627x10 ⁻⁴	40	280
R2AA04010FCH1CM6	100	3000	6000	0.286	0.318	1.18	0.0627x10 ⁻⁴	40	280
R2AA06020FXH11M	200	3000	6000	0.637	0.686	2.20	0.219x10 ⁻⁴	60	281
R2AA06020FCH11M	200	3000	6000	0.637	0.686	2.20	0.219x10 ⁻⁴	60	281
R2AA06040FXH11M	400	3000	6000	1.270	1.370	4.80	0.412x10 ⁻⁴	60	282
R2AA06040FCH11M6	400	3000	6000	1.15	1.370	4.80	0.412x10 ⁻⁴	60	282
R2AA08075FXH11M	750	3000	6000	2.390	2.550	8.50	1.820x10 ⁻⁴	80	283
R2AA08075FCH11M	750	3000	6000	2.390	2.550	8.50	1.820x10 ⁻⁴	80	283
R2AAB8100HXH29M	1000	3000	3000	3.180	3.920	11.60	2.383x10 ⁻⁴	86	284
R2AAB8100HCH29M	1000	3000	3000	3.180	3.920	11.60	2.383x10 ⁻⁴	86	284
Q2AA10150BXH48M	1500	2000	2000	7.2	7.7	20.5	8x10 ⁻⁴	100	285
Q2AA10150BCH48M	1500	2000	2000	7.2	7.7	20.5	8x10 ⁻⁴	100	285
R1AA10150FXH00M	1500	3000	6000	4.8	4.9	15	2x10 ⁻⁴	100	286
R1AA10150FCH00M	1500	3000	6000	4.8	4.9	15	2x10 ⁻⁴	100	286
R2AA13180HXH00M	1800	2000	3500	8.6	10.0	22.0	9x10 ⁻⁴	130	287
R2AA13180HCH00M	1800	2000	3500	8.6	10.0	22.0	9x10 ⁻⁴	130	287
R2AA13200LXHW0M	2000	2000	3000	9.5	12.0	24.0	12.2x10 ⁻⁴	130	288
R2AA13200LCHW0M	2000	2000	3000	9.5	12.0	24.0	12.2x10 ⁻⁴	130	288
R1AA13300FXH00M	3000	3000	6000	9.7	9.7	29.0	7x10 ⁻⁴	130	289
R1AA13300FCH00M	3000	3000	6000	9.7	9.7	29.0	7x10 ⁻⁴	130	289
400 VAC Servomotors Incremental Encoder									
R2CA18350LXH00M	3500	2000	3000	17.0	22.0	49.0	40x10 ⁻⁴	180	291
R2CA18450HXH00M	4500	2000	3500	21.5	30.0	75.0	50x10 ⁻⁴	180	292
R2CA2215KVXH00M	15.000	1500	2000	95.0	95.0	215	288x10 ⁻⁴	220	293

SERVO SYSTEMS

48 VDC SERVOAMPLIFIERS

● For cable options please see the table at the end of the section.



48 VDC SERVOAMPLIFIERS

R Advanced series - 48VDC EtherCAT servo drive with STO

FIVE DIGIT DISPLAY: it allows to monitor amplifier and EtherCAT Network.

Rs232 PC INTERFACE: set up and monitor by SanMotion Motor Setup

I/O CONNECTOR: 6 inputs and 2 outputs user configurable.

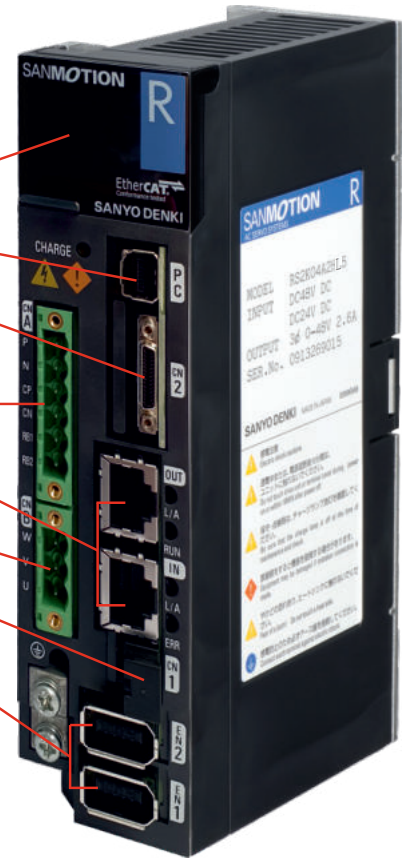
INPUT POWER SUPPLY CONNECTORS: two separated power supplies. One for the control board (24VDC), and one for the power stage (48VDC). Built in protection against overload and input overvoltage.

EtherCAT INTERFACE CONNECTORS: RJ45

MOTOR POWER CONNECTORS

SAFE TORQUE OFF - SIL2 CONNECTOR

ENCODER CONNECTORS - Second encoder for external linear scale to avoid backlash.



Dimensions:
mm 40x160x85
Model: RS2K04A2HL5



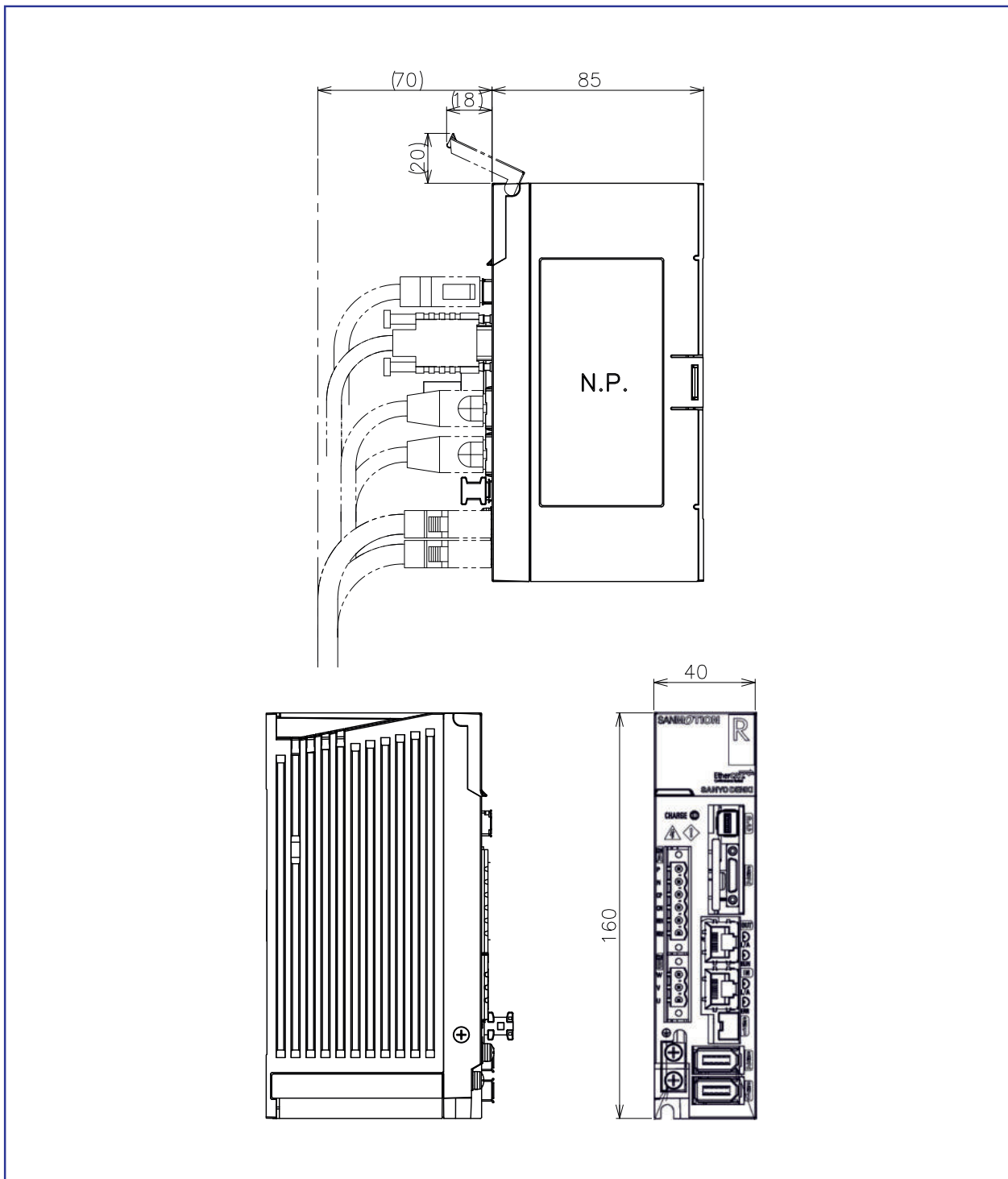
MAIN FEATURES

- Amplifier capacity: 40A
- Mode of Operation: Homing Mode, Profile Velocity Mode, Profile Position Mode, Profile Torque Mode, Cycle Sync Position Mode, Cycle Sync Velocity Mode, Cycle Sync Torque Mode.
- Speed frequency response of 800 Hz
- EtherCAT cycle time: up to 125 microsec
- External Regenerative Resistor (optional)
- Built-In Dynamic Brake
- Safe Torque Off(STO) Function: SIL2, IEC62061 : SILCL2, ISO 13894-1 Cat3 : PL=d
- RS2K04A2HL5 amplifier covers motors from 20W to 200W

TECHNICAL DATA	EtherCAT control
MODEL	RS2K04A2HL5
MAX CURRENT	40 A
MOTOR OUTPUT STAGE	IGBT, PWM control, sinusoidal current
POWER SUPPLY VOLTAGE	48 VDC (±10%)
LOGIC SUPPLY VOLTAGE	24 VDC (±10%)
DIMENSIONS (mm)	40x160x85
MASS (kg)	0,50 Kg

48 VDC SERVOAMPLIFIERS

R Advanced series - 48VDC EtherCAT servo drive with STO





SANMOTION
AC SERVO SYSTEMS

**ADVANCED
MODEL**

SIL3
SAFE TORQUE
OFF (STO)

48
VDC

**4 AXIS
SYSTEM**

EtherCAT

48 VDC SERVOAMPLIFIERS

R Advanced series - 48VDC 4 AXIS EtherCAT servo drive with STO

**1 DRIVE
4 MOTORS**

INPUT POWER SUPPLY CONNECTORS: two separated power supply. One for the control board (24VDC), and one for the power stage (48VDC). Built in protection against overload and input overvoltage.

LED DISPLAY STATUS MONITOR: it allows to monitor the status of the amplifier.

EXTERNAL REGENERATIVE RESISTOR (Optional)

I/O CONNECTORS: 8 Inputs + 8 Outputs user configurable.

ENCODER CONNECTORS

Rs232 PC INTERFACE: set up and monitor by SanMotion Motor Setup

SAFE TORQUE OFF - SIL3 CONNECTOR

EtherCAT INTERFACE CONNECTORS: RJ45

MOTOR POWER CONNECTORS



Dimensions:
mm 50x200x130
Model: RF2K24A0HL5



MAIN FEATURES

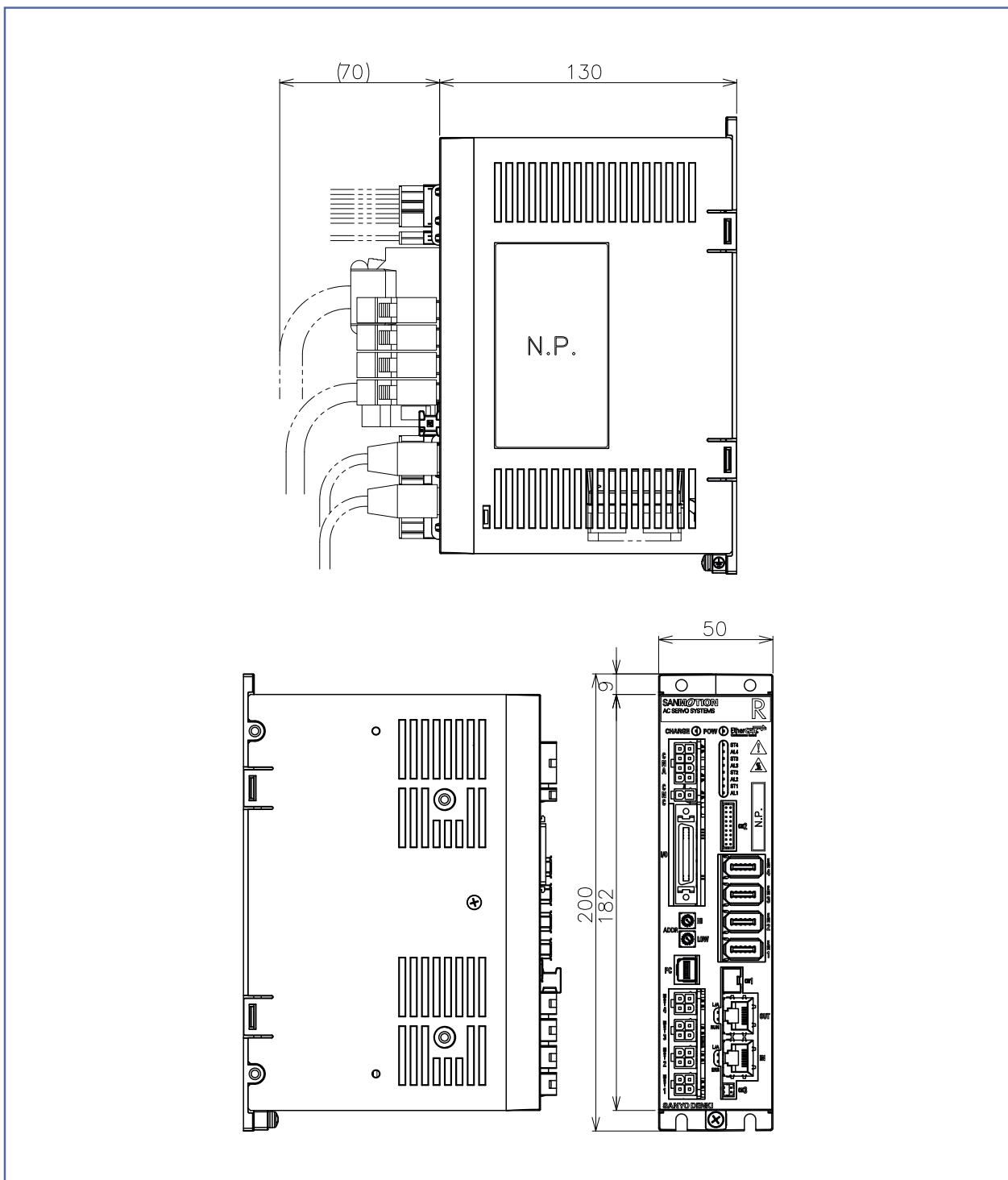
- Amplifier capacity: 40A
- Mode of Operation: Homing Mode, Profile Velocity Mode, Profile Position Mode, Profile Torque Mode, Cycle Sync Position Mode, Cycle Sync Velocity Mode, Cycle Sync Torque Mode.
- Speed frequency response of 800 Hz
- EtherCAT cycle time: up to 125 microsec
- External Regenerative Resistor (optional)
- Safe Torque Off(STO) Function: SIL3/IEC61508. PL=e/ISO 13894-1
- RF2K24A0HL5 amplifier covers motors up to 300W (4 axes)

TECHNICAL DATA	EtherCAT control
MODEL	RF2K24A0HL5
MAX CURRENT	40 A
MOTOR OUTPUT STAGE	IGBT, PWM control, sinusoidal current
POWER SUPPLY VOLTAGE	48 VDC (± 10%)
LOGIC SUPPLY VOLTAGE	24 VDC (± 10%)
DIMENSIONS (mm)	50x200x130
MASS (kg)	0,8 Kg

48 VDC SERVOAMPLIFIERS

R Advanced series - 48VDC 4 AXIS EtherCAT servo drive with STO

1 DRIVE
4 MOTORS





SANMOTION AC SERVO SYSTEMS
R ADVANCED MODEL

48 VDC

ULTRA COMPACT SIZE

PULSE TRAIN

48 VDC SERVOAMPLIFIERS

R Advanced series - 48 VDC Pulse-Train interface servodrive

INPUT POWER SUPPLY CONNECTORS: two separated power supplies. One for the control board (5VDC), and one for the power stage (48VDC). Built in protection against overload and input overvoltage.

LED DISPLAY STATUS MONITOR: it allows to monitor the status of the amplifier.

I/O CONNECTOR: pulse train input (clock + direction; forward + backward pulse; 90 phase shift) - encoder output.

I/O CONNECTOR: 8 inputs + 8 outputs user configurable.

ENCODER CONNECTOR

MOTOR POWER CONNECTORS

Rs232 PC INTERFACE: set up and monitor by SanMotion Motor Setup



Dimensions:
mm 30x116x70

Model: RF2G21A0AA0



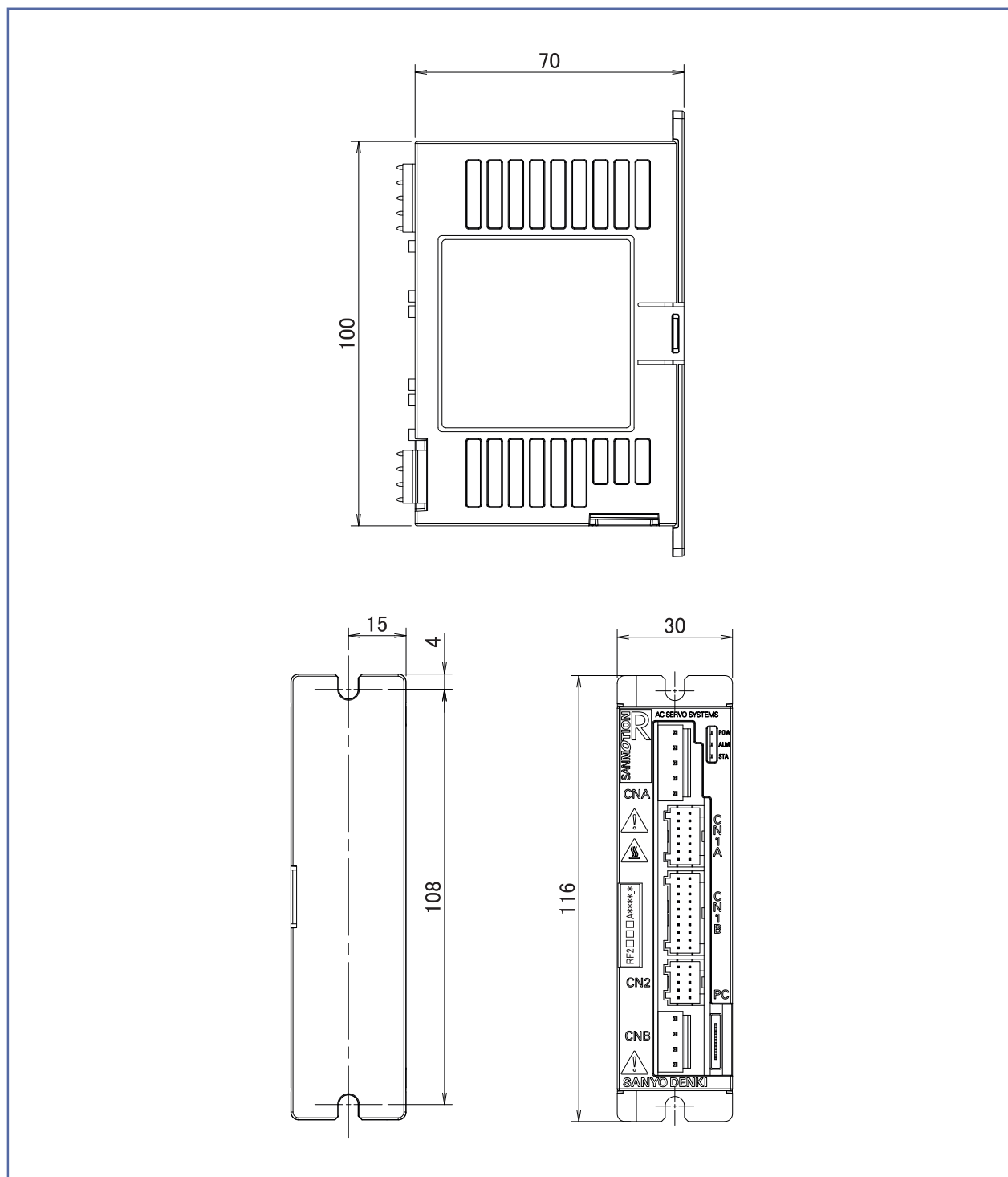
MAIN FEATURES

- Amplifier capacity: 40A
- Speed frequency response of 1,2 KHz
- Built-In Dynamic Brake
- RF2G21A0A00 amplifier covers motors from 20W to 200W

TECHNICAL DATA	POSITION
MODEL	RF2G21A0AA0
MAX CURRENT	40 A
MOTOR OUTPUT STAGE	IGBT, PWM control, sinusoidal current
POWER SUPPLY VOLTAGE	48 VDC (± 10%)
LOGIC SUPPLY VOLTAGE	5 VDC (± 5%)
DIMENSIONS (mm)	30x116x70
MASS (kg)	0,25 Kg


48 VDC SERVOAMPLIFIERS

R Advanced series - 48 VDC Pulse-Train interface servodrive



SERVO SYSTEMS

230 VAC SERVOAMPLIFIER

 For cable options please see the table at the end of the section.



SANMOTION
AC SERVO SYSTEMS **RS3**

230
VAC

SIL3
SAFE TORQUE
OFF (STO)

EtherCAT

3rd
GENERATION!

230 VAC SERVOAMPLIFIERS

RS3 SERIES AC SERVOAMPLIFIERS - EtherCAT INTERFACE & STO

FIVE DIGIT DISPLAY: It allows to monitor amplifier and EtherCAT Network.

PC CONNECTOR: The amplifier can be set and monitored by means of Personal Computer USB interface.

POWER CONNECTOR: 230VAC, single-phase or three-phase (configurable by user). Power sections kept separated for logic/signal and power. Built-in protection circuits against overload and input overvoltage.

Internal regenerative resistor. External regenerative resistor (optional)

EtherCAT INTERFACE CONNECTOR: RJ45 - CAT5e.

I/O CONNECTOR: 7 inputs and 2 outputs.

MOTOR POWER CONNECTOR

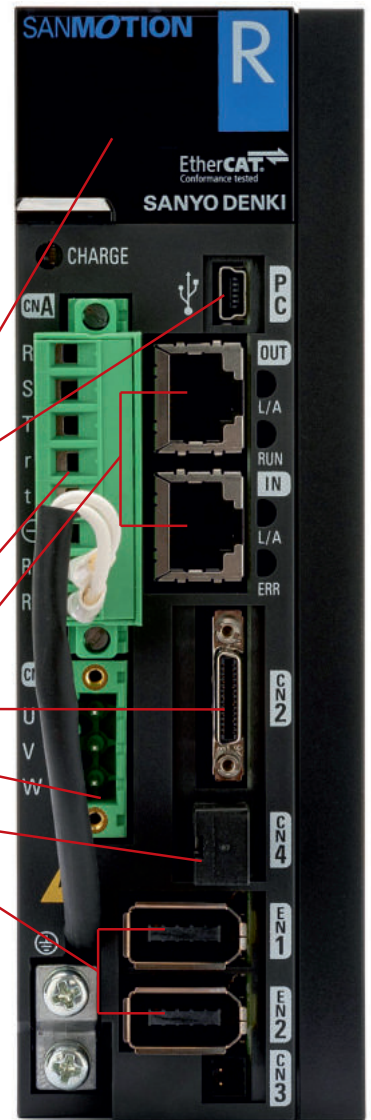
SAFE TORQUE OFF - SIL3 CONNECTOR



SECOND ENCODER CONNECTOR FOR EXTERNAL LINEAR SCALE TO AVOID BACKLASH

MAIN FEATURES OF THE 3rd GENERATION

- Mode of Operation: Homing Mode, Profile Velocity Mode, Profile Position Mode, Profile Torque Mode, Cycle Sync Position Mode, Cycle Sync Velocity Mode, Cycle Sync Torque Mode.
- Touch Probe Function.
- Speed frequency response of 2.2 kHz [3.3 times that of previous RS1 model!]
- Safe Torque Off (STO) function - SIL3/IEC61508. Performance Level - PL = e/ISO13849-1
- RS3A03A2HA4W00P covers 100W, 200W, 400W, 750W, 1000W, 1500W motors



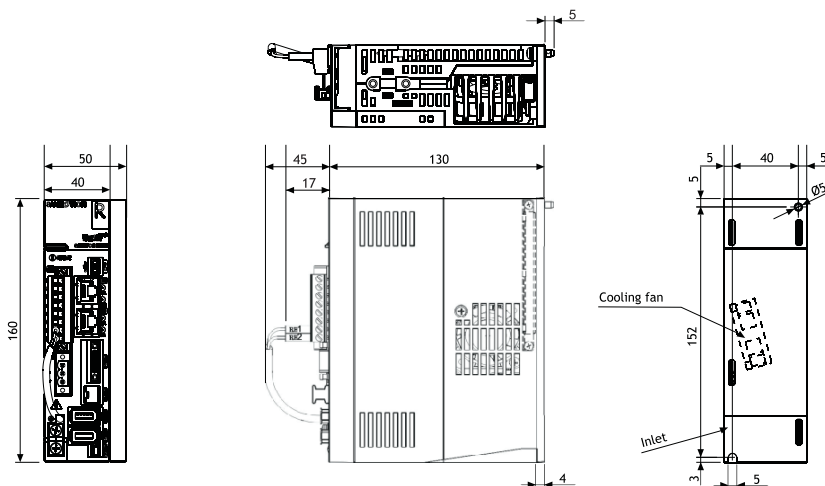
Dimensions:
(50x160x130)
Model RS3A03A2HA4W00P



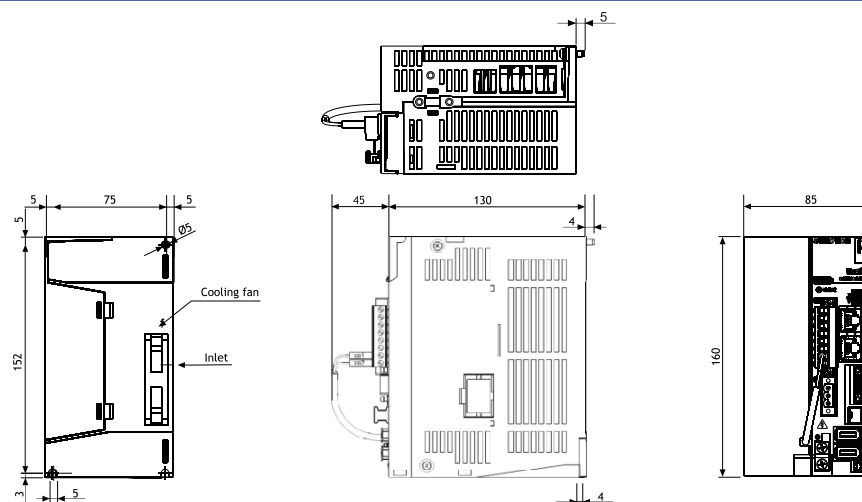
TECHNICAL DATA	EtherCAT Control			
	MODEL	RS3A03A2HA4W00P	RS3A05A2HA4W00P	RS3A10A2HA4W00P
MAX CURRENT		30 Amp	50 Amp	100 Amp
MOTOR OUTPUT STAGE	IGBT, PWM control, sinusoidal current			
POWER SUPPLY VOLTAGE	Single-phase or three-phase (configurable by the user) 200 VAC or 230 VAC (+10%, -15%) 50/60 Hz (± 3 Hz)			
LOGIC SUPPLY VOLTAGE	Single-phase from 200 VAC to 230 VAC (+10%, -15%) 50/60 Hz (± 3 Hz)			
DIMENSIONS (mm)	50x160x130	85x160x130	100x235x220	
MASS (kg)	0.9	1.65	4.2	

“RS3A” SERIES AC SERVOAMPLIFIERS:
EtherCAT VERSION OUTLINE DRAWINGS

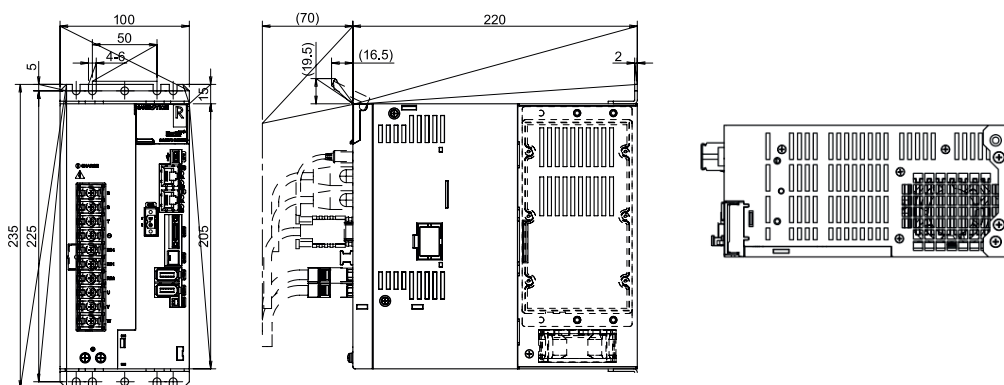
RS3A03A2HA4W00P



RS3A05A2HA4W00P



RS3A10A2HA4W00P



Dimensions mm.



SANMOTION
AC SERVO SYSTEMS **RS3**

230
VAC

SIL3
SAFE TORQUE
OFF (STO)

EtherCAT

3rd
GENERATION!

230 VAC SERVOAMPLIFIERS

**ADVANCED SAFETY
MODULE**

RS3 SERIES AC SERVOAMPLIFIERS - EtherCAT INTERFACE & STO

FIVE DIGIT DISPLAY: It allows to monitor amplifier and EtherCAT Network.

PC CONNECTOR: The amplifier can be set and monitored by means of Personal Computer USB interface.

POWER CONNECTOR: 230VAC, single-phase or three-phase (configurable by user). Power sections kept separated for logic/signal and power. Built-in protection circuits against overload and input overvoltage.

Internal regenerative resistor. External regenerative resistor (optional)

EtherCAT INTERFACE CONNECTOR: RJ45 - CAT5e.

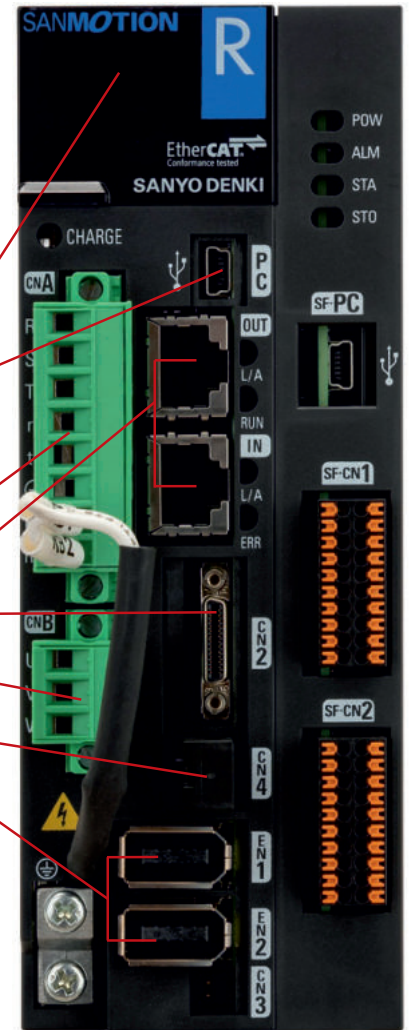
I/O CONNECTOR: 7 inputs and 2 outputs.

MOTOR POWER CONNECTOR - CONNETTORE POTENZA MOTORE

SAFE TORQUE OFF SIL3 CONNECTOR



SECOND ENCODER CONNECTOR FOR EXTERNAL LINEAR SCALE TO AVOID BACKLASH



Dimensions:
(60x160x130)
Model RS3A03A2HAE

**ADVANCED SAFETY
MODULE**

MAIN FEATURES OF THE 3rd GENERATION

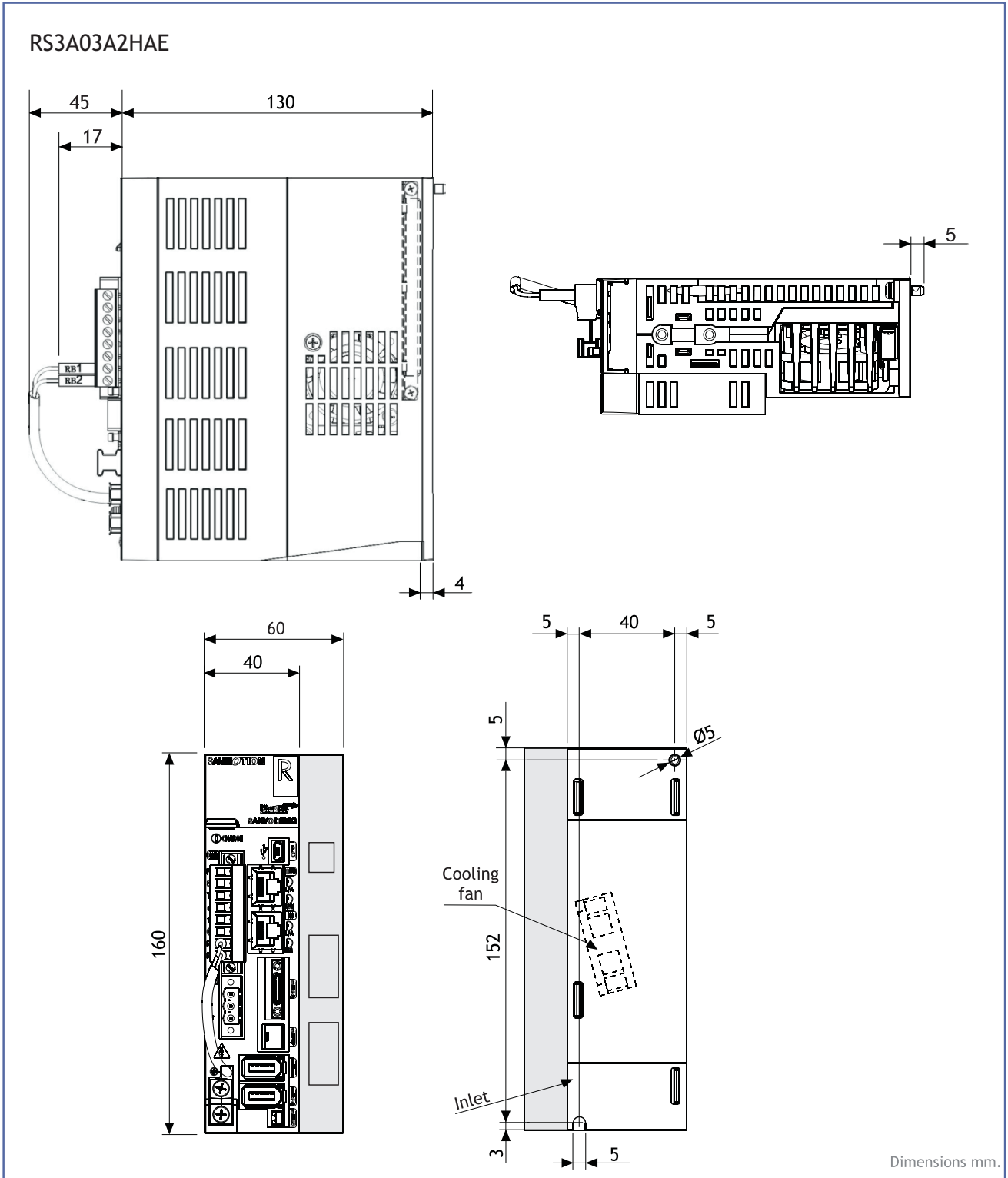
- Mode of Operation: Homing Mode, Profile Velocity Mode, Profile Position Mode, Profile Torque Mode, Cycle Sync Position Mode, Cycle Sync Velocity Mode, Cycle Sync Torque Mode.
- Touch Probe Function.
- Speed frequency response of 2.2 kHz [3.3 times that of previous RS1 model!]
- Safe Torque Off (STO) function - SIL3/IEC61508. Performance Level - PL = e/ISO13849-1
- One single size covers 100W, 200W, 400W, 750W, 1000W, 1500W motors



TECHNICAL DATA	EtherCAT Control
MODEL	RS3A03A2HAE
MAX CURRENT	30 Amp
MOTOR OUTPUT STAGE	IGBT, PWM control, sinusoidal current
POWER SUPPLY VOLTAGE	Single-phase or three-phase (configurable by the user) 200 VAC or 230 VAC (+10%, -15%) 50/60 Hz (± 3 Hz)
LOGIC SUPPLY VOLTAGE	Single-phase from 200 VAC to 230 VAC (+10%, -15%) 50/60 Hz (± 3 Hz)
DIMENSIONS (mm)	60x160x130
MASS (kg)	1.1

SAFETY FUNCTION SPECIFICATIONS	
	DESCRIPTION
STO	SAFE TORQUE OFF
SS1	SAFE STOP 1
SS2	SAFE STOP 2
SOS	SAFE OPERATING STOP
SLS	SAFELY-LIMITED SPEED
SBC	SAFE BRAKE CONTROL
SSM	SAFE SPEED MONITOR

“RS3A” SERIES AC SERVOAMPLIFIERS:
EtherCAT VERSION OUTLINE DRAWINGS





SANMOTION
AC SERVO SYSTEMS **RS3**

230
VAC

PULSE TRAIN
ANALOG INPUT

ULTRA
COMPACT
SIZE

3rd
GENERATION!

230 VAC SERVOAMPLIFIERS

RS3 SERIES AC SERVOAMPLIFIERS - TRADITIONAL INTERFACE

FIVE DIGIT DISPLAY AND OPERATION KEY: It allows to view and modify parameters and monitor in real time the behavior of the system.

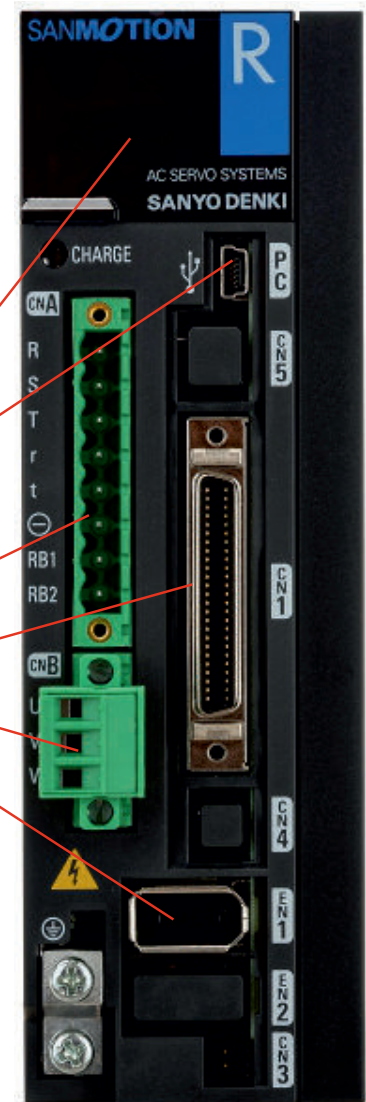
PC CONNECTOR: The amplifier can be set and monitored by means of Personal Computer USB interface.

POWER CONNECTOR: 230VAC, single-phase or three-phase (configurable by user). Power sections kept separated for logic/signal and power electronics. Built-in protection circuits against overload and input overvoltage.
External regenerative resistor (optional).

I/O CONNECTOR: Control pulse train (clock + direction; forward + backward pulse; 90° phase shift) or analog signal (proportional to speed or torque). 8 inputs and 8 outputs.

MOTOR POWER CONNECTOR

ENCODER CONNECTOR



MAIN FEATURES OF THE 3rd GENERATION

- Speed frequency response of 2.2 kHz [3.3 times that of previous RS1 models!]
- One single size covers 100W, 200W, 400W, 750W, 1000W, 1500W motors
- CN1 connector wiring fully compatible with previous RS1 models
- Sanmotion Motor Setup allows multitasking system settings

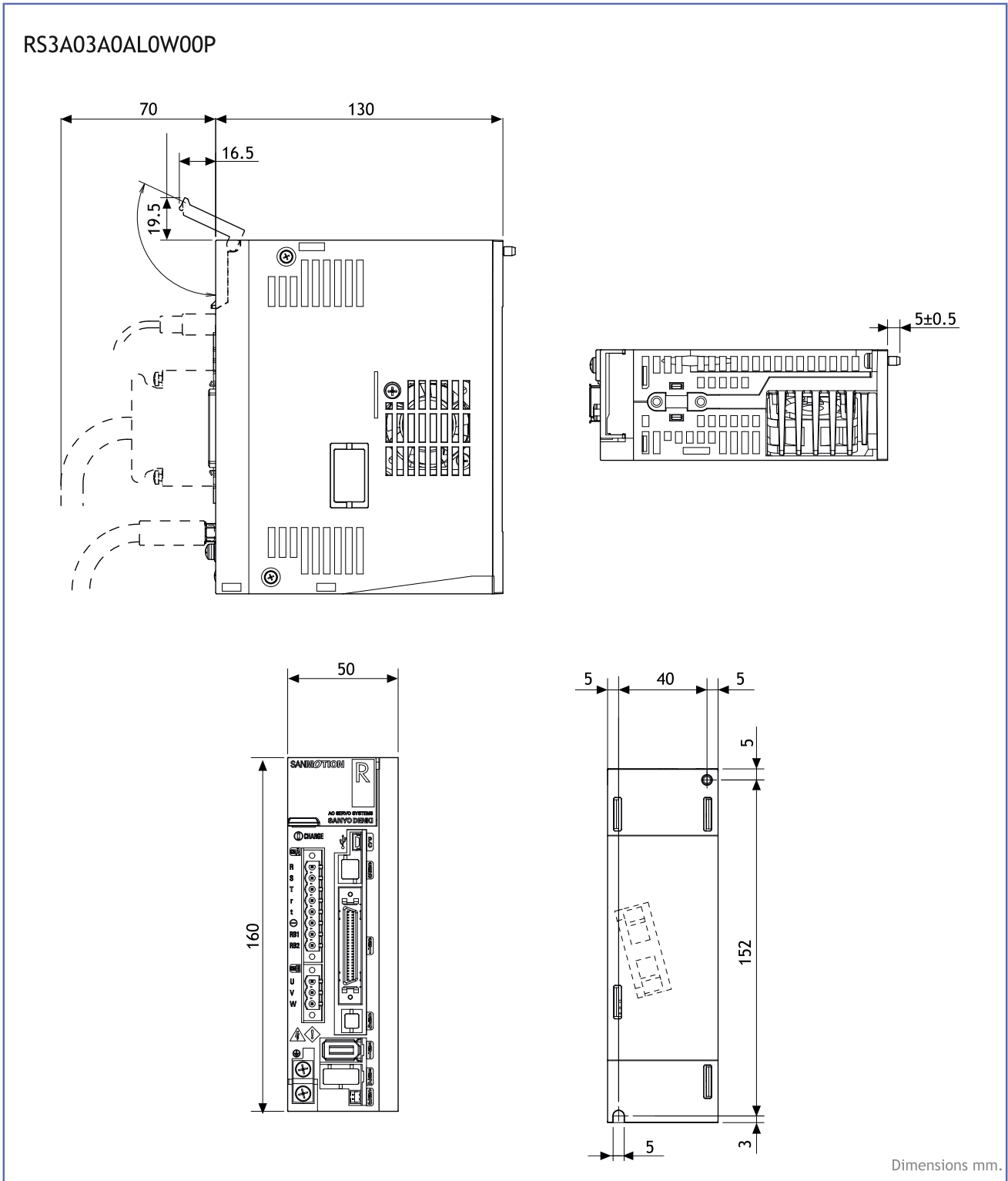
Dimensions:
(50x160x130)



RS3A03A0AL0W00P

TECHNICAL DATA	Position, Velocity, Torque Control Mode Switching available
MODEL	RS3A03A0AL0W00P
MAX CURRENT	30 Amp
MOTOR OUTPUT STAGE	IGBT, PWM control, sinusoidal current
POWER SUPPLY VOLTAGE	Single-phase or three-phase (configurable by the user) 200 VAC to 230 VAC (+10%, -15%) 50/60 Hz (± 3 Hz)
LOGIC SUPPLY VOLTAGE	Single-phase from 200 VAC to 230 VAC (+10%, -15%) 50/60 Hz (± 3 Hz)
DIMENSIONS (mm)	50x160x130
MASS (kg)	0.8

**“RS3A” SERIES AC SERVOAMPLIFIERS:
PULSE TRAIN AND ANALOG INPUT VERSION OUTLINE DRAWINGS**





SANMOTION
AC SERVO SYSTEMS **RS3**

230
VAC

SIL3
SAFE TORQUE
OFF (STO)

**PULSE TRAIN
ANALOG INPUT**

**ULTRA
COMPACT
SIZE**

**3rd
GENERATION!**

230 VAC SERVOAMPLIFIERS

RS3 SERIES AC SERVOAMPLIFIERS - TRADITIONAL INTERFACE


FIVE DIGIT DISPLAY AND OPERATION KEY: It allows to view and modify parameters and monitor in real time the behavior of the system.

PC CONNECTOR: The amplifier can be set and monitored by means of Personal Computer USB interface.

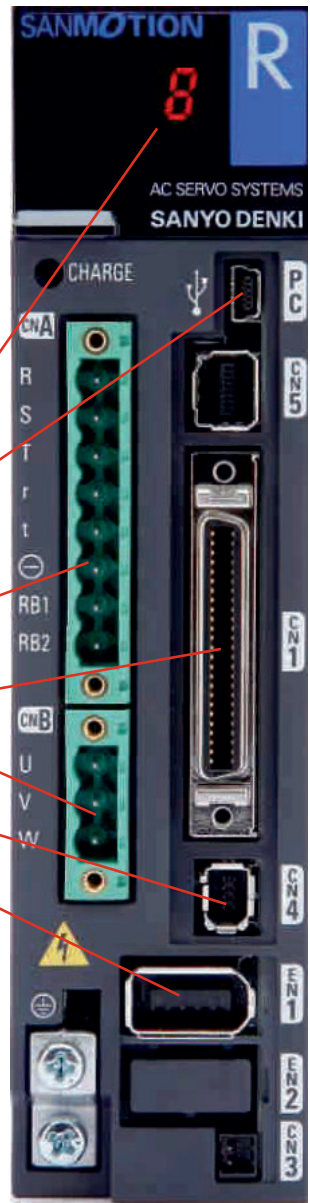
POWER CONNECTOR: 230VAC, single-phase or three-phase (configurable by user). Power sections separated for logic/signal and power electronics. Built-in protection circuits against overload and input overvoltage.
External regenerative resistor (optional).

I/O CONNECTOR: Control pulse train (clock + direction; forward + backward pulse; 90° phase shift) or analog signal (proportional to speed or torque). 8 inputs and 8 outputs setting by user.

MOTOR POWER CONNECTOR

SAFE TORQUE OFF - SIL3 CONNECTOR 

ENCODER CONNECTOR



Dimensions:
(40x160x130)
Model RS3A02A0AL2

MAIN FEATURES OF THE 3rd GENERATION

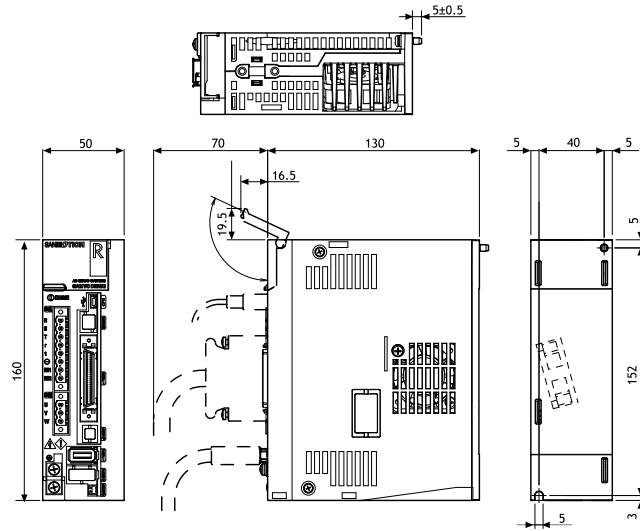
- Safe Torque Off (STO) function - SIL3/IEC61508 Performance Level - PL = e/ISO13849-1
- Speed frequency response of 2.2 kHz [3.3 times that of previous RS1 model!]
- Ultra compact size - see photo



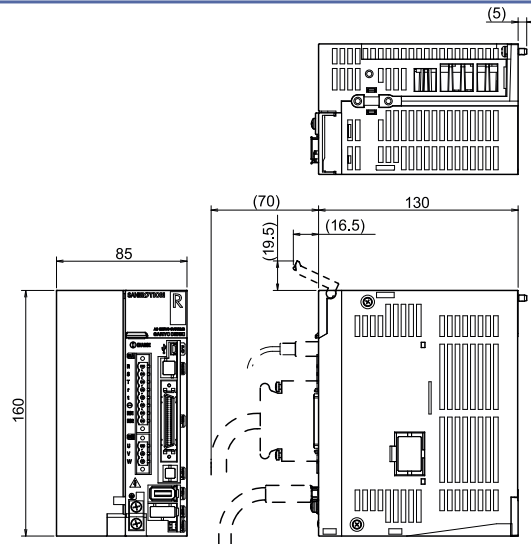
TECHNICAL DATA	Position, Velocity, Torque (Control Mode Switching available)		
	RS3A03A0AL2	RS3A05A0AA2	RS3A10A0AA2
MODEL	RS3A03A0AL2	RS3A05A0AA2	RS3A10A0AA2
MAX CURRENT	30 Amp	50 Amp	100 Amp
MOTOR OUTPUT STAGE	IGBT, PWM control, sinusoidal current		
POWER SUPPLY VOLTAGE	Single-phase or three-phase (configurable by the user) 200 VAC to 230 VAC (+10%, -15%) 50/60 Hz (± 3 Hz)		
LOGIC SUPPLY VOLTAGE	Single-phase from 200 VAC to 230 VAC (+10%, -15%) 50/60 Hz (± 3 Hz)		
DIMENSIONS (mm)	50x160x130	85x160x130	100x235x220
MASS (kg)	0.85	1.55	4.2

“RS3A” SERIES AC SERVOAMPLIFIERS: PULSE TRAIN AND ANALOG INPUT VERSION OUTLINE DRAWINGS

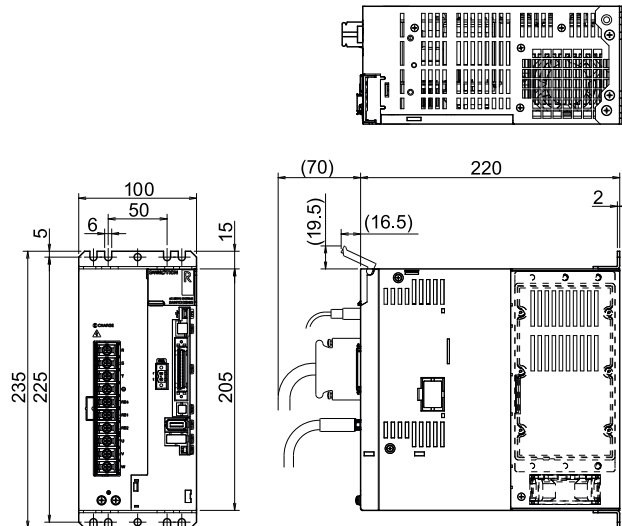
RS3A03A0AL2



RS3A05A0AA2



RS3A10A0AA2



Dimensions mm.

SERVO SYSTEMS

400 VAC SERVOAMPLIFIERS

● For cable options please see the table at the end of the section.





SANMOTION
AC SERVO SYSTEMS **RS3C**

400
VAC

SIL3
SAFE TORQUE
OFF (STO)

EtherCAT

3rd
GENERATION!

400 VAC SERVOAMPLIFIERS

RS3C SERIES AC SERVOAMPLIFIERS - EtherCAT INTERFACE

FIVE DIGIT DISPLAY: It allows to monitor amplifier and EtherCAT Network.

POWER CONNECTION: 400 VAC, three-phase. Built-in protection circuits against overload and input overvoltage.

PC CONNECTOR: The amplifier can be set and monitored by means of Personal Computer USB interface.

EtherCAT INTERFACE CONNECTOR: RJ45 - CAT5e.

CONTROL POWER SUPPLY CONNECTOR 24 VDC.

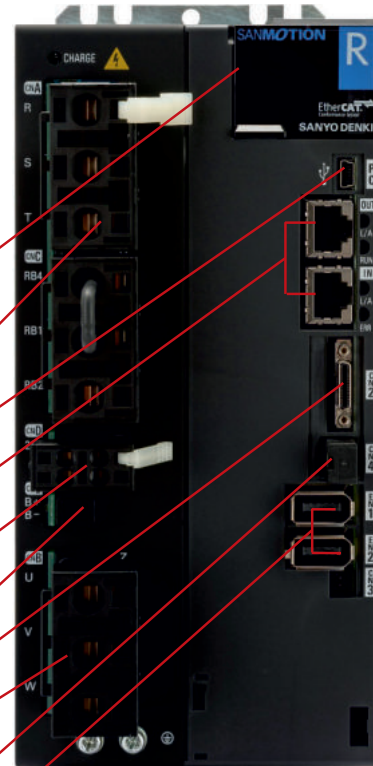
POWER SUPPLY MOTOR BRAKE EMBEDDED.

I/O CONNECTOR: 7 inputs and 2 outputs configurable by user.

MOTOR POWER CONNECTOR

SAFE TORQUE OFF - SIL3 CONNECTOR

SECOND ENCODER CONNECTOR FOR EXTERNAL LINEAR SCALE TO AVOID BACKLASH



Model RS3C05A2HL4
Dimensions:
(100X235X235)

MAIN FEATURES OF THE 3rd GENERATION

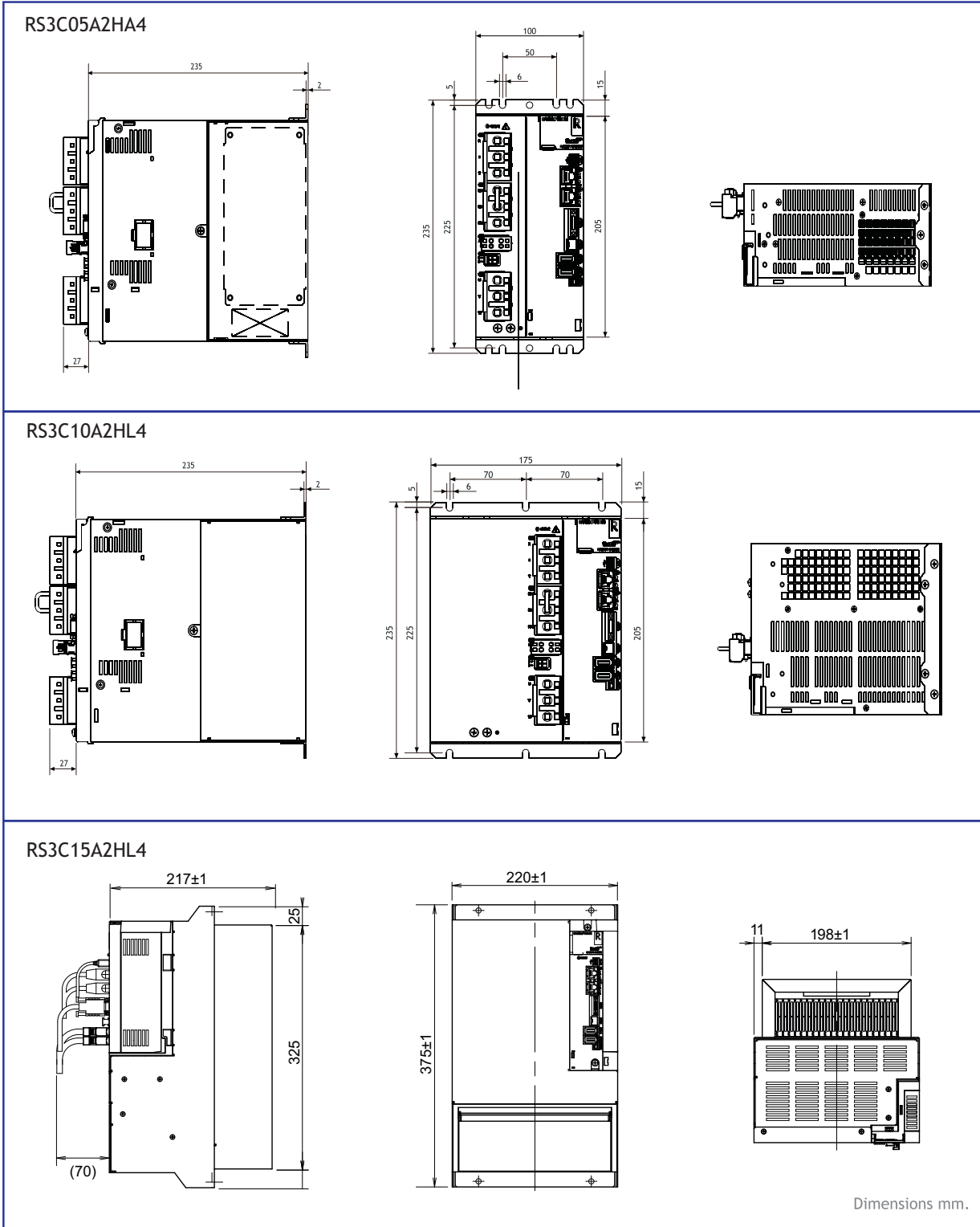
- Safe Torque Off (STO) function - SIL3 [Performance Level - PL = e]
- Mode of Operation: Homing Mode, Profile Velocity Mode, Profile Position Mode, Profile Torque Mode, Cycle Sync Position Mode, Cycle Sync Velocity Mode, Cycle Sync Torque Mode
- Touch Probe Function
- XML file available
- Speed frequency response of 2.2 kHz [3.3 times that of previous RS1 model!]

SIL3
SAFE TORQUE
OFF (STO)



TECHNICAL DATA	EtherCAT Control		
	MODEL	RS3C05A2HA4	RS3C10A2HA4
MAX CURRENT	50 Amp	100 Amp	150 Amp
MOTOR OUTPUT STAGE	IGBT, PWM control, sinusoidal current		
POWER SUPPLY VOLTAGE	Three-phase 380 VAC to 480 VAC (+10%, -15%) 50/60 Hz (± 3 Hz)		
CONTROL POWER SUPPLY	24VDC +/- 10%		
DIMENSIONS (mm)	100x235x235	175x235x235	220x375x217
MASS (kg)	4.7	8.5	11.0

“RS3C” SERIES AC SERVOAMPLIFIERS:
EtherCAT VERSION OUTLINE DRAWINGS





SANMOTION
AC SERVO SYSTEMS **RS3**

400
VAC

SIL3
SAFE TORQUE
OFF (STO)

**PULSE TRAIN
ANALOG INPUT**

3rd
GENERATION!

400 VAC SERVOAMPLIFIERS

RS3C SERIES AC SERVOAMPLIFIERS

SEVEN DIGIT DISPLAY AND OPERATION KEY: It allows to view and modify parameters and monitor in real time the behaviour of the system.

POWER CONNECTION: 400 VAC, three-phase. Built-in protection circuits against overload and input overvoltage.

PC CONNECTOR: The amplifier can be set and monitored by means of USB interface.

CONNECTION for external regenerative resistor (optional).

I/O CONNECTOR: Control pulse train (clock + direction; forward + backward pulse; 90° phase shift) or analog signal (proportional to speed or torque). 8 inputs and 8 outputs configurable by user.

CONTROL POWER SUPPLY CONNECTOR 24 VDC.

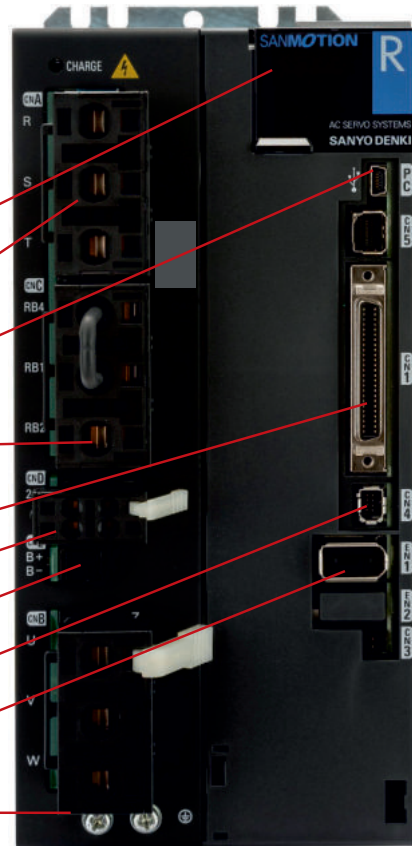
POWER SUPPLY MOTOR BRAKE EMBEDDED.

SAFE TORQUE OFF - SIL3 CONNECTOR



ENCODER CONNECTOR

MOTOR POWER CONNECTION



MAIN FEATURES OF THE 3rd GENERATION

- Safe Torque Off (STO) function - SIL3/IEC61508 Performance Level - PL = e/ISO13849-1
- Speed frequency response of 2.2 kHz [3.3 times that of previous RS1 model!]

Model RS3C05A0AA2

Dimensions:
(100X235X235)

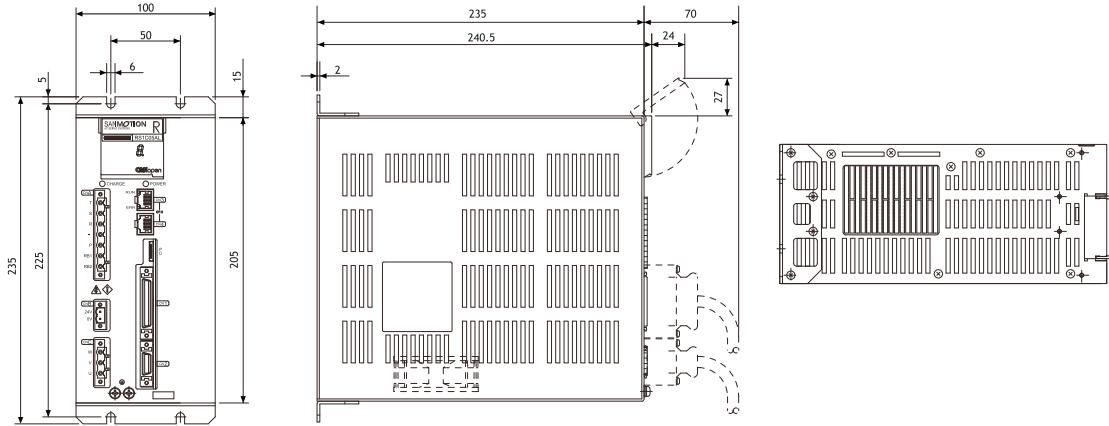


TECHNICAL DATA	Position, Velocity, Torque (Control Mode Switching available)		
	RS3C05A0AA2	RS3C10A0AA2	RS3C15A0A2
MODEL	RS3C05A0AA2	RS3C10A0AA2	RS3C15A0A2
MAX CURRENT	50 Amp	100 Amp	150 Amp
MOTOR OUTPUT STAGE	IGBT, PWM control, sinusoidal current		
POWER SUPPLY VOLTAGE	Three-phase 380 VAC to 480 VAC (+10%, -15%) 50/60 Hz (± 3 Hz)		
CONTROL POWER SUPPLY	24VDC +/- 10%		
DIMENSIONS (mm)	100x235x235	175x235x235	220x375x217
MASS (kg)	4.7	8.5	11.0

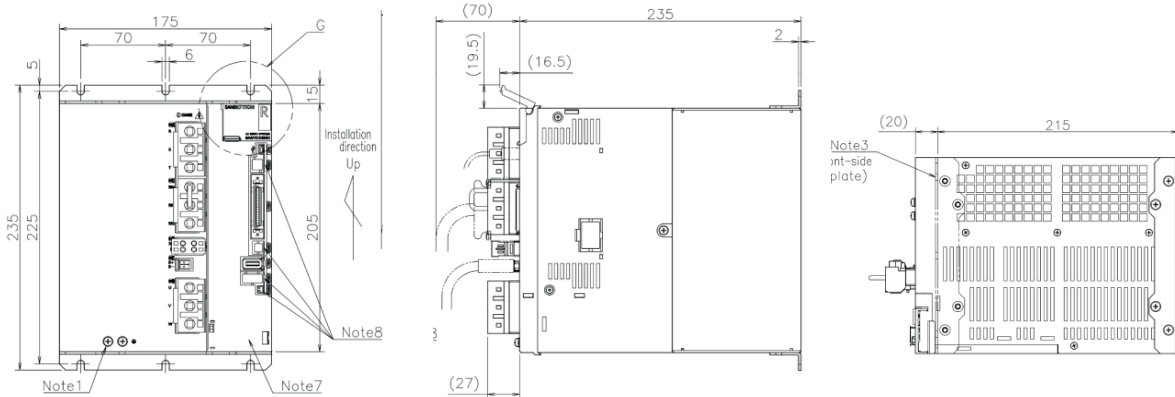
RS3C SERIES AC SERVOAMPLIFIERS

PULSE TRAIN AND ANALOG INPUT VERSION OUTLINE DRAWINGS

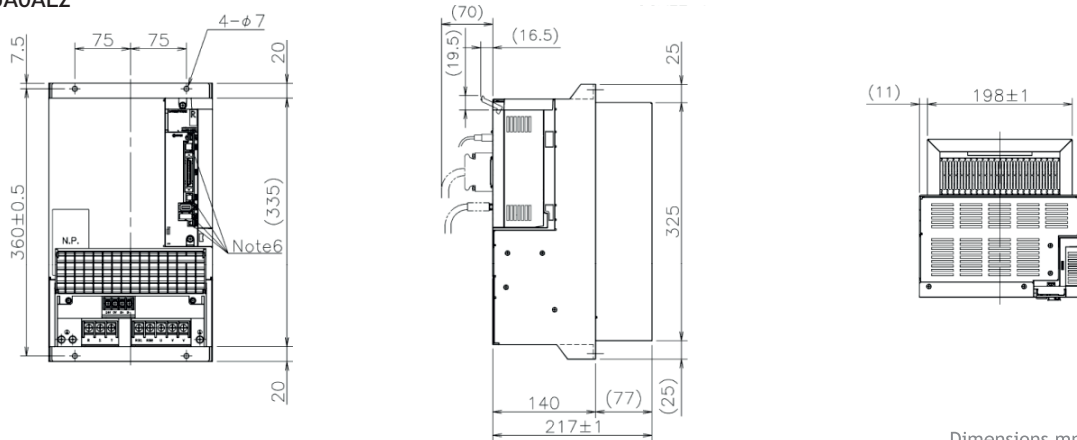
RS3C05A0AA2



RS3C10A0AA2



RS3C15A0AL2



Dimensions mm.

SERVO SYSTEMS

48 VDC SERVOMOTORS - INCREMENTAL ENCODER

● For cable options please see the table at the end of the section.



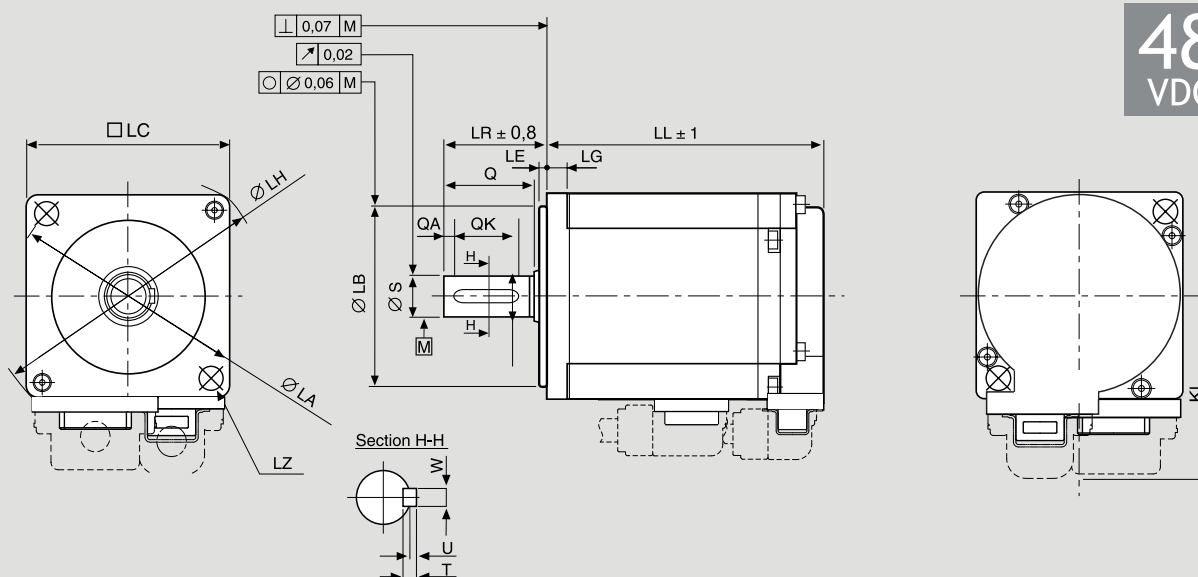
R2GD04005FXH1CM

SANYO DENKI
SANMOTION

Dimensions (Unit:mm)

c us

48
VDC

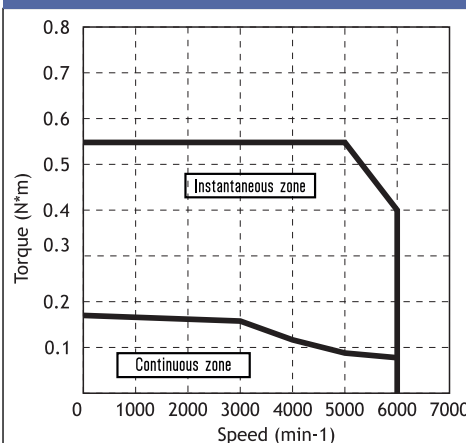


without brake LL	with brake LL	LG	KL	LA	LB	LE	LH	LC	LZ	LR	S	Q	QA	QK	W	T	U	QE	LT
56.5	--	5	35.4	46	$30-0.021^0$	2.5	56	40	2- $\varnothing 4.5$	25	$8-0.009^0$	20	2	12	3	3	1.2	--	--

FEATURES

MODEL	R2GD04005FXH1CM	
NOMINAL POWER	(W)	50
NOMINAL SPEED	(rpm)	3000
MAXIMUM SPEED	(rpm)	6000
NOMINAL TORQUE	(Nm)	0.159
STALL TORQUE	(Nm)	0.167
MAXIMUM TORQUE	(Nm)	0.54
INERTIA	(Kg*m ²)	0.0376×10^{-4}
INCREMENTAL ENCODER	(imp./rev)	131072 (17 bit)
PROTECTION DEGREE		IP 67 *
WEIGHT	(Kg)	0.27

TORQUE CURVE



* Protection degree IP67 (except for the shaft hole and the edge of the cable).



Indicated performances refer to motor controlled by related 48 VDC step-d r and EtherCAT servo-amplifiers.

Suggested amplifiers: RFG21A0A00, RF2K24A0HL5, RS2K04A2HL5

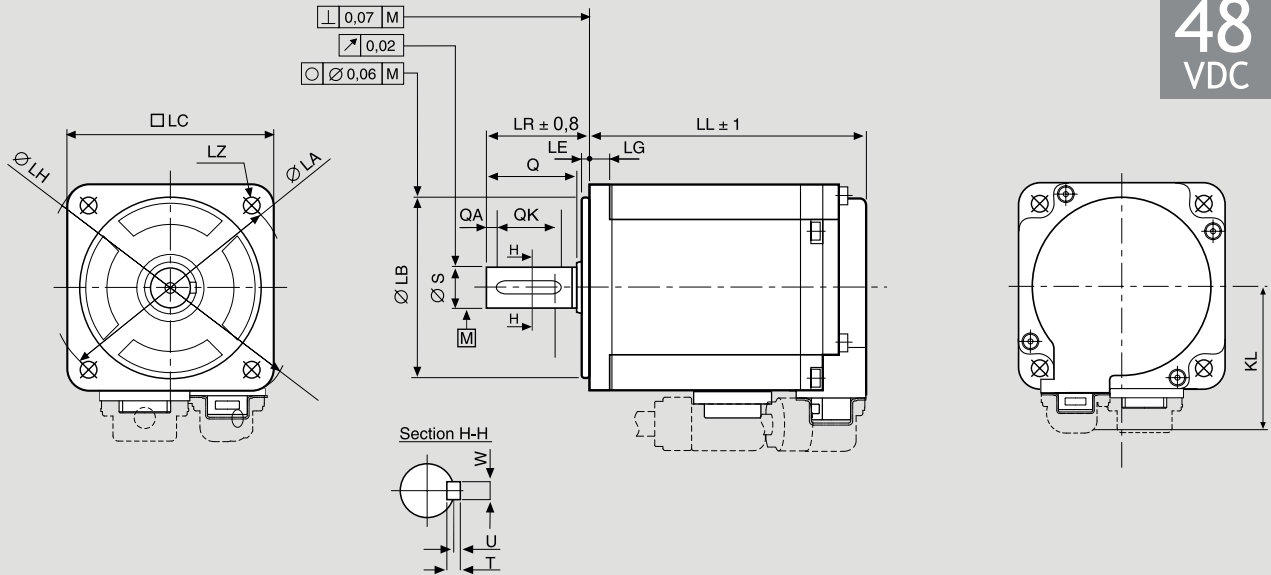
R2GD06010DXH11M

SANYO DENKI
SANMOTION

c US

Dimensions (Unit:mm)

48
VDC

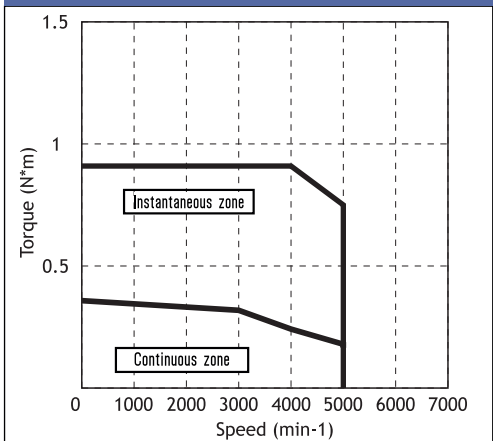


without brake LL	with brake LL	LG	KL	LA	LB	LE	LH	LC	LZ	LR	S	Q	QA	QK	W	T	U	QE	LT
58.5	-	6	44.6	70	$50-0.025^0$	3.0	82	60	4- \varnothing 5.5	25	$8-0.009^0$	20	2	12	3	3	1,2	-	-

FEATURES

MODEL	R2GD06010DXH11M	
NOMINAL POWER	(W)	100
NOMINAL SPEED	(rpm)	3000
MAXIMUM SPEED	(rpm)	5000
NOMINAL TORQUE	(Nm)	0.318
STALL TORQUE	(Nm)	0.353
MAXIMUM TORQUE	(Nm)	0.84
INERTIA	(Kg*m ²)	$0.117 \cdot 10^{-4}$
ENCODER	(imp./rev)	131072 (17 bit)
PROTECTION DEGREE		IP67
WEIGHT	(Kg)	0.59

TORQUE CURVE



* Protection degree IP67 (except for the shaft hole and the edge of the cable).



Indicated performances refer to motor controlled by related 48 VDC step-dir and EtherCAT servo-amplifiers.

Suggested amplifiers: RF2G21A0A00, RF2K24A0HL5, RS2K04A2HL5

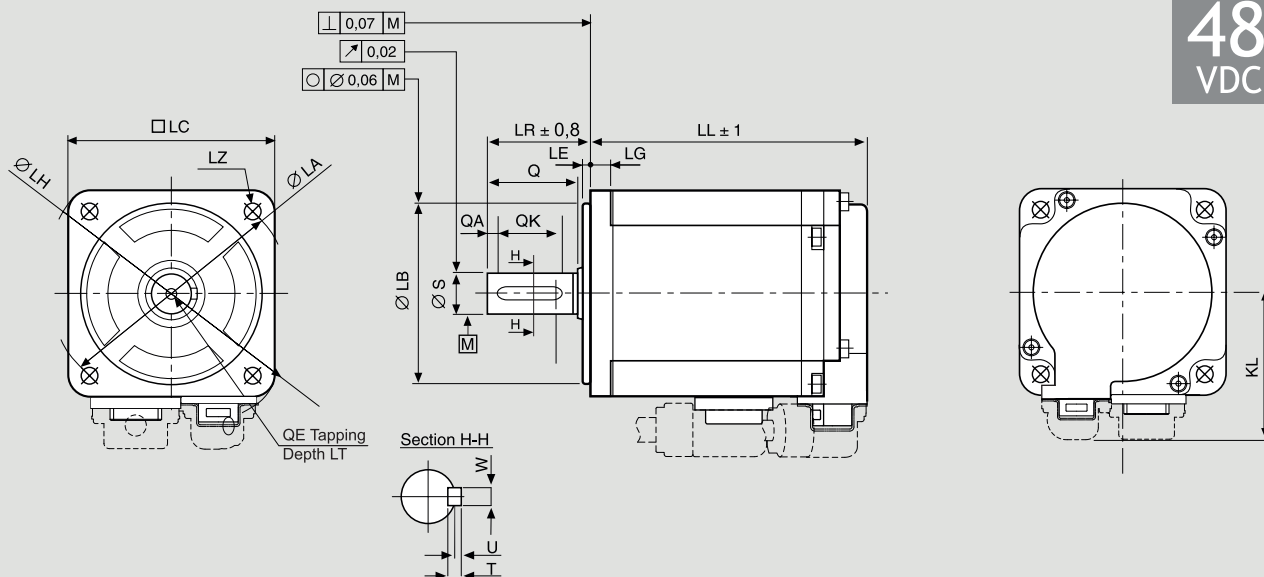
R2GD06020DXH11M

SANYO DENKI
SANMOTION

c US

Dimensions (Unit:mm)

48
VDC

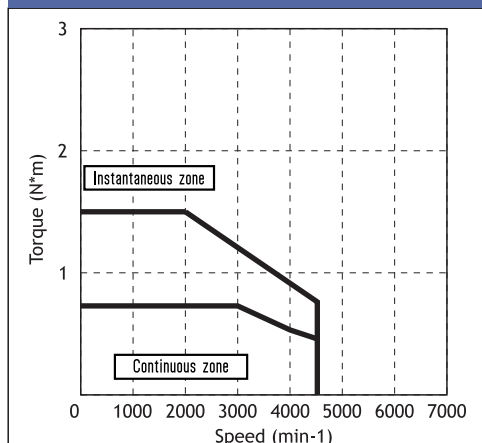


without brake LL	with brake LL	LG	KL	LA	LB	LE	LH	LC	LZ	LR	S	Q	QA	QK	W	T	U	QE	LT
69.5	-	6	44.6	70	50-0.025 ⁰	3.0	82	60	4-∅5.5	30	14-0.011 ⁰	25	2	20	5	5	2	M5	12

FEATURES

MODEL	R2GD06020DXH11M	
NOMINAL POWER	(W)	200
NOMINAL SPEED	(rpm)	3000
MAXIMUM SPEED	(rpm)	4500
NOMINAL TORQUE	(Nm)	0.637
STALL TORQUE	(Nm)	0.637
MAXIMUM TORQUE	(Nm)	1.5
INERTIA	(Kg*m ²)	0.219*10 ⁻⁴
ENCODER	(imp./rev)	131072 (17 bit)
PROTECTION DEGREE		IP67
WEIGHT	(Kg)	0.84

TORQUE CURVE



* Protection degree IP67 (except for the shaft hole and the edge of the cable).



Indicated performances refer to motor controlled by related 48 VDC step-dir and EtherCAT servo-amplifiers.

Suggested amplifiers: RF2G21A0A00, RF2K24A0HL5, RS2K04A2HL5

SERVO SYSTEMS

**230 VAC SERVOMOTORS
BATTERY LESS MULTI-TURN ABSOLUTE ENCODER**

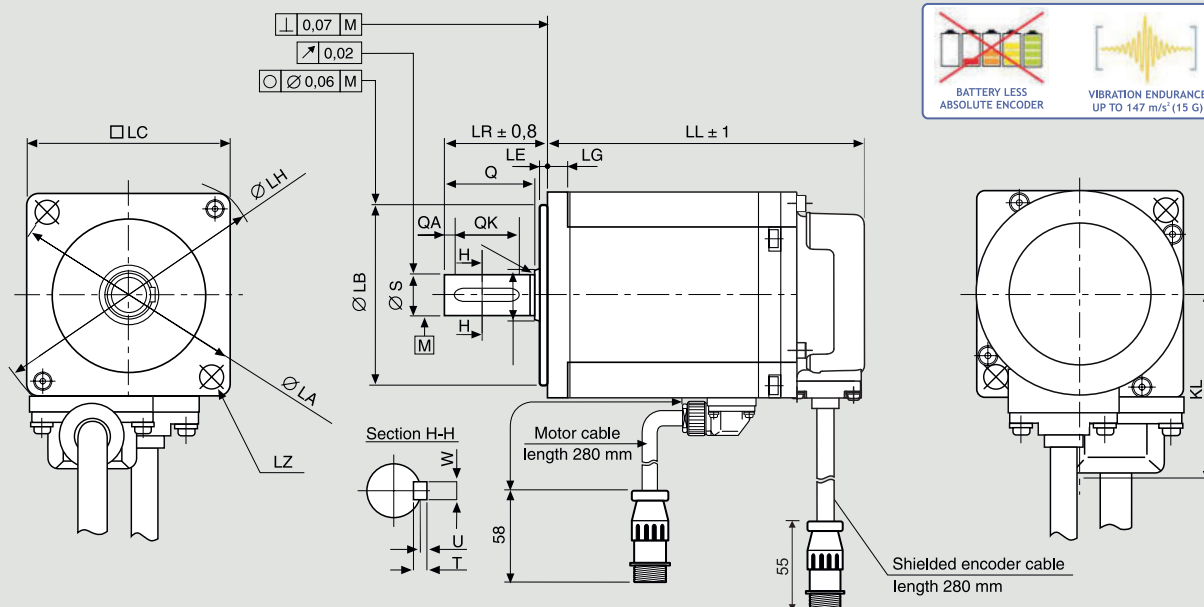
● For cable options please see the table at the end of the section.



R2AA04010FXR1CM (R2AA04010FCR1CM6)

SANYODENKI
SANMOTION

Dimensions (Unit:mm)



without brake LL	with brake LL	LG	KL	LA	LB	LE	LH	LC	LZ	LR	S	Q	QA	QK	W	T	U	QE	LT
83	119	5	34.5	46	30-0.021 ⁰	2.5	56	40	2-Ø4.5	25	8-0.009 ⁰	20	2	12	3	3	1.2	--	--

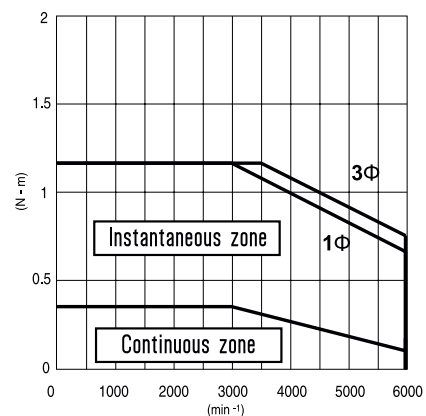
FEATURES

MODEL	R2AA04010FXR1CM
NOMINAL POWER [version with brake] (W)	100 [90]
NOMINAL SPEED (rpm)	3000
MAXIMUM SPEED (rpm)	6000
NOMINAL TORQUE (Nm)	0.286
STALL TORQUE (Nm)	0.318
MAXIMUM TORQUE (Nm)	1.18
INERTIA (Kg*m ²)	0.0627*10 ⁻⁴
BATTERY LESS ABSOLUTE ENCODER	SINGLE TURN: 131072 imp/rev (17 bit) MULTI TURN: 65536 turns
PROTECTION DEGREE	IP67*
WEIGHT [version with brake] (Kg)	0.53 [0.80]

* Protection degree IP67 (except for the shaft hole and the edge of the cable).

TORQUE CURVE

R2AA04010F [100W] + RS3A03



WITHOUT BRAKE
R2AA04010FXR1CM



Indicated performances refer to motor controlled by related new RS3 standard and EtherCat amplifiers.

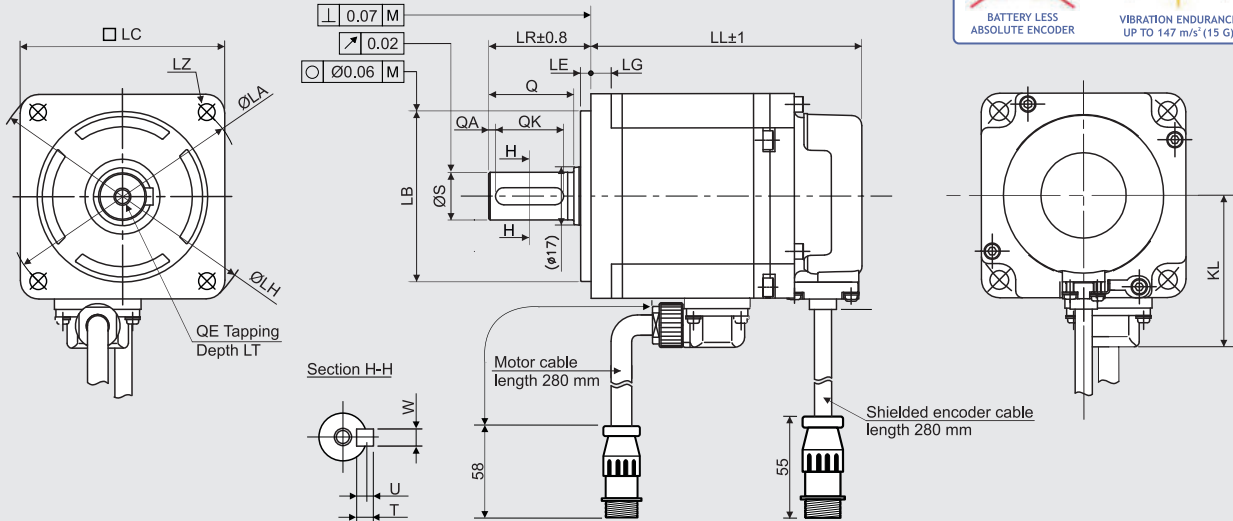
1Φ torque curve with single phase power supply
3Φ = torque curve with three-phase power supply

Suggested amplifiers: RS3A03A0AL0W00P, RS3A03A2HA4W00P, RS3A03A0AL2

R2AA06020FXR11M (R2AA06020FCR11M)

SANYODENKI
SANMOTION

Dimensions (Unit:mm)

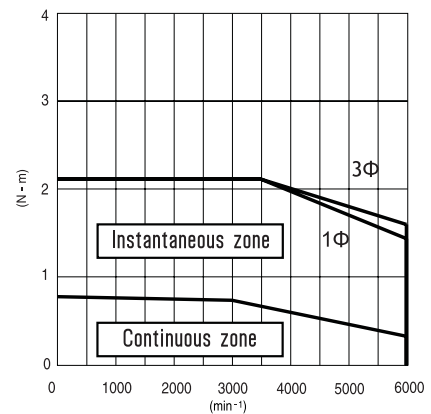


without brake LL	with brake LL	LG	KL	LA	LB	LE	LH	LC	LZ	LR	S	Q	QA	QK	W	T	U	QE	LT
79.5	107.5	6	44.4	70	50-0.025 ⁰	3.0	82	60	4-Ø5.5	30	14-0.011 ⁰	25	2	20	5	5	2	M5	12

FEATURES

MODEL	R2AA06020FXR11M	
NOMINAL POWER	(W)	200
NOMINAL SPEED	(rpm)	3000
MAXIMUM SPEED	(rpm)	6000
NOMINAL TORQUE	(Nm)	0.637
STALL TORQUE	(Nm)	0.686
MAXIMUM TORQUE	(Nm)	2.20
INERTIA	(Kg*m ²)	0.219×10 ⁻⁴
BATTERY LESS ABSOLUTE ENCODER	SINGLE TURN: 131072 imp/rev (17 bit) MULTI TURN: 65536 turns	
PROTECTION DEGREE	IP67*	
WEIGHT	[version with brake] (Kg)	0.99 [1.4]

TORQUE CURVE R2AA06020F [200W] + RS3A03



* Protection degree IP67 (except for the shaft hole and the edge of the cable).

WITHOUT BRAKE
R2AA06020FXR11M



Indicated performances refer to motor controlled by related new RS3 standard and EtherCat amplifiers.

1Φ torque curve with single phase power supply
3Φ = torque curve with three-phase power supply

WITH BRAKE
R2AA06020FCR11M

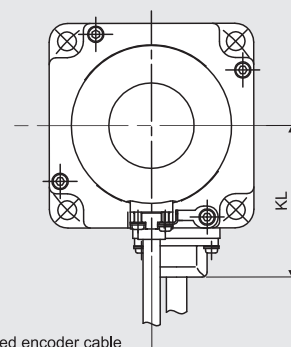
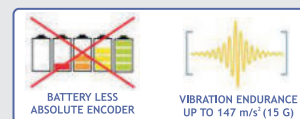
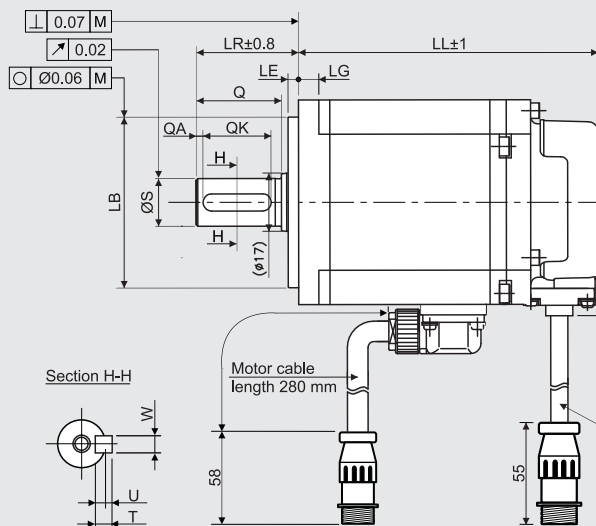
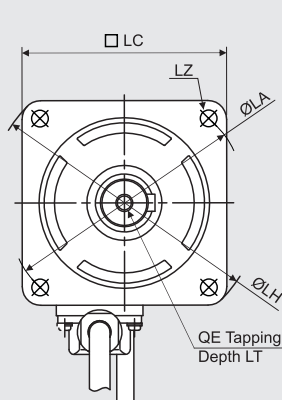


Suggested amplifiers: RS3A03A0AL0W00P, RS3A03A2HA4W00P, RS3A03A0AL2

R2AA06040FXR11M (R2AA06040FCR11M6)

SANYODENKI
SANMOTION

Dimensions (Unit:mm)



without brake LL	with brake LL	LG	KL	LA	LB	LE	LH	LC	LZ	LR	S	Q	QA	QK	W	T	U	QE	LT
105.5	133.5	6	44.4	70	50-0.025 ⁰	3.0	82	60	4-Ø5.5	30	14-0.011 ⁰	25	2	20	5	5	2	M5	12

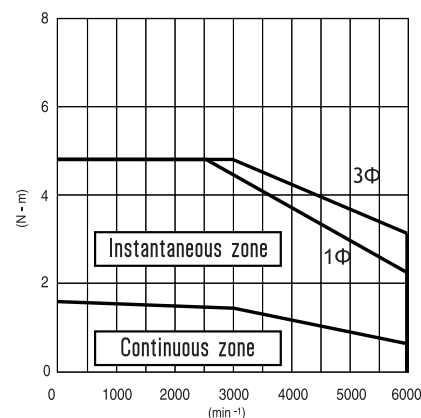
FEATURES

MODEL	R2AA06040FXR11M	
NOMINAL POWER	(W)	400
NOMINAL SPEED	(rpm)	3000
MAXIMUM SPEED	(rpm)	6000
NOMINAL TORQUE	(Nm)	1.270
STALL TORQUE	(Nm)	1.370
MAXIMUM TORQUE	(Nm)	4.80
INERTIA	(Kg·m ²)	0.412×10 ⁻⁴
BATTERY LESS ABSOLUTE ENCODER	SINGLE TURN: 131072 imp/rev (17 bit) MULTI TURN: 65536 turns	
PROTECTION DEGREE	IP67*	
WEIGHT	[version with brake] (Kg)	1.50 [1.90]

* Protection degree IP67 (except for the shaft hole and the edge of the cable).

TORQUE CURVE

R2AA06040F [400W] + RS3A03



WITHOUT BRAKE
R2AA06040FXR11M



Indicated performances refer to motor controlled by related new RS3 standard and EtherCat amplifiers.

1Φ torque curve with single phase power supply
3Φ = torque curve with three-phase power supply

WITH BRAKE
R2AA06040FCR11M6

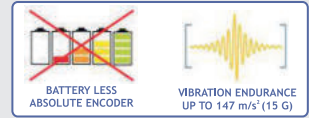
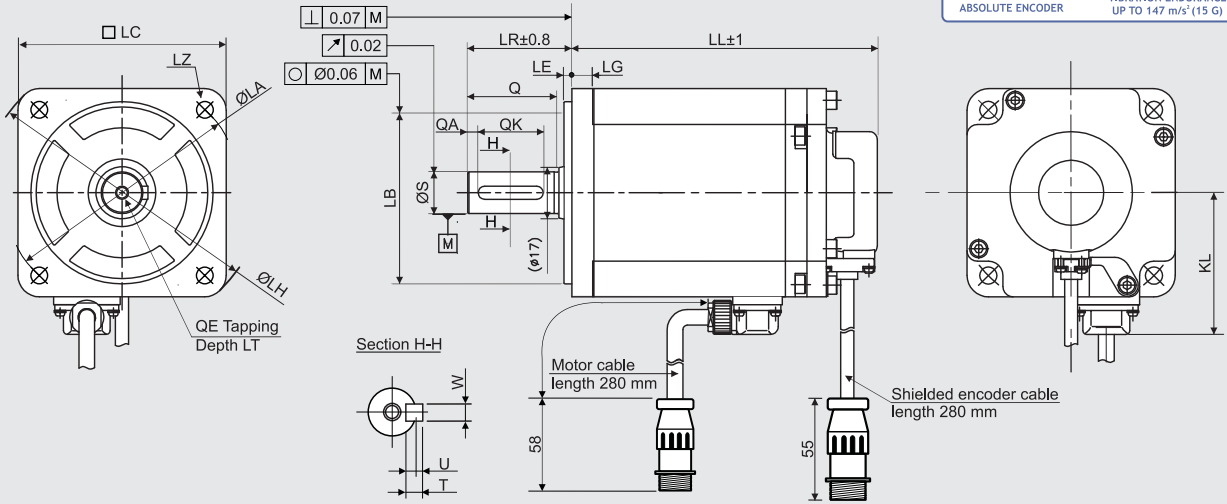


Suggested amplifiers: RS3A03A0AL0W00P, RS3A03A2HA4W00P, RS3A03A0AL2

R2AA08075FXR11M (R2AA08075FCR11M)

SANYO DENKI
SANMOTION

Dimensions (Unit:mm)

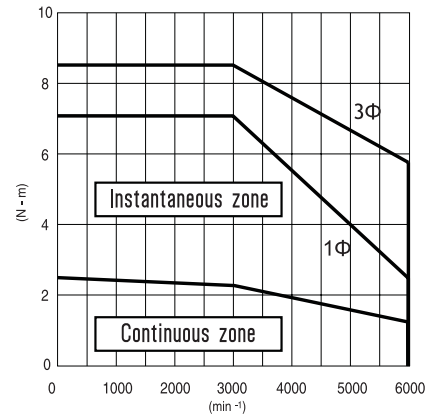


without brake LL	with brake LL	LG	KL	LA	LB	LE	LH	LC	LZ	LR	S	Q	QA	QK	W	T	U	QE	LT
117.3	153	8	54.4	90	70-0.030 ⁰	3.0	108	80	4-Ø6.6	40	16-0.011 ⁰	35	4	25	5	5	2	M5	12

FEATURES

MODEL	R2AA08075FXR11M	
NOMINAL POWER	(W)	750
NOMINAL SPEED	(rpm)	3000
MAXIMUM SPEED	(rpm)	6000
NOMINAL TORQUE	(Nm)	2.390
STALL TORQUE	(Nm)	2.550
MAXIMUM TORQUE	(Nm)	8.50
INERTIA	(Kg·m ²)	1.820×10 ⁻⁴
BATTERY LESS ABSOLUTE ENCODER	SINGLE TURN: 131072 imp/rev (17 bit) MULTI TURN: 65536 turns	
PROTECTION DEGREE	IP67*	
WEIGHT	[version with brake] (Kg)	2.80 [3.70]

TORQUE CURVE R2AA08075F [750W] + RS3A03



* Protection degree IP67 (except for the shaft hole and the edge of the cable).

WITHOUT BRAKE
R2AA08075FXR11M



Indicated performances refer to motor controlled by related new RS3 standard and EtherCat amplifiers.

1Φ torque curve with single phase power supply
3Φ = torque curve with three-phase power supply

WITH BRAKE
R2AA08075FCR11M

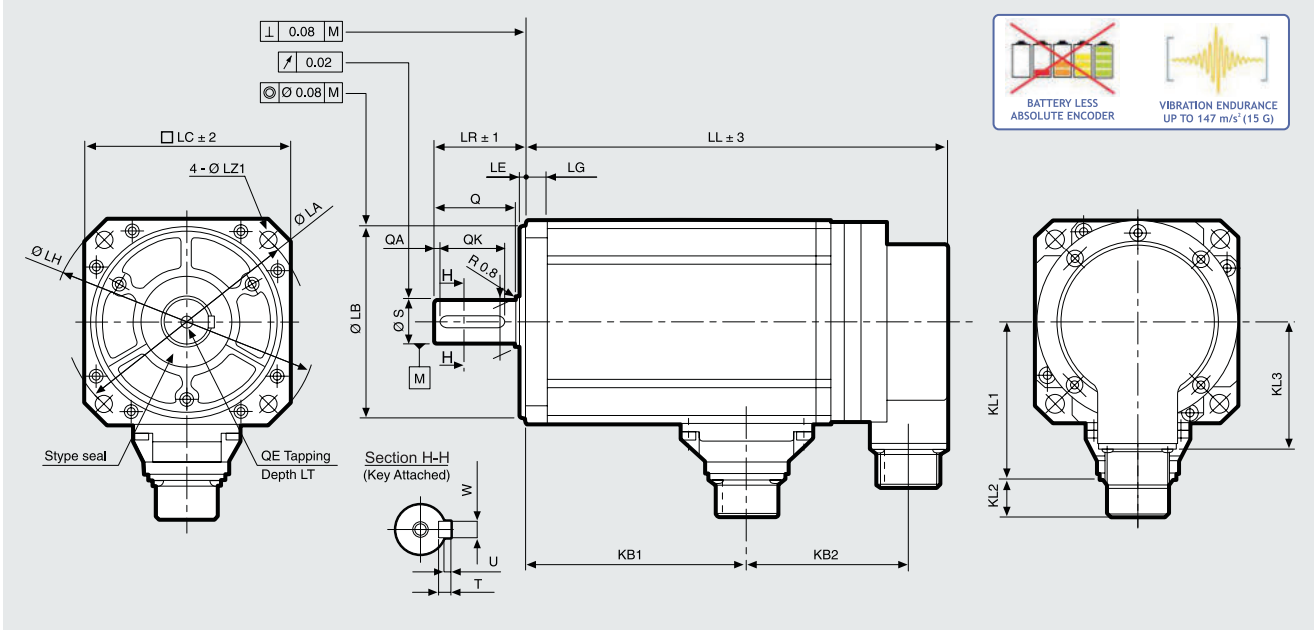


Q2AA10150BXR48M (Q2AA10150BCR48M)

SANYO DENKI
SANMOTION

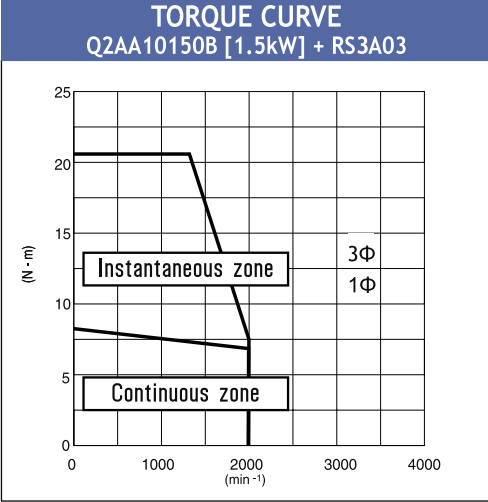


Dimensions (Unit:mm)



without brake		with brake		KL1	KL2	KL3	LG	LA	LB	LE	LH	LC	LZ1	LZ2	LR	S	Q	QA	QK	W	T	U	KB1	QE	LT
LL	KB2	LL	KB2	78	19	64	10	115	95-0.035 ⁰	3	130	100	9	--	45	22-0.013 ⁰	40	3	32	6-0.030 ⁰	6	2.5	128	M6	20

FEATURES		
MODEL	Q2AA10150BXR48M	
NOMINAL POWER	(W)	1500
NOMINAL SPEED	(rpm)	2000
MAXIMUM SPEED	(rpm)	2000
NOMINAL TORQUE	(Nm)	7.2
STALL TORQUE	(Nm)	7.7
MAXIMUM TORQUE	(Nm)	20.5
INERTIA	(Kg·m ²)	8.0×10 ⁻⁴
BATTERY LESS ABSOLUTE ENCODER	SINGLE TURN: 131072 imp/rev (17 bit) MULTI TURN: 65536 turns	
PROTECTION DEGREE	IP67	
WEIGHT	[version with brake] (Kg)	7.0 [8.5]



Indicated performances refer to motor controlled by related performances refer to motor controlled by related new RS3 standard and EtherCat amplifiers.

1Φ = torque curve with single-phase power supply
3Φ = torque curve with three-phase power supply



Suggested amplifiers: RS3A03A0AL0W00P, RS3A03A2HA4W00P, RS3A03A0AL2

SERVO SYSTEMS

230 VAC SERVOMOTORS - INCREMENTAL ENCODER

● For cable options please see the table at the end of the section.

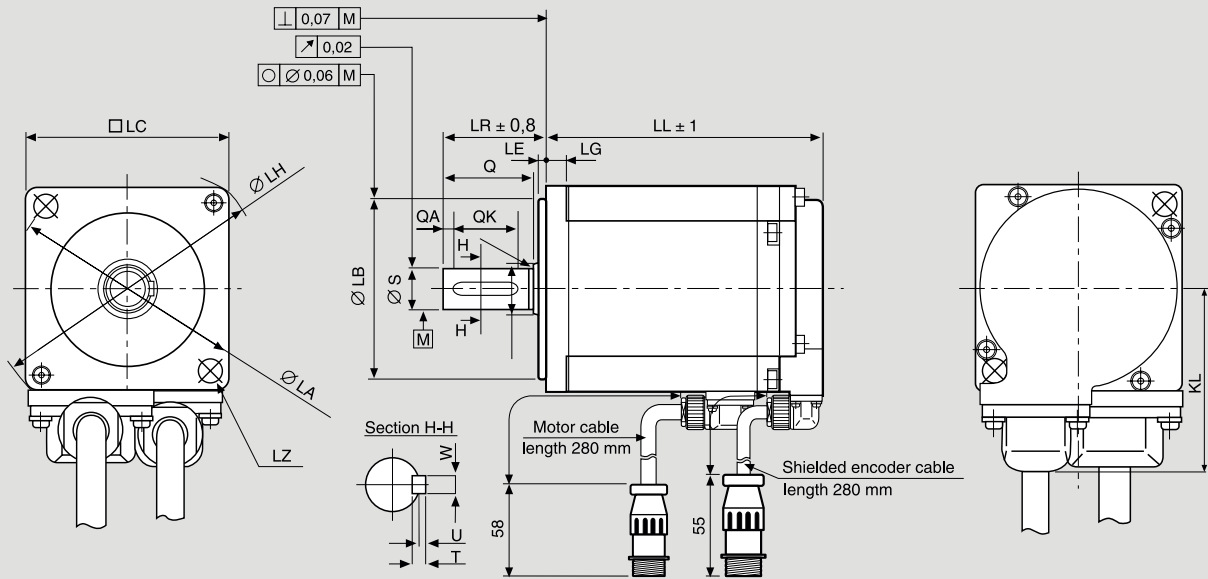


R2AA04010FXH1CM (R2AA04010FCH1CM6)

SANYODENKI
SANMOTION



Dimensions (Unit:mm)



without brake LL	with brake LL	LG	KL	LA	LB	LE	LH	LC	LZ	LR	S	Q	QA	QK	W	T	U	QE	LT
72	108	5	35.4	46	$30-0.021^0$	2.5	56	40	2- $\varnothing 4.5$	25	$8-0.009^0$	20	2	12	3	3	1.2	--	--

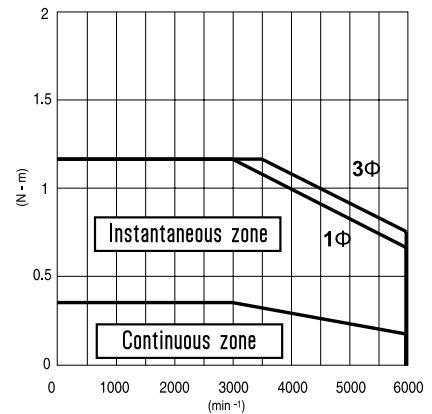
FEATURES

MODEL	R2AA04010FXH1CM
NOMINAL POWER [version with brake] (W)	100 [90]
NOMINAL SPEED (rpm)	3000
MAXIMUM SPEED (rpm)	6000
NOMINAL TORQUE (Nm)	0.318
STALL TORQUE (Nm)	0.318
MAXIMUM TORQUE (Nm)	1.18
INERTIA ($\text{Kg}\cdot\text{m}^2$)	0.0627×10^{-4}
ENCODER (imp./rev)	131072 (17 bit)
PROTECTION DEGREE	IP67*
WEIGHT [version with brake] (Kg)	0.39 [0.62]

* Protection degree IP67 (except for the shaft hole and the edge of the cable).

TORQUE CURVE

R2AA04010F [100W] + RS3A03



WITHOUT BRAKE
R2AA04010FXH1CM



Indicated performances refer to motor controlled by related new RS3 standard and EtherCat amplifiers.

1Φ torque curve with single phase power supply
3Φ = torque curve with three-phase power supply

WITH BRAKE
R2AA04010FCH1CM6

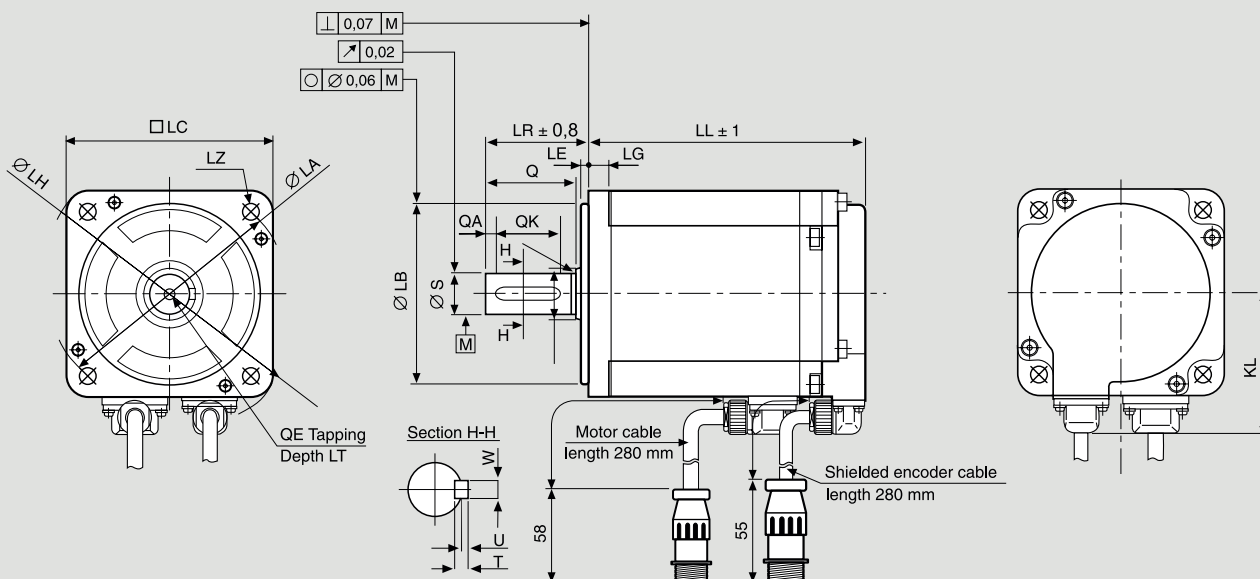


Suggested amplifiers: RS3A03A0AL0W00P, RS3A03A2HA4W00P, RS3A03A0AL2

R2AA06020FXH11M (R2AA06020FCH11M)

SANYODENKI
SANMOTION

Dimensions (Unit:mm)



without brake LL	with brake LL	LG	KL	LA	LB	LE	LH	LC	LZ	LR	S	Q	QA	QK	W	T	U	QE	LT
69.5	97.5	6	44.6	70	50-0.025 ⁰	3.0	82	60	4-Ø5.5	30	14-0.011 ⁰	25	2	20	5	5	2	M5	12

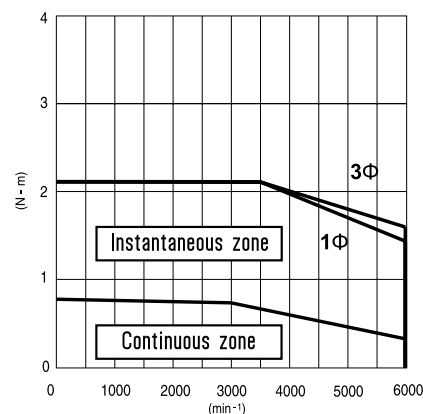
FEATURES

MODEL	R2AA06020FXH11M
NOMINAL POWER [version with brake] (W)	200
NOMINAL SPEED (rpm)	3000
MAXIMUM SPEED (rpm)	6000
NOMINAL TORQUE (Nm)	0.637
STALL TORQUE (Nm)	0.686
MAXIMUM TORQUE (Nm)	2.20
INERTIA (Kg*m ²)	0.219×10 ⁻⁴
ENCODER (imp./rev)	131072 (17 bit)
PROTECTION DEGREE	IP67
WEIGHT [version with brake] (Kg)	0.84 [1.19]

* Protection degree IP67 (except for the shaft hole and the edge of the cable).

TORQUE CURVE

R2AA06020F [200W] + RS3A03



WITHOUT BRAKE
R2AA06020FXH11M



Indicated performances refer to motor controlled by related new RS3 standard and EtherCat amplifiers.

1Φ torque curve with single phase power supply
3Φ = torque curve with three-phase power supply

WITH BRAKE
R2AA06020FCH11M



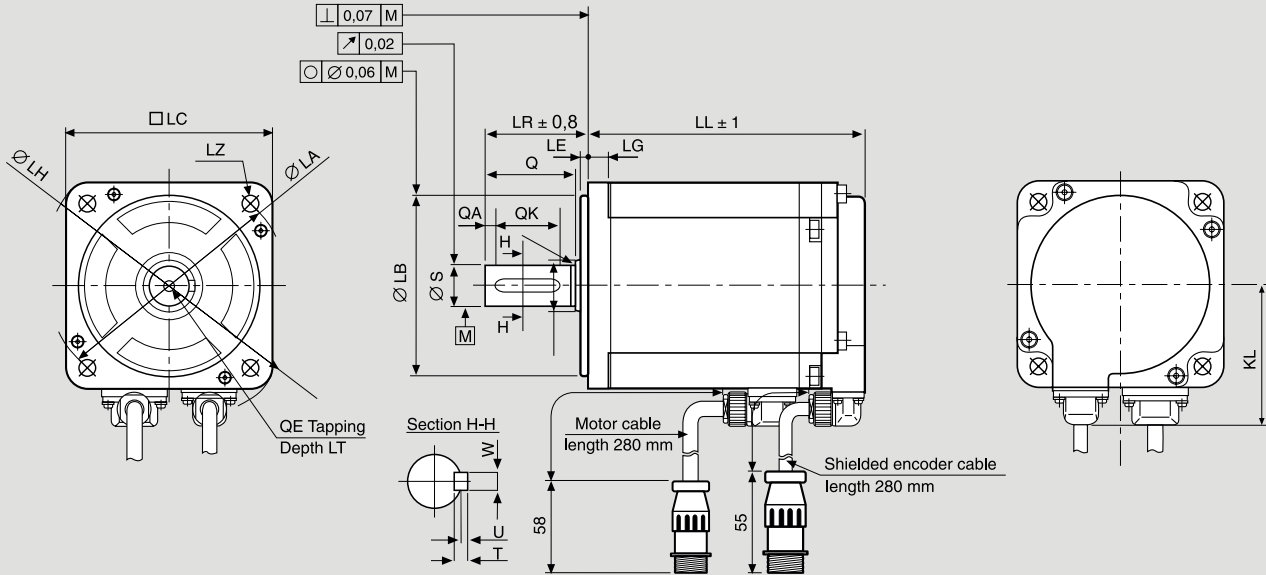
Suggested amplifiers: RS3A03A0AL0W00P, RS3A03A2HA4W00P, RS3A03A0AL2

R2AA06040FXH11M (R2AA06040FCH11M6)

SANYODENKI
SANMOTION



Dimensions (Unit:mm)



without brake LL	with brake LL	LG	KL	LA	LB	LE	LH	LC	LZ	LR	S	Q	QA	QK	W	T	U	QE	LT
95.5	123.5	6	44.6	70	50-0.025 ⁰	3.0	82	60	4-Ø5.5	30	14-0.011 ⁰	25	2	20	5	5	2	M5	12

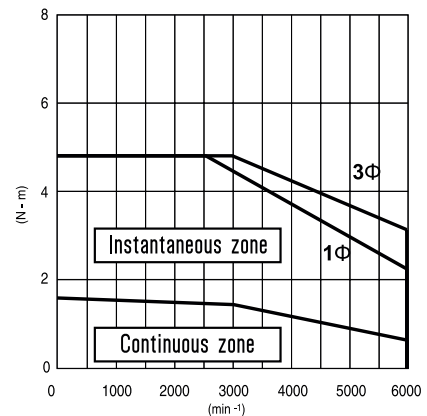
FEATURES

MODEL	R2AA06040FXH11M
NOMINAL POWER [version with brake] (W)	400 [360]
NOMINAL SPEED (rpm)	3000
MAXIMUM SPEED (rpm)	6000
NOMINAL TORQUE (Nm)	1.270
STALL TORQUE (Nm)	1.370
MAXIMUM TORQUE (Nm)	4.80
INERTIA (Kg*m ²)	0.412×10 ⁻⁴
ENCODER (imp./rev)	131072 (17 bit)
PROTECTION DEGREE	IP67
WEIGHT [version with brake] (Kg)	1.30 [1.65]

* Protection degree IP67 (except for the shaft hole and the edge of the cable).

TORQUE CURVE

R2AA06040F [400W] + RS3A03



WITHOUT BRAKE
R2AA06040FXH11M



Indicated performances refer to motor controlled by related new RS3 standard and EtherCat amplifiers.

1Φ torque curve with single phase power supply
3Φ = torque curve with three-phase power supply

WITH BRAKE
R2AA06040FCH11M



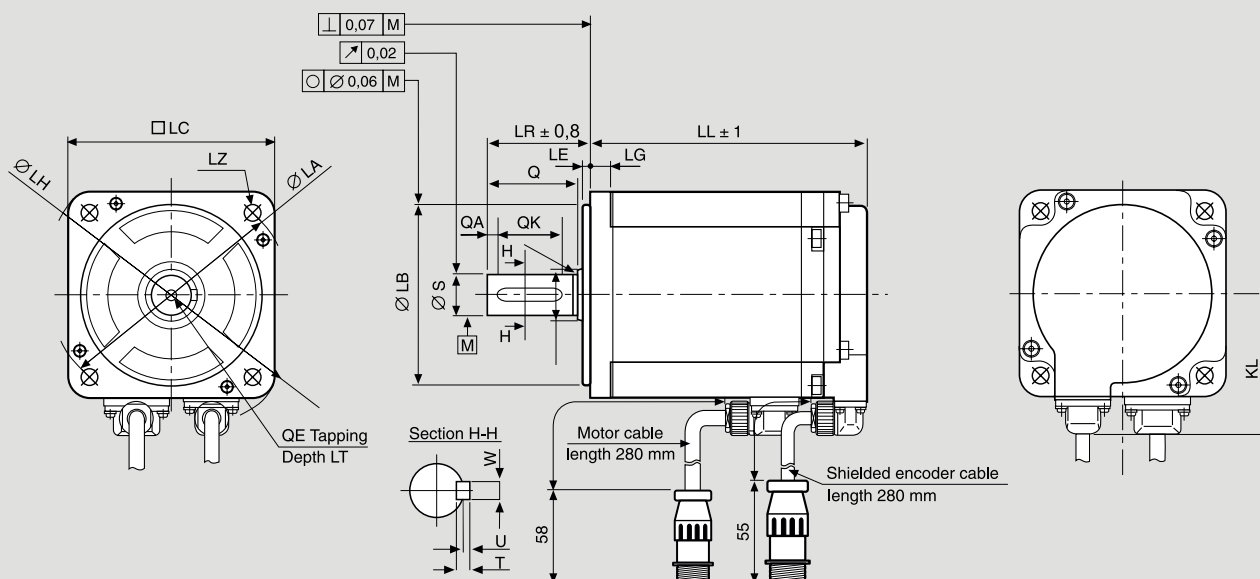
Suggested amplifiers: RS3A03A0AL0W00P, RS3A03A2HA4W00P, RS3A03A0AL2

R2AA08075FXH11M (R2AA08075FCH11M)

SANYODENKI
SANMOTION



Dimensions (Unit:mm)



without brake LL	with brake LL	LG	KL	LA	LB	LE	LH	LC	LZ	LR	S	Q	QA	QK	W	T	U	QE	LT
107.3	143	8	54.4	90	70-0.030 ⁰	3.0	108	80	4-Ø6.6	40	16-0.011 ⁰	35	4	25	5	5	2	M5	12

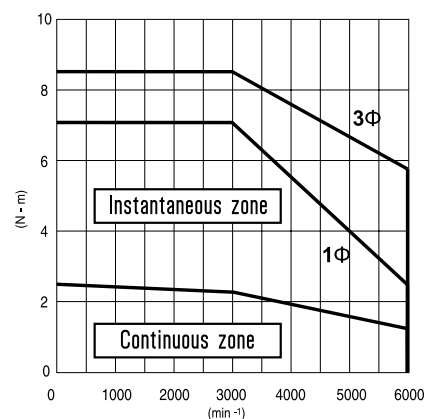
FEATURES

MODEL	R2AA08075FXH11M	
NOMINAL POWER	(W)	750
NOMINAL SPEED	(rpm)	3000
MAXIMUM SPEED	(rpm)	6000
NOMINAL TORQUE	(Nm)	2.390
STALL TORQUE	(Nm)	2.550
MAXIMUM TORQUE	(Nm)	8.50
INERTIA	(Kg*m ²)	1.820×10 ⁻⁴
ENCODER	(imp./rev)	131072 (17 bit)
PROTECTION DEGREE		IP67
WEIGHT	[version with brake] (Kg)	2.60 [3.45]

* Protection degree IP67 (except for the shaft hole and the edge of the cable).

TORQUE CURVE

R2AA08075F [750W] + RS3A03



WITHOUT BRAKE
R2AA08075FXH11M



Indicated performances refer to motor controlled by related new RS3 standard and EtherCat amplifiers.

1Φ torque curve with single phase power supply
3Φ = torque curve with three-phase power supply

WITH BRAKE
R2AA08075FCH11M



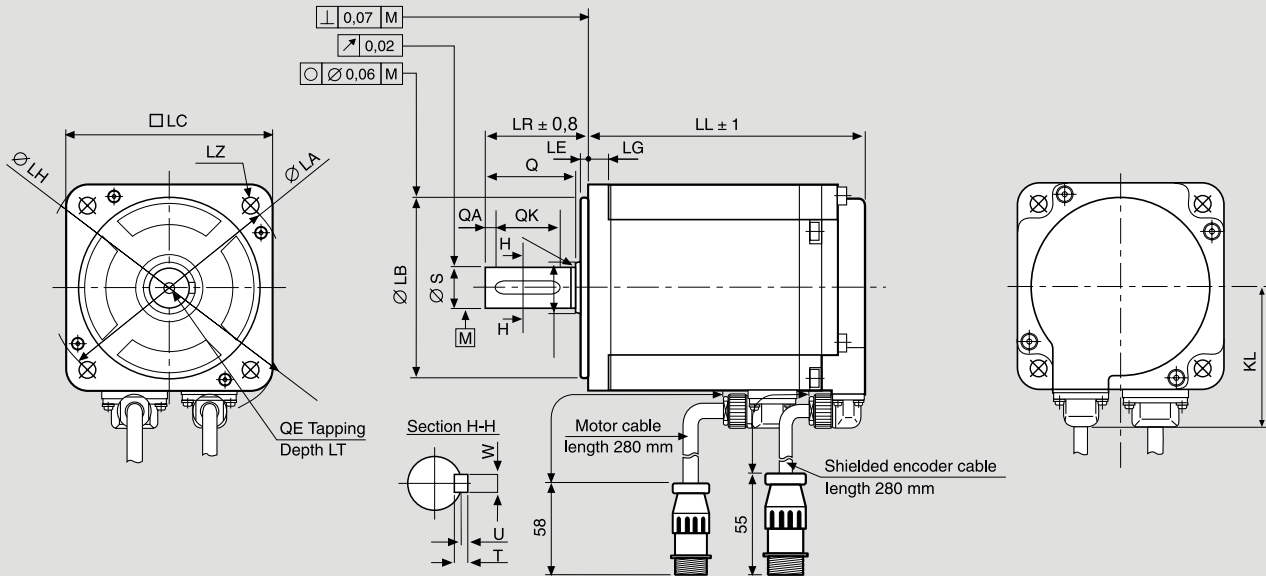
Suggested amplifiers: RS3A03A0ALOW00P, RS3A03A2HA4W00P, RS3A03A0AL2

R2AAB8100HXH29M (R2AAB8100HCH29M)

SANYODENKI
SANMOTION



Dimensions (Unit:mm)



without brake LL	with brake LL	LG	KL	LA	LB	LE	LH	LC	LZ	LR	S	Q	QA	QK	W	T	U	QE	LT
137	163	8	59.4	100	$80-0.003^0$	3.0	115.5	86	4- $\varnothing 6.6$	35	$16-0.011^0$	30	2	25	5	5	2	M5	12

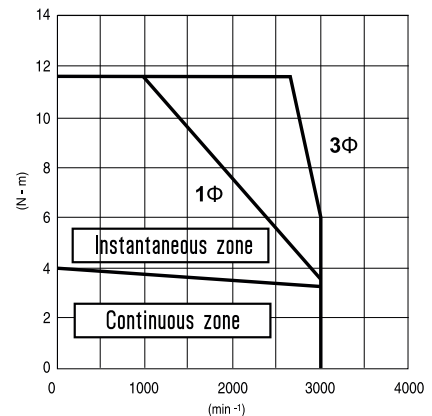
FEATURES

MODEL	R2AAB8100HXH29M	
NOMINAL POWER	(W)	1000
NOMINAL SPEED	(rpm)	3000
MAXIMUM SPEED	(rpm)	3000
NOMINAL TORQUE	(Nm)	3.180
STALL TORQUE	(Nm)	3.920
MAXIMUM TORQUE	(Nm)	11.60
INERTIA	(Kg ² m ²)	2.383×10^{-4}
ENCODER	(imp./rev)	131072 (17 bit)
PROTECTION DEGREE		IP67*
WEIGHT	[version with brake] (Kg)	3.50 [4.30]

* Protection degree IP67 (except for the shaft hole and the edge of the cable).

TORQUE CURVE

R2AAB8100H [1kW] + RS3A03



WITHOUT BRAKE
R2AAB8100HXH29M



Indicated performances refer to motor controlled by related new RS3 standard and EtherCat amplifiers.

1Φ torque curve with single phase power supply
3Φ = torque curve with three-phase power supply

WITH BRAKE
R2AAB8100HCH29M



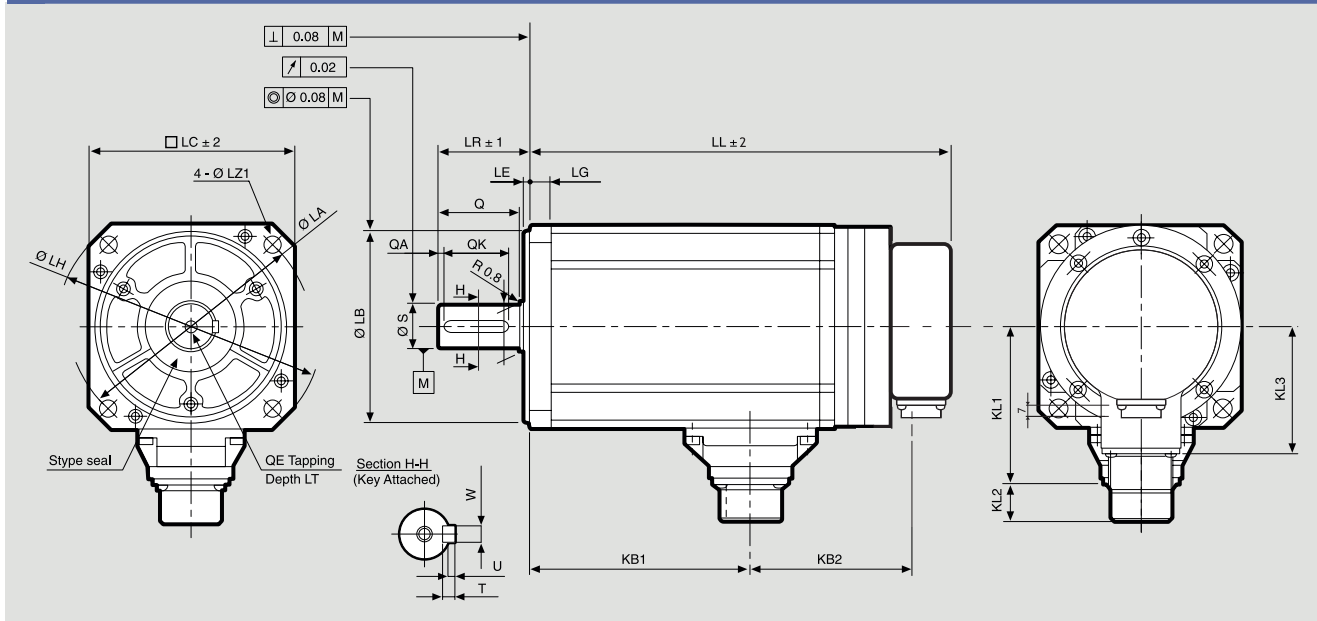
Suggested amplifiers: RS3A03A0ALOW00P, RS3A03A2HA4W00P, RS3A03A0AL2

R1AA10150FXH00M (R1AA10150FCH00M)

SANYO DENKI
SANMOTION



Dimensions (Unit:mm)



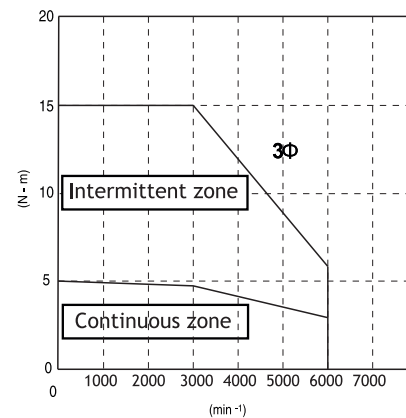
without brake		with brake		KL1	KL2	KL3	LG	LA	LB	LE	LH	LC	LZ1	LZ2	LR	S	Q	QA	QK	W	T	U	KB1	QE	LT
LL	KB2	LL	KB2	78	19	70	10	115	95-0.035 ⁰	3	130	100	9	--	45	22-0.013 ⁰	40	3	32	6-0.030 ⁰	6	2.5	85	M6	20

FEATURES

MODEL	R1AA10150FXH00M	
NOMINAL POWER	(W)	1500
NOMINAL SPEED	(rpm)	3000
MAXIMUM SPEED	(rpm)	6000
NOMINAL TORQUE	(Nm)	4.80
STALL TORQUE	(Nm)	4.90
MAXIMUM TORQUE	(Nm)	15
INERTIA	(Kg*m ²)	2×10 ⁻⁴
ENCODER	(imp./rev)	131072 (17 BIT)
PROTECTION DEGREE		IP65
WEIGHT	[version with brake] (Kg)	5 [6.6]

TORQUE CURVE

R1AA10150F [1.5kW] + RS3A05



R1AA10150FXH00M
R1AA10150FCH00M



Indicated performances refer to motor by related new RS3 standard and EtherCat amplifiers.

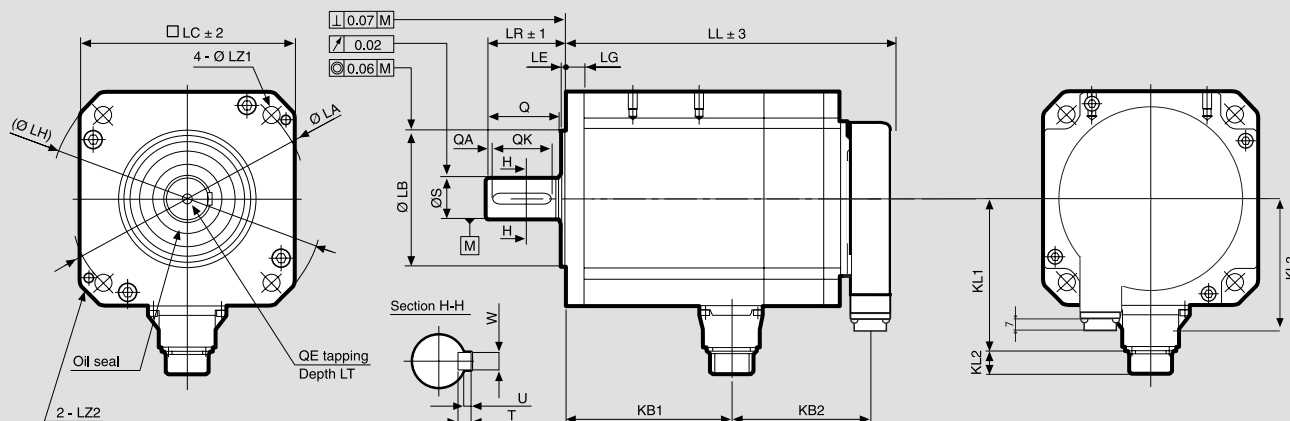
3Φ = torque curve with three-phase power supply

Suggested amplifiers: RS3A05A0AA2, RS3A05A2HA4

R2AA13180HXH00M (R2AA13180HC00M)

SANYO DENKI
SANMOTION

Dimensions (Unit:mm)



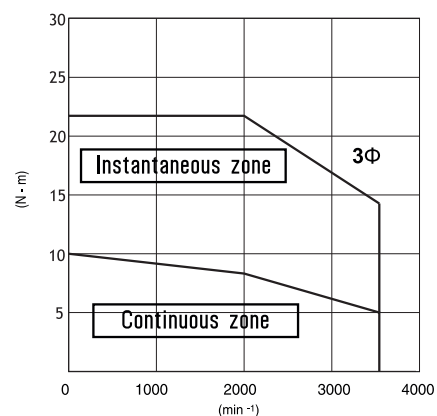
without brake		with brake		KL1	KL2	KL3	LG	LA	LB	LE	LH	LC	LZ1	LZ2	LR	S	Q	QA	QK	W	T	U	KB1	QE	LT
LL	KB2	LL	KB2																						
138	44	179	86	98	21	69	12	145	110-0.035 ⁰	4	165	130	9	M6	55	22-0.013 ⁰	50	3	42	6-0.030 ⁰	6	2.5	81	M6	20

FEATURES

MODEL	R2AA13180HXH00M	
NOMINAL POWER	(W)	1800
NOMINAL SPEED	(rpm)	2000
MAXIMUM SPEED	(rpm)	3500
NOMINAL TORQUE	(Nm)	8.6
STALL TORQUE	(Nm)	10
MAXIMUM TORQUE	(Nm)	22
INERTIA	(Kg*m ²)	9×10 ⁻⁴
ENCODER	(imp./rev)	131072 (17BIT)
PROTECTION DEGREE		IP65
WEIGHT	[version with brake] (Kg)	8 [9.2]

TORQUE CURVE

R2AA13180H [1.8kW] + RS3A05



WITHOUT BRAKE
R2AA13180HXH00M



Indicated performances refer to motor controlled by related RS3 standard and EtherCat amplifiers.

3Φ = torque curve with three-phase power supply

WITH BRAKE
R2AA13180HC00M



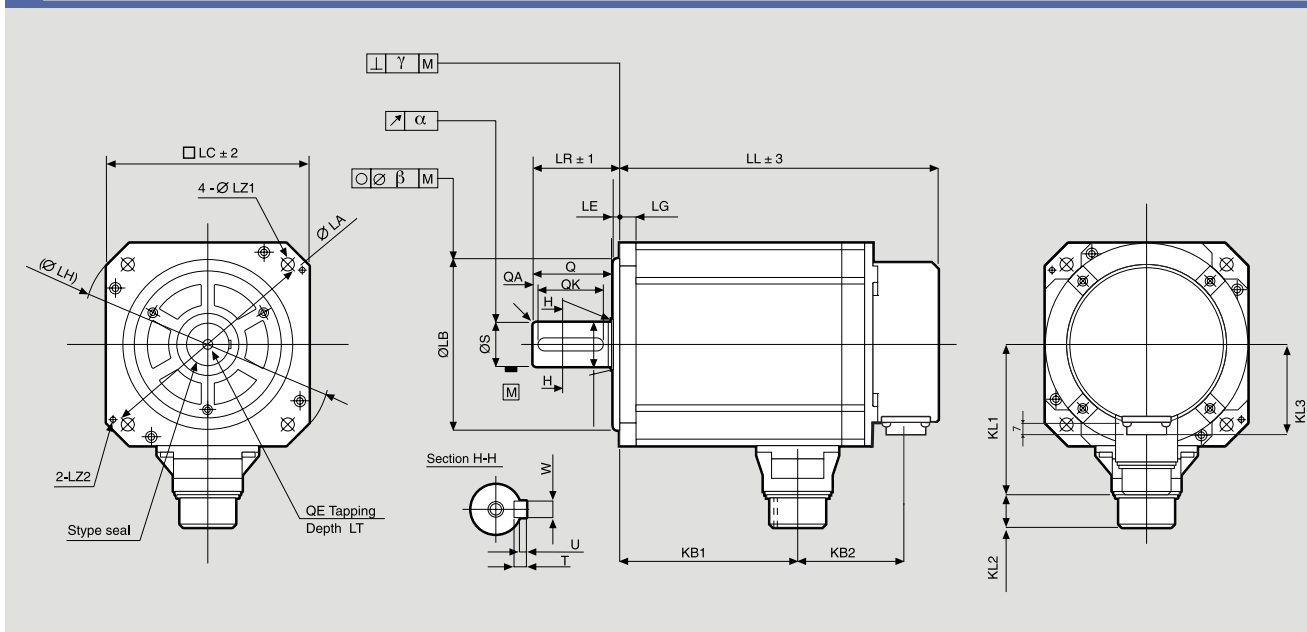
Suggested amplifiers: RS3A05A0AA2, RS3A05A2HA4W00P

R1AA13300FXH00M (R1AA13300FCH00M)

SANYODENKI
SANMOTION



Dimensions (Unit:mm)



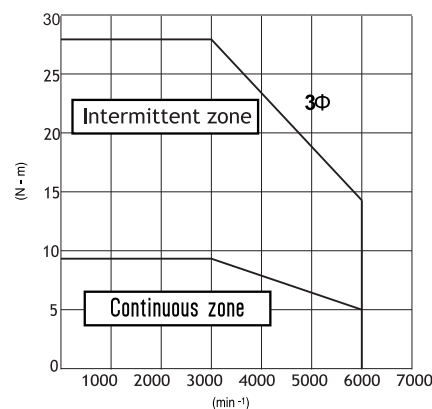
without brake	with brake																																						
LL	KB2	LL	KB2	KL1	KL2	KL3	LG	LA	LB	LE	LH	LC	LZ1	LZ2	LR	S	Q	QA	QK	W	T	U	KB1	QE	LT														
184	57	230	103	98	21	78	12	145	$110-0.035^0$	4	165	130	9	M6	55	$28-0.013^0$	50	3	42	$8-0.036^0$	7	3	112	M8	25														

FEATURES

MODEL	R1AA13300FXH00M	
NOMINAL POWER	(W)	3000
NOMINAL SPEED	(rpm)	3000
MAXIMUM SPEED	(rpm)	6000
NOMINAL TORQUE	(Nm)	9.7
STALL TORQUE	(Nm)	9.7
MAXIMUM TORQUE	(Nm)	29
INERTIA	(Kg*m ²)	7×10^{-4}
ENCODER	(imp./rev)	131072 (17BIT)
PROTECTION DEGREE		IP65
WEIGHT	[version with brake] (Kg)	9.7 [11.8]

TORQUE CURVE

R1AA13300F [3kW] + RS3A10



WITHOUT BRAKE
R1AA13300FXH00M



Indicated performances refer to motor controlled by related new RS3 standard and EtherCat amplifiers.

3Φ = torque curve with three-phase power supply

WITH BRAKE
R1AA13300FC00M



Suggested amplifiers: RS3A10A0AA2, RS3A10A2HA4W00P

SERVO SYSTEMS

400 VAC SERVOMOTORS - INCREMENTAL ENCODER

● For cable options please see the table at the end of the section.



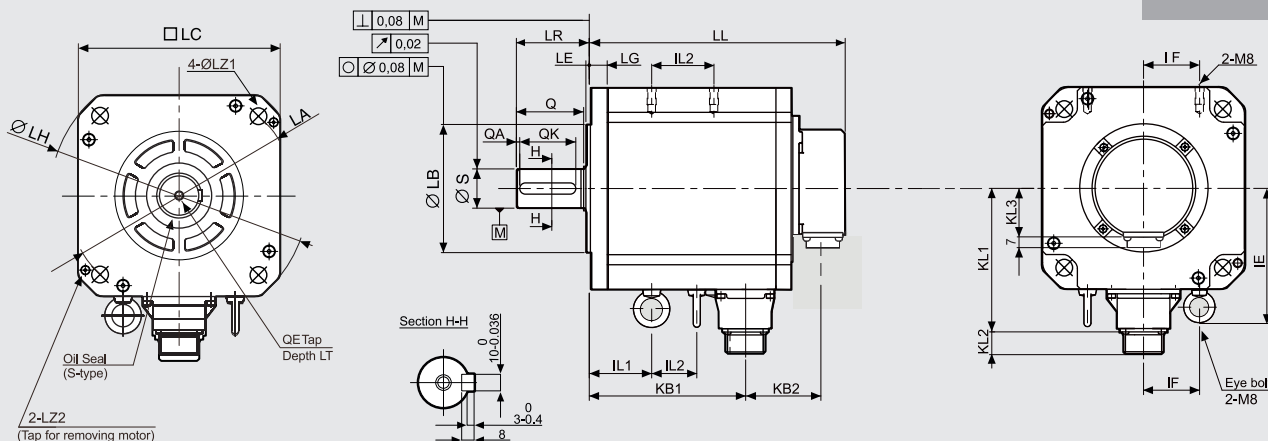
R2CA18350LXH00M

SANYO DENKI
SANMOTION

Dimensions (Unit:mm)

C US

400
VAC

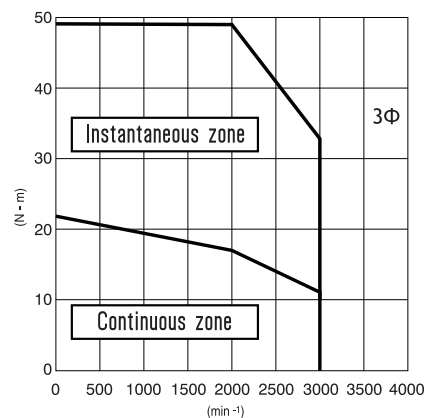


LL	KB2	KL1	KL2	KL3	LG	LA	LB	LE	LH	LC	LZ1	LZ2	LR	S	Q	QA	QK	IL1	IL2	IF	IE	KB1	QE	LT
159	52	123	21	38	16	200	\varnothing 114.3-0.035	3	\varnothing 230	\square 180	\varnothing 13.5	M8	65	\varnothing 35-0.016	60	3	50	47	20	50	123	92	M8	25

FEATURES

MODEL	R2CA18350LXH00M	
NOMINAL POWER	(W)	3500
NOMINAL SPEED	(rpm)	2000
MAXIMUM SPEED	(rpm)	3000
NOMINAL TORQUE	(Nm)	17.0
STALL TORQUE	(Nm)	22.0
MAXIMUM TORQUE	(Nm)	49.0
INERTIA	(Kg \cdot m 2)	40 \times 10 $^{-4}$
ENCODER	(imp./rev)	131072 (17BIT)
PROTECTION DEGREE		IP65
WEIGHT	(Kg)	15.5

TORQUE CURVE R2CA18350LXH [3.5kW] + RS3C05



WITHOUT BRAKE



(Version with brake available on request)

Indicated performances refer to motor controlled by related RS3 standard and EtherCat amplifiers.

3 Φ = torque curve with three-phase power supply

Suggested amplifiers: RS3C05A0AA2, RS3C05A2HA4

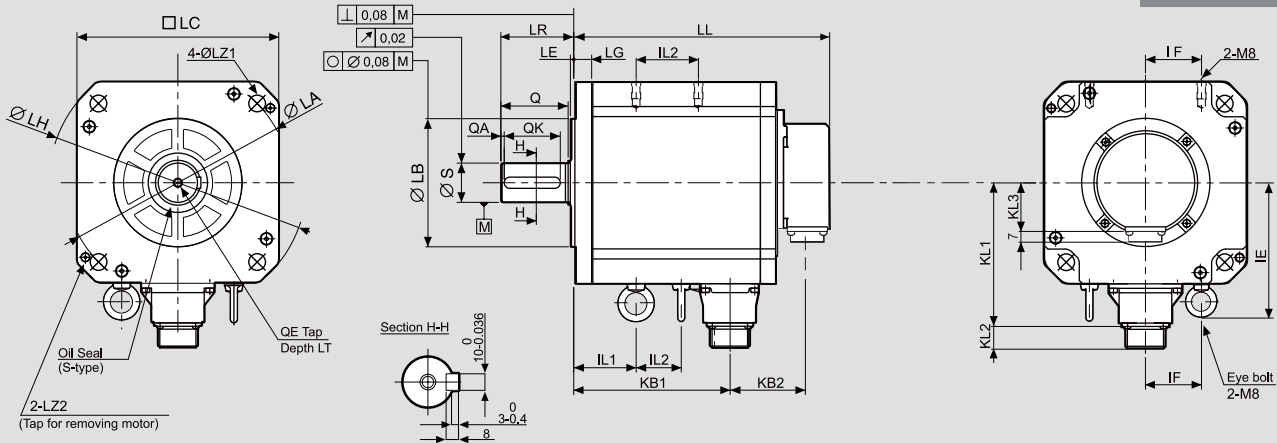
R2CA18450HXH00M

SANYO DENKI
SANMOTION

c US

400
VAC

Dimensions (Unit:mm)



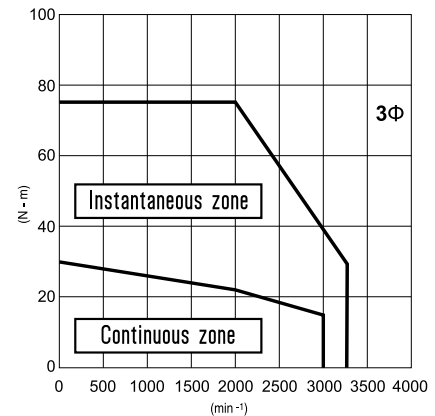
LL	KB2	KL1	KL2	KL3	LG	LA	LB	LE	LH	LC	LZ1	LZ2	LR	S	Q	QA	QK	IL1	IL2	IF	IE	KB1	QE	LT
176	52	123	21	38	16	200	$\begin{matrix} 0 \\ \text{Ø}114.3-0.035 \end{matrix}$	3	$\text{Ø}230$	$\square 180$	$\text{Ø}13.5$	M8	65 ± 1	$\begin{matrix} 0 \\ \text{Ø}35-0.016 \end{matrix}$	60	3	50	57	20	50	123	109	M8	25

FEATURES

MODEL	R2CA18450HXH00M	
NOMINAL POWER	(W)	4500
NOMINAL SPEED	(rpm)	2000
MAXIMUM SPEED	(rpm)	3500
NOMINAL TORQUE	(Nm)	21.5
STALL TORQUE	(Nm)	30
MAXIMUM TORQUE	(Nm)	75.0
INERTIA	(Kg*m ²)	50×10^{-4}
ENCODER	(imp./rev)	131072 (17 BIT)
PROTECTION DEGREE		IP65
WEIGHT	(Kg)	20

TORQUE CURVE

R2CA18450HX [4.5kW] + RS3C10



WITHOUT BRAKE



(Version with brake available on request)

Indicated performances refer to motor controlled by related RS3 standard and EtherCat amplifiers.

3Φ = torque curve with three-phase power supply

Suggested amplifiers: RS3C10A0AA2, RS3C10A2HA4

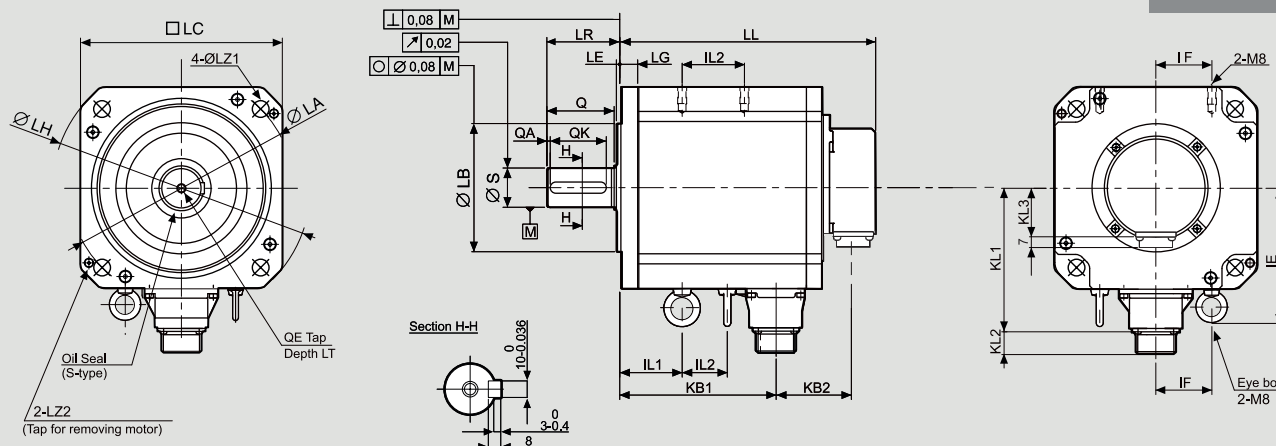
R2CA2215KVXH00M

SANYODENKI
SANMOTION

Dimensions (Unit:mm)

c US

400
VAC



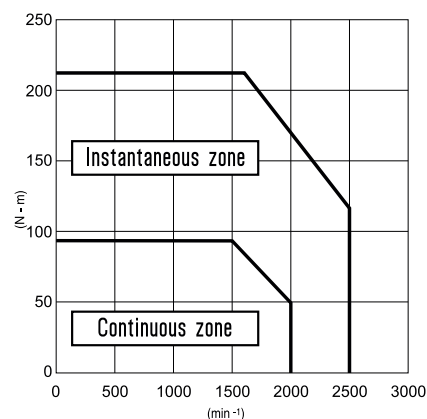
LL	KB2	KL1	KL2	KL3	LG	LA	LB	LE	LH	LC	LZ1	LZ2	LR	S	Q	QA	QK	IL1	IL2	IF	IE	KB1	QE	LT
397	78	162	22	38	19	235	0 Ø200-0.046	4	Ø270	□220	Ø13.5	M10	79	0 Ø55-0.019	79	3	67	98	150	60	142	304	M10	25

FEATURES

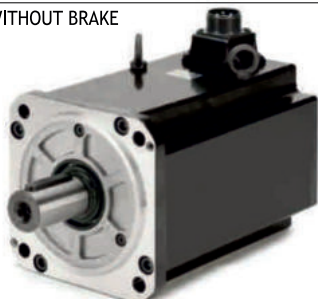
MODEL	R2CA2215KVXH00M	
NOMINAL POWER	(W)	15000
NOMINAL SPEED	(rpm)	1500
MAXIMUM SPEED	(rpm)	2500
NOMINAL TORQUE	(Nm)	95.0
STALL TORQUE	(Nm)	95.0
MAXIMUM TORQUE	(Nm)	215
INERTIA	(Kg*m ²)	288×10 ⁻⁴
ENCODER	(imp./rev)	131072 (17BIT)
PROTECTION DEGREE		IP67
WEIGHT	(Kg)	74

TORQUE CURVE

R2CA2215KVXH [15.0kW] + RS3C15



WITHOUT BRAKE



(Version with brake available on request)

Indicated performances refer to motor controlled by related RS3 standard amplifiers.

Suggested amplifiers: RS3C15A0AL2



CABLE OPTIONS EtherCAT SERVODRIVES

AC SERVOMOTORS	EtherCAT SERVODRIVES				
48 VDC Incremental encoder multi-axis	POWER SUPPLY CABLE	MOTOR CABLE	ENCODER CABLE	HOLDING BRAKE CABLE	DRIVE
R2GD04005FXH1CM	CVAB48ET402M	CVMB48ET4PMXXM	CVEB48ETPMXXM	NO BRAKE	RF2K24A0HL5
R2GD06010DXH11M	CVAB48ET402M	CVMB48ET4PMXXM	CVEB48ETPMXXM	NO BRAKE	
R2GD06020DXH11M	CVAB48ET402M	CVMB48ET4PMXXM	CVEB48ETPMXXM	NO BRAKE	
48 VDC Incremental Encoder single-axis	POWER SUPPLY CABLE	MOTOR CABLE	ENCODER CABLE	HOLDING BRAKE CABLE	DRIVE
R2GD04005FXH1CM	N/A	CVMB48ETPMXXM	CVEB48ETPMXXM	NO BRAKE	RS2K04A2HL5
R2GD06010DXH11M	N/A	CVMB48ETPMXXM	CVEB48ETPMXXM	NO BRAKE	
R2GD06020DXH11M	N/A	CVMB48ETPMXXM	CVEB48ETPMXXM	NO BRAKE	
230 VAC Battery Less Absolute Encoder	POWER SUPPLY CABLE	MOTOR CABLE	ENCODER CABLE	HOLDING BRAKE CABLE	DRIVE
R2AA04010FXR1CM	CVABRAXXM	CVMBRARXXM CVMBRARPXXM	CVEBRARXXM CVEBRARPXXM	NO BRAKE	RS3 A03A2HA4W0OP
R2AA06020FXR11M	CVABRAXXM	CVMBRARXXM CVMBRARPXXM	CVEBRARXXM CVEBRARPXXM	NO BRAKE	
R2AA06040FXR11M	CVABRAXXM	CVMBRARXXM CVMBRARPXXM	CVEBRARXXM CVEBRARPXXM	NO BRAKE	
R2AA08075FXR11M	CVABRAXXM	CVMBRARXXM CVMBRARPXXM	CVEBRARXXM CVEBRARPXXM	NO BRAKE	
R2AAB8100HXR29M	CVABRAXXM	CVMBRARXXM CVMBRARPXXM	CVEBRARXXM CVEBRARPXXM	NO BRAKE	
Q2AA10150BXR48M	N/A	CVMBAR90QHXXM CVMBAR90QHPMXXM	CVEBAR90QHXXM CVEBAR90QHPMXXM	NO BRAKE	
230 VAC Battery Less Multi-turn Absolute Encoder (brake version)	POWER SUPPLY CABLE	MOTOR CABLE	ENCODER CABLE	HOLDING BRAKE CABLE	DRIVE
R2AA04010FCR1CM6	CVABRAXXM	CVMBRARXXM CVMBRARPXXM	CVEBRARXXM CVEBRARPXXM	CVFRPMXXM	RS3 A03A2HA4W0OP
R2AA06020FCR11M	CVABRAXXM	CVMBRARXXM CVMBRARPXXM	CVEBRARXXM CVEBRARPXXM	CVFRPMXXM	
R2AA06040FCR11M	CVABRAXXM	CVMBRARXXM CVMBRARPXXM	CVEBRARXXM CVEBRARPXXM	CVFRPMXXM	
R2AA08075FCR11M	CVABRAXXM	CVMBRARXXM CVMBRARPXXM	CVEBRARXXM CVEBRARPXXM	CVFRPMXXM	
R2AAB8100HCR29M	CVABRAXXM	CVMBRARXXM CVMBRARPXXM	CVEBRARXXM CVEBRARPXXM	CVFRPMXXM	
Q2AA10150BCR48M	N/A	CVMBAR90QHXXM CVMBAR90QHPMXXM	CVEBAR90QHXXM CVEBAR90QHPMXXM	CVFPMXXM	
230 VAC Incremental Encoder	POWER SUPPLY CABLE	MOTOR CABLE	ENCODER CABLE	HOLDING BRAKE CABLE	DRIVE
R2AA04010FXH1CM	CVABRAXXM	CVMBRARXXM CVMBRARPXXM	CVEBRARXXM CVEBRARPXXM	NO BRAKE	RS3 A03A2HA4W0OP
R2AA04010FCH1CM6	CVABRAXXM	CVMBRARXXM CVMBRARPXXM	CVEBRARXXM CVEBRARPXXM	CVFRPMXXM	
R2AA06020FXH11M	CVABRAXXM	CVMBRARXXM CVMBRARPXXM	CVEBRARXXM CVEBRARPXXM	NO BRAKE	
R2AA06020FCH11M	CVABRAXXM	CVMBRARXXM CVMBRARPXXM	CVEBRARXXM CVEBRARPXXM	CVFRPMXXM	
R2AA06040FXH11M	CVABRAXXM	CVMBRARXXM CVMBRARPXXM	CVEBRARXXM CVEBRARPXXM	NO BRAKE	
R2AA06040FCH11M6	CVABRAXXM	CVMBRARXXM CVMBRARPXXM	CVEBRARXXM CVEBRARPXXM	CVFRPMXXM	
R2AA08075FXH11M	CVABRAXXM	CVMBRARXXM CVMBRARPXXM	CVEBRARXXM CVEBRARPXXM	NO BRAKE	

CABLE OPTIONS EtherCAT SERVODRIVES

CABLE OPTIONS EtherCAT SERVODRIVES					
AC SERVMOTORS	EtherCAT SERVODRIVES				
230 VAC Incremental Encoder	POWER SUPPLY CABLE	MOTOR CABLE	ENCODER CABLE	HOLDING BRAKE CABLE	DRIVE
R2AA08075FCH11M	CVABRAXXM	CVMBRARXXM CVMBRARPMXXM	CVEBRARXXM CVEBRARPMXXM	CVFRPMXXM	RS3 A03A2HA4W00P
R2AAB8100HXH29M	CVABRAXXM	CVMBRARXXM CVMBRARPMXXM	CVEBRARXXM CVEBRARPMXXM	NO BRAKE	
R2AAB8100HCH29M	CVABRAXXM	CVMBRARXXM CVMBRARPMXXM	CVEBRARXXM CVEBRARPMXXM	CVFRPMXXM	
Q2AA10150BXH48M	N/A	CVMBAR90QHXXM CVMBAR90QHPMXXM	CVEBAR90QHXXM CVEBAR90QHPMXXM	NO BRAKE	
Q2AA10150BCH48M	N/A	CVMBAR90QHXXM CVMBAR90QHPMXXM	CVEBAR90QHXXM CVEBAR90QHPMXXM	CVFPMXXM	
R1AA10150FXH00M	N/A	CVMBR1AR90XXM CVMBR1ARPM90XXM	CVEBAR1R2XXM CVEBAR1R2PMXXM	NO BRAKE	
R1AA10150FCH00M	N/A	CVMFR1ARPM90XXM	CVEBAR1R2XXM CVEBAR1R2PMXXM	MOTOR CABLE	
R2AA13180HXH00M	N/A	CVMBR2AR90XXM CVMBR2ARPM90XXM	CVEBAR1R2XXM CVEBAR1R2PMXXM	NO BRAKE	
R2AA13180HCH00M	N/A	CVMFR2ARPM90XXM	CVEBAR1R2XXM CVEBAR1R2PMXXM	MOTOR CABLE	
R2AA13200LXHW0M	N/A	CVMBR2AR90XXM CVMBR2ARPM90XXM	CVEBAR1R2XXM CVEBAR1R2PMXXM	NO BRAKE	
R2AA13200LCHW0M	N/A	CVMFR2ARPM90XXM	CVEBAR1R2XXM CVEBAR1R2PMXXM	MOTOR CABLE	
R1AA13300FXH00M	N/A	CVMB3KR1AR90XXM	CVEBAR1R2XXM CVEBAR1R2PMXXM	NO BRAKE	RS3 A10A2HA4W00P
R1AA13300FCH00M	N/A	CONNECTOR ONLY	CVEBAR1R2XXM CVEBAR1R2PMXXM	MOTOR CABLE	
400 VAC Incremental Encoder	POWER SUPPLY CABLE	MOTOR CABLE	ENCODER CABLE	HOLDING BRAKE CABLE	DRIVE
R2CA18350LXH00M	N/A	CONNECTOR ONLY (cable section: 3x2,5mm ²)	CVEBAR1R2XXM CVEBAR1R2PMXXM	NO BRAKE	RS3C05A2HA4
R2CA18450HXH00M	N/A	CONNECTOR ONLY (cable section: 3x4mm ²)	CVEBAR1R2XXM CVEBAR1R2PMXXM	NO BRAKE	RS3C10A2HA4
R2CA2215KVXH00M	N/A	CONNECTOR ONLY (cable section: 3x8mm ²)	CVEBAR1R2XXM CVEBAR1R2PMXXM	NO BRAKE	RS3C15A2HL4

CABLE OPTIONS EtherCAT SERVODRIVES

AC SERVOMOTORS	EtherCAT SERVODRIVES		
48 VDC Incremental encoder multi-axis	STO CABLE	I/O CONNECTOR	DRIVE
R2GD04005FXH1CM	CVSIORAD02M	KCIO48ET	RF2K24A0HL5
R2GD06010DXH11M	CVSIORAD02M	KCIO48ET	
R2GD06020DXH11M	CVSIORAD02M	KCIO48ET	
48 VDC Incremental encoder single-axis	STO CABLE	I/O CONNECTOR	DRIVE
R2GD04005FXH1CM	CVSIORAD02M	CVIOB48ET02M	RS2K04A2HL5
R2GD06010DXH11M	CVSIORAD02M	CVIOB48ET02M	
R2GD06020DXH11M	CVSIORAD02M	CVIOB48ET02M	
230 VAC Battery Less Multi-turn Absolute Encoder	STO CABLE	I/O CONNECTOR	DRIVE
R2AA04010FXR1CM	CVSIORAD02M	CVIORS3ET02M	RS3A03A2HA4W00P
R2AA06020FXR11M	CVSIORAD02M	CVIORS3ET02M	
R2AA06040FXR11M	CVSIORAD02M	CVIORS3ET02M	
R2AA08075FXR11M	CVSIORAD02M	CVIORS3ET02M	
R2AAB8100HXR29M	CVSIORAD02M	CVIORS3ET02M	
Q2AA10150BXR48M	CVSIORAD02M	CVIORS3ET02M	
230 VAC Battery Less Multi-turn Absolute Encoder (brake version)	STO CABLE	I/O CONNECTOR	DRIVE
R2AA04010FCR1CM6	CVSIORAD02M	CVIORS3ET02M	RS3A03A2HA4W00P
R2AA06020FCR11M	CVSIORAD02M	CVIORS3ET02M	
R2AA06040FCR11M	CVSIORAD02M	CVIORS3ET02M	
R2AA08075FCR11M	CVSIORAD02M	CVIORS3ET02M	
R2AAB8100HCR29M	CVSIORAD02M	CVIORS3ET02M	
Q2AA10150BCR48M	CVSIORAD02M	CVIORS3ET02M	
230 VAC Incremental Encoder	STO CABLE	I/O CONNECTOR	DRIVE
R2AA04010FXH1CM	CVSIORAD02M	CVIORS3ET02M	RS3A03A2HA4W00P
R2AA04010FCH1CM6	CVSIORAD02M	CVIORS3ET02M	
R2AA06020FXH11M	CVSIORAD02M	CVIORS3ET02M	
R2AA06020FCH11M	CVSIORAD02M	CVIORS3ET02M	
R2AA06040FXH11M	CVSIORAD02M	CVIORS3ET02M	
R2AA06040FCH11M6	CVSIORAD02M	CVIORS3ET02M	
R2AA08075FXH11M	CVSIORAD02M	CVIORS3ET02M	
R2AA08075FCH11M	CVSIORAD02M	CVIORS3ET02M	
R2AAB8100HXH29M	CVSIORAD02M	CVIORS3ET02M	
R2AAB8100HCH29M	CVSIORAD02M	CVIORS3ET02M	
Q2AA10150BXH48M	CVSIORAD02M	CVIORS3ET02M	
Q2AA10150BCH48M	CVSIORAD02M	CVIORS3ET02M	RS3A05A2HA4W00P
R1AA10150FXH00M	CVSIORAD02M	CVIORS3ET02M	
R1AA10150FCH00M	CVSIORAD02M	CVIORS3ET02M	
R2AA13180HXH00M	CVSIORAD02M	CVIORS3ET02M	
R2AA13180HCH00M	CVSIORAD02M	CVIORS3ET02M	
R2AA13200LXHW0M	CVSIORAD02M	CVIORS3ET02M	
R2AA13200LCHW0M	CVSIORAD02M	CVIORS3ET02M	

CABLE OPTIONS EtherCAT SERVODRIVES

AC SERVMOTORS	EtherCAT SERVODRIVES		
230 VAC Incremental Encoder	STO CABLE	I/O CONNECTOR	DRIVE
R1AA13300FXH00M	CVSIORAD02M	CVIORS3ET02M	RS3A10A2HA4W00P
R1AA13300FCH00M	CVSIORAD02M	CVIORS3ET02M	
400 VAC Incremental Encoder	STO CABLE	I/O CONNECTOR	DRIVE
R2CA18350LXH00M	CVSIORAD02M	CVIORSRET02M	RS3C05A2HA4
R2CA18450HXXH00M	CVSIORAD02M	CVIORS3ET02M	RS3C10A2HA4
R2CA2215KVXH00M	CVSIORAD02M	CVIORS3ET02M	RS3C15A2HL4



CABLE OPTIONS PULSE-TRAIN/ANALOG SERVODRIVES

AC SERVO MOTORS	PULSE-TRAIN/ANALOG SERVODRIVES				
48 VDC Incremental encoder	POWER SUPPLY CABLE	MOTOR CABLE	ENCODER CABLE	HOLDING BRAKE CABLE	DRIVE
R2GD04005FXH1CM	CVAB4802M	CVMB48PMXXM	CVEB48PMXXM	NO BRAKE	RF2G21A0A00
R2GD06010DXH11M	CVAB4802M	CVMB48PMXXM	CVEB48PMXXM	NO BRAKE	
R2GD06020DXH11M	CVAB4802M	CVMB48PMXXM	CVEB48PMXXM	NO BRAKE	
230 VAC Battery Less Multi-turn Absolute Encoder	POWER SUPPLY CABLE	MOTOR CABLE	ENCODER CABLE	HOLDING BRAKE CABLE	DRIVE
R2AA04010FXR1CM	CVABRAXXM	CVMBRARXXM CVMBRARPXXM	CVEBRARXXM CVEBRARPXXM	NO BRAKE	RS3A03A0ALOW00P RS3A03A0AL2
R2AA06020FXR11M	CVABRAXXM	CVMBRARXXM CVMBRARPXXM	CVEBRARXXM CVEBRARPXXM	NO BRAKE	
R2AA06040FXR11M	CVABRAXXM	CVMBRARXXM CVMBRARPXXM	CVEBRARXXM CVEBRARPXXM	NO BRAKE	
R2AA08075FXR11M	CVABRAXXM	CVMBRARXXM CVMBRARPXXM	CVEBRARXXM CVEBRARPXXM	NO BRAKE	
R2AAB8100HXR29M	CVABRAXXM	CVMBRARXXM CVMBRARPXXM	CVEBRARXXM CVEBRARPXXM	NO BRAKE	
Q2AA10150BXR48M	N/A	CVMBAR90QHXXM CVMBAR90QHPMXXM	CVEBAR90QHXXM CVEBAR90QHPMXXM	NO BRAKE	
230 VAC Battery Less Multi-turn Absolute Encoder (brake version)	POWER SUPPLY CABLE	MOTOR CABLE	ENCODER CABLE	HOLDING BRAKE CABLE	DRIVE
R2AA04010FCR1CM6	CVABRAXXM	CVMBRARXXM CVMBRARPXXM	CVEBRARXXM CVEBRARPXXM	CVFRPMXXM	RS3A03A0ALOW00P RS3A03A0AL2
R2AA06020FCR11M	CVABRAXXM	CVMBRARXXM CVMBRARPXXM	CVEBRARXXM CVEBRARPXXM	CVFRPMXXM	
R2AA06040FCR11M6	CVABRAXXM	CVMBRARXXM CVMBRARPXXM	CVEBRARXXM CVEBRARPXXM	CVFRPMXXM	
R2AA08075FCR11M	CVABRAXXM	CVMBRARXXM CVMBRARPXXM	CVEBRARXXM CVEBRARPXXM	CVFRPMXXM	
R2AAB8100HCR29M	CVABRAXXM	CVMBRARXXM CVMBRARPXXM	CVEBRARXXM CVEBRARPXXM	CVFRPMXXM	
Q2AA10150BCR48M	N/A	CVMBAR90QHXXM CVMBAR90QHPMXXM	CVEBAR90QHXXM CVEBAR90QHPMXXM	CVFPMXXM	
230 VAC Incremental Encoder	POWER SUPPLY CABLE	MOTOR CABLE	ENCODER CABLE	HOLDING BRAKE CABLE	DRIVE
R2AA04010FXH1CM	CVABRAXXM	CVMBRARXXM CVMBRARPXXM	CVEBRARXXM CVEBRARPXXM	NO BRAKE	RS3A03A0ALOW00P RS3A03A0AL2
R2AA04010FCH1CM6	CVABRAXXM	CVMBRARXXM CVMBRARPXXM	CVEBRARXXM CVEBRARPXXM	CVFRPMXXM	
R2AA06020FXH11M	CVABRAXXM	CVMBRARXXM CVMBRARPXXM	CVEBRARXXM CVEBRARPXXM	NO BRAKE	
R2AA06020FCH11M	CVABRAXXM	CVMBRARXXM CVMBRARPXXM	CVEBRARXXM CVEBRARPXXM	CVFRPMXXM	
R2AA06040FXH11M	CVABRAXXM	CVMBRARXXM CVMBRARPXXM	CVEBRARXXM CVEBRARPXXM	NO BRAKE	
R2AA06040FCH11M6	CVABRAXXM	CVMBRARXXM CVMBRARPXXM	CVEBRARXXM CVEBRARPXXM	CVFRPMXXM	
R2AA08075FXH11M	CVABRAXXM	CVMBRARXXM CVMBRARPXXM	CVEBRARXXM CVEBRARPXXM	NO BRAKE	
R2AA08075FCH11M	CVABRAXXM	CVMBRARXXM CVMBRARPXXM	CVEBRARXXM CVEBRARPXXM	CVFRPMXXM	
R2AAB8100HXH29M	CVABRAXXM	CVMBRARXXM CVMBRARPXXM	CVEBRARXXM CVEBRARPXXM	NO BRAKE	
R2AAB8100HCH29M	CVABRAXXM	CVMBRARXXM CVMBRARPXXM	CVEBRARXXM CVEBRARPXXM	CVFRPMXXM	

CABLE OPTIONS PULSE-TRAIN/ANALOG SERVODRIVES

CABLE OPTIONS PULSE-TRAIN/ANALOG SERVODRIVES						
AC SERVMOTORS	PULSE-TRAIN/ANALOG SERVODRIVES					
230 VAC Incremental Encoder	POWER SUPPLY CABLE	MOTOR CABLE	ENCODER CABLE	HOLDING BRAKE CABLE	DRIVE	
Q2AA10150BXH48M	N/A	CVMBAR90QHXXM CVMBAR90QHPMXXM	CVEBAR90QHXXM CVEBAR90QHPMXXM	NO BRAKE	RS3A03A0AL0W00P RS3A03A0AL2	
Q2AA10150BCH48M	N/A	CVMBAR90QHXXM CVMBAR90QHPMXXM	CVEBAR90QHXXM CVEBAR90QHPMXXM	CVFPMXXM		
R1AA10150FXH00M	N/A	CVMBR1AR90XXM CVMBR1ARPM90XXM	CVEBAR1R2XXM CVEBAR1R2PMXXM	NO BRAKE	RS3A05A0AA2W00P	
R1AA10150FCH00M	N/A	CVMFR1ARPM90XXM	CVEBAR1R2XXM CVEBAR1R2PMXXM	MOTOR CABLE		
R2AA13180HXH00M	N/A	CVMBR2AR90XXM CVMBR2ARPM90XXM	CVEBAR1R2XXM CVEBAR1R2PMXXM	NO BRAKE		
R2AA13180HCH00M	N/A	CVMFR2ARPM90XXM	CVEBAR1R2XXM CVEBAR1R2PMXXM	MOTOR CABLE		
R2AA13200LXHW0M	N/A	CVMBR2AR90XXM CVMBR2ARPM90XXM	CVEBAR1R2XXM CVEBAR1R2PMXXM	NO BRAKE		
R2AA13200LCHW0M	N/A	CVMFR2ARPM90XXM	CVEBAR1R2XXM CVEBAR1R2PMXXM	MOTOR CABLE		
R1AA13300FXH00M	N/A	CVMB3KR1AR90XXM	CVEBAR1R2XXM CVEBAR1R2PMXXM	NO BRAKE		
R1AA13300FCH00M	N/A	CONNECTOR ONLY	CVEBAR1R2XXM CVEBAR1R2PMXXM	MOTOR CABLE		
						RS3A10A0AA2
400 VAC Incremental Encoder	POWER SUPPLY CABLE	MOTOR CABLE	ENCODER CABLE	HOLDING BRAKE CABLE	DRIVE	
R2CA18350LXH00M	N/A	CONNECTOR ONLY (cable section: 3x2,5mm ²)	CVEBAR1R2XXM CVEBAR1R2PMXXM	NO BRAKE	RS3C05A0AA2	
R2CA18450HXH00M	N/A	CONNECTOR ONLY (cable section: 3x4mm ²)	CVEBAR1R2XXM CVEBAR1R2PMXXM	NO BRAKE	RS3C10A0AA2	
R2CA2215KVXH00M	N/A	CONNECTOR ONLY (cable section: 3x8mm ²)	CVEBAR1R2XXM CVEBAR1R2PMXXM	NO BRAKE	RS3C15A0AL2	

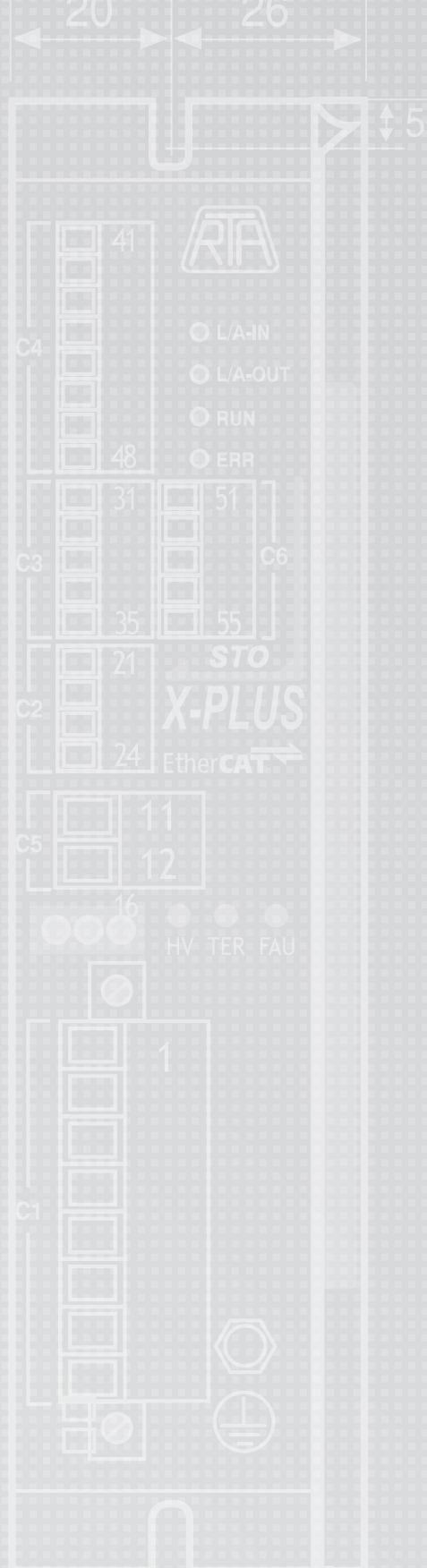


CABLE OPTIONS PULSE-TRAIN/ANALOG SERVODRIVES

AC SERVOMOTORS	PULSE-TRAIN/ANALOG SERVODRIVES		
48 VDC Incremental encoder	STO CABLE	I/O CONNECTOR	DRIVE
R2GD04005FXH1CM	no SIL	CVSDB4802M-CVIOB4802M	
R2GD06010DXH11M	no SIL	CVSDB4802M-CVIOB4802M	RF2G21A0A00
R2GD06020DXH11M	no SIL	CVSDB4802M-CVIOB4802M	
230 VAC Battery Less Multi-turn Absolute Encoder	STO CABLE	I/O CONNECTOR	DRIVE
R2AA04010FXR1CM	CVSIORAD02M-BPS01	CVLBRR02M-KCQ02	
R2AA06020FXR11M	CVSIORAD02M-BPS01	CVLBRR02M-KCQ02	
R2AA06040FXR11M	CVSIORAD02M-BPS01	CVLBRR02M-KCQ02	RS3A03A0ALOW00P RS3A03A0AL2
R2AA08075FXR11M	CVSIORAD02M-BPS01	CVLBRR02M-KCQ02	
R2AAB8100HXR29M	CVSIORAD02M-BPS01	CVLBRR02M-KCQ02	
Q2AA10150BXR48M	CVSIORAD02M-BPS01	CVLBRR02M-KCQ02	
230 VAC Battery Less Multi-turn Absolute Encoder (brake version)	STO CABLE	I/O CONNECTOR	DRIVE
R2AA04010FCR1CM6	CVSIORAD02M-BPS01	CVLBRR02M-KCQ02	
R2AA06020FCR11M	CVSIORAD02M-BPS01	CVLBRR02M-KCQ02	
R2AA06040FCR11M6	CVSIORAD02M-BPS01	CVLBRR02M-KCQ02	RS3A03A0ALOW00P RS3A03A0AL2
R2AA08075FCR11M	CVSIORAD02M-BPS01	CVLBRR02M-KCQ02	
R2AAB8100HCR29M	CVSIORAD02M-BPS01	CVLBRR02M-KCQ02	
Q2AA10150BCR48M	CVSIORAD02M-BPS01	CVLBRR02M-KCQ02	
230 VAC Incremental Encoder	STO CABLE	I/O CONNECTOR	DRIVE
R2AA04010FXH1CM	CVSIORAD02M-BPS01	CVLBRR02M-KCQ02	
R2AA04010FCH1CM6	CVSIORAD02M-BPS01	CVLBRR02M-KCQ02	
R2AA06020FXH11M	CVSIORAD02M-BPS01	CVLBRR02M-KCQ02	
R2AA06020FCH11M	CVSIORAD02M-BPS01	CVLBRR02M-KCQ02	
R2AA06040FXH11M	CVSIORAD02M-BPS01	CVLBRR02M-KCQ02	
R2AA06040FCH11M6	CVSIORAD02M-BPS01	CVLBRR02M-KCQ02	RS3A03A0ALOW00P RS3A03A0AL2
R2AA08075FXH11M	CVSIORAD02M-BPS01	CVLBRR02M-KCQ02	
R2AA08075FCH11M	CVSIORAD02M-BPS01	CVLBRR02M-KCQ02	
R2AAB8100HXH29M	CVSIORAD02M-BPS01	CVLBRR02M-KCQ02	
R2AAB8100HCH29M	CVSIORAD02M-BPS01	CVLBRR02M-KCQ02	
Q2AA10150BXH48M	CVSIORAD02M-BPS01	CVLBRR02M-KCQ02	
Q2AA10150BCH48M	CVSIORAD02M-BPS01	CVLBRR02M-KCQ02	
R1AA10150FXH00M	CVSIORAD02M-BPS01	CVLBRR02M-KCQ02	
R1AA10150FCH00M	CVSIORAD02M-BPS01	CVLBRR02M-KCQ02	RS3A05A0AA2W00P

CABLE OPTIONS PULSE-TRAIN/ANALOG SERVODRIVES

CABLE OPTIONS PULSE-TRAIN/ANALOG SERVODRIVES			
AC SERVOMOTORS	PULSE-TRAIN/ANALOG SERVODRIVES		
230 VAC Incremental Encoder	STO CABLE	I/O CONNECTOR	DRIVE
R2AA13180HXH00M	CVSIORAD02M-BPS01	CVLBRR02M-KCQ02	RS3A05A0AA2W00P
R2AA13180HCH00M	CVSIORAD02M-BPS01	CVLBRR02M-KCQ02	
R2AA13200LXHW0M	CVSIORAD02M-BPS01	CVLBRR02M-KCQ02	
R2AA13200LCHW0M	CVSIORAD02M-BPS01	CVLBRR02M-KCQ02	
R1AA13300FXH00M	CVSIORAD02M-BPS01	CVLBRR02M-KCQ02	RS3A10A0AA2
R1AA13300FCH00M	CVSIORAD02M-BPS01	CVLBRR02M-KCQ02	
400 VAC Incremental Encoder	STO CABLE	I/O CONNECTOR	DRIVE
R2CA18350LXH00M	CVSIORAD02M-BPS01	CVLBRR02M-KCQ02	RS3C05A0AA2
R2CA18450HXH00M	CVSIORAD02M-BPS01	CVLBRR02M-KCQ02	RS3C10A0AA2
R2CA2215KVXH00M	CVSIORAD02M-BPS01	CVLBRR02M-KCQ02	RS3C15A0AL2



ITALY

Corporate Headquarters

R.T.A.srl
 Via E. Mattei 15, Fraz. Divisa - 27020 Marcignago (PV) ITALY
 T +39.0382.929.855 | F +39.0382.929.150 | info@rta.it
 www.rta.it

Local Branches

R.T.A. Filiale Centro
 Centro Direzionale Cavour
 Via Cavour 2, 40055 Villanova di Castenaso (BO) ITALY
 T +39.051.780141 | rtabo@rta.it

R.T.A. Filiale Nord-Est
 Via D. Alighieri 4, 30034 Mira (VE) ITALY
 T +39.041.5600332 | F +39.041.5600165 | rtane@rta.it

GERMANY

R.T.A. Deutschland GmbH
 Bublitzer Strasse 34, 40599 Düsseldorf GERMANY
 T +49.211.749.668.60 | F +49.211.749.668.66 | info@rta-deutschland.de
 www.rta-deutschland.de

SPAIN

R.T.A. Ibérica
 C/Generalitat 22, Local 1 - 08850 Gava - Barcelona SPAIN
 T +34 936.388.805 | F +34 936.334.595 | info@rta-iberica.es
 www.rta-iberica.es

INDIA

R.T.A. India Pvt
 Teerth Business Center
 3rd Floor, Unit No. 7, Block EL - 15, MIDC Bhosari
 Pimpri-Chinchwad, Pune 411026 INDIA
 T +91 942.250.744.5 | rtain@rta-india.in
 www.rta-india.in



CATALOGUE
 DIGITAL EDITION



Look Ahead!