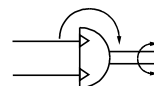


HRS Series



Ordering code

HRS 20 X 90° T



① Model	② Specification	③ Rotating angle	④ Thread type
HRS: Rotary Table/Rack & Pinion Style	10	90° 180°	No this code
	15		T: NPT
	20		
	30		
	40		

[Note] HRS series are all come with magnet.

Specification

Specification	10	15	20	30	40
Acting type	Double rack and pinion(Double acting)				
Fluid	Air(to be filtered by 40µm filter element)				
Operating pressure	37~100psi(0.25~0.7MPa)	22~100psi(0.15~0.7MPa)			
Proof pressure	175psi(1.2MPa)				
Temperature	-20~70°C				
Angle adjustment range	0~190°				
Repeatable precision	0.2°				
Theoretic moment(N.m)(75psi)	0.33	1.1	2.2	2.8	5
Cushion type	Rubber bumper		Bumper and air cushion		
Port size	M5×0.8		1/8" [Note1]		
Weight g	145	359	822	1120	1806

[Note1] NPT thread is available.

Add) Refer to P535 for detail of sensor.

Product feature

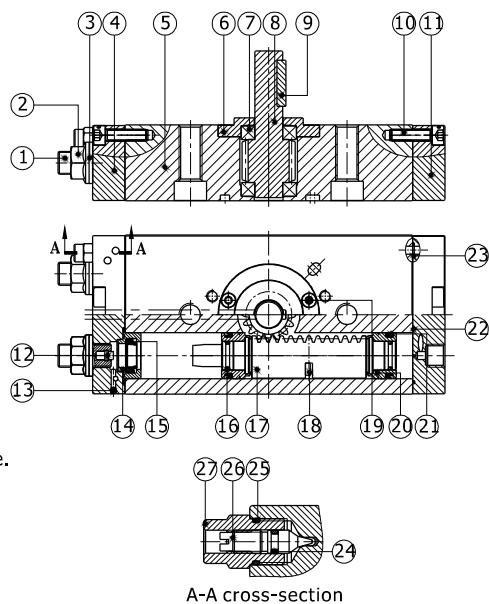
1. Rack and pinion design, stable functioning.
2. Double cylinder structure, double force could be achieved.
3. Guide hole is designed on the both side of the cylinder body, which is simple to install.
4. Standard come with both bumper and air cushion, providing excellent cushion performance.

Note : HRS10/15 only has bumpers (do not have air cushion).

HRS Series

Inner structure and material of major parts

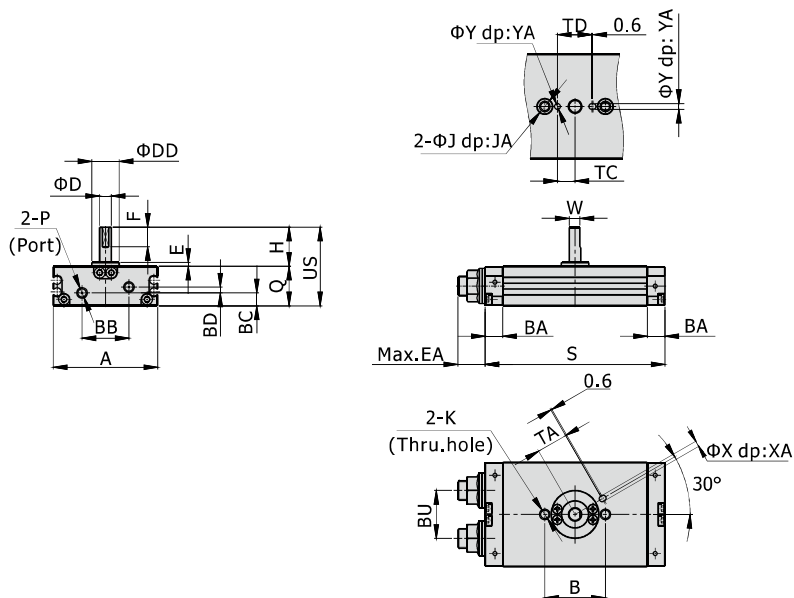
NO.	Item	NO.	Item
1	Adjustment bolt	15	O-ring
2	Hexagon nut	16	O-ring
3	Seal washer	17	Rack
4	Front cover	18	Magnet
5	Body	19	Hexagon socket head cap bolt
6	Top cap	20	Piston
7	Deep-groove bearing	21	Piston seal
8	Gear shaft	22	O-ring
9	Flat key	23	O-ring
10	Hexagon socket head cap bolt	24	O-ring
11	Back cover	25	O-ring
12	Bumper	26	Air cushion screw
13	Steel ball	27	Screw
14	Buffering Cap		



Note: inner structure & material data sheet is based on certain bore size.
Please contact AirTAC if you need inner structure & material data sheet for specific bore size.

Dimensions

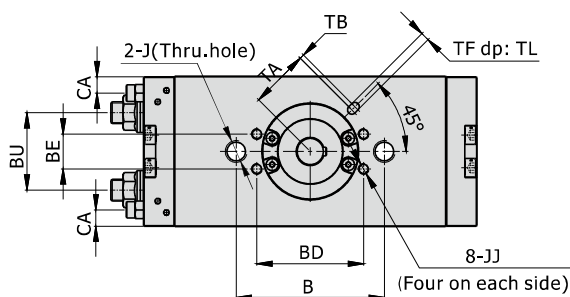
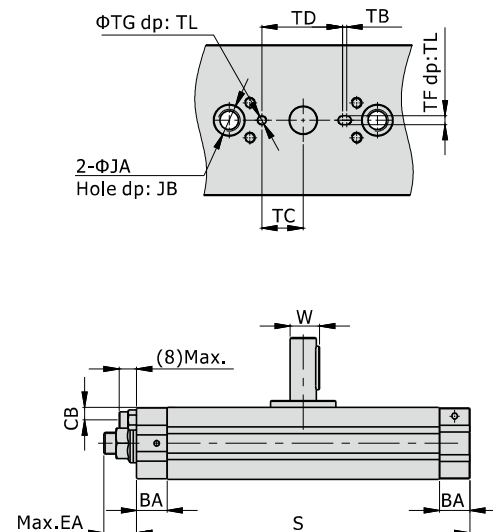
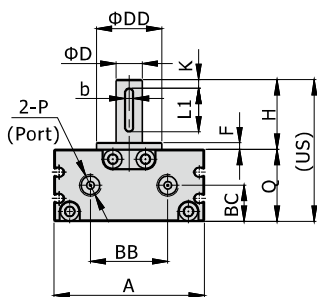
HRS10/15



Type	Item	Rotating angle	A	EA	B	BA	BB	BC	BD	BU	D	DD	E	F	H	K
10		90°	42.5	11.4	29	8.5	16.7	5.5	6	16.7	5	12	2	10	18	M5×0.8
		180°														
15		90°	53.5	14	31	9	24.5	6.5	0	24.5	6	14	2	10	20	M5×0.8
		180°														
Type	Item	Rotating angle	W	Q	S	US	TA	TC	TD	J	JA	X	XA	Y	YA	P
10		90°	4.5	17	62	35	15.5	8	15.4	7.5	4.5	3 (H9)	2	3 (H9)	2	M5×0.8
		180°														
15		90°	5.5	20	75	40	16	9	17.6	7.5	4.5	3 (H9)	2	3 (H9)	2	M5×0.8
		180°														

HRS Series

HRS20/30/40



Type\Item	Rotating angle	A	B	EA	BA	BB	BC	BD	BE	BU	CA	CB	D	DD	F	H	J	JA
20	90° 180°	63	50	14.5	14	32.5	14.5	/	/	32.5	6	4.8	10	25	2.5	30	M8X1.25	11
30	90° 180°	69	68	14.5	14	35.5	16.5	49	16	35.5	7.5	5.8	12	30	3	32	M10X1.5	14
40	90° 180°	81	76	19.5	16	44	18.5	55	16	44	7	6.5	15	32	3	36	M10X1.5	14

Type\Item	Rotating angle	JB	K	JJ	P	Q	S	W	key		US	TA	TB	TC	TD	TF	TG	TL
									b	L1								
20	90°	6.5	3	/	1/8"	29	110	11.5	4	20	59	24.5	1	13.5	27	4(H9)	4(H9)	2.5
	180°																	
30	90°	8.5	4	M5X0.8 dp:6	1/8"	33	122	13.5	4	20	65	27	2	19	37	4(H9)	4(H9)	2.5
	180°																	
40	90°	8.5	5	M6X1 dp:7	1/8"	37	141	17	5	25	73	32.5	2	20	39.5	5(H9)	5(H9)	3.5
	180°																	