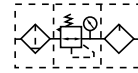


Preparation unit——A, B Series

AC、BC Series F.R.L. Combination



Symbol



Product feature

1. The structure is delicate and compact, which is convenient for installation and application.
2. The pressed-in self-locking mechanism can prevent the abnormal movement of the set pressure caused by external interfere.
3. The pressure loss is low and the efficiency of water separating is high.
4. The quantity of oil dripping can be directly observed through transparent check-dome.
5. In addition to standard type, lower pressure type is optional (The highest adjustable pressure is 0.4MPa).

Specification

Model	AC1500C	AC2000C	BC2000C	BC3000C	BC4000C10	BC4000C	
Fluid	Air						
Port size [Note1]	PT1/8	PT1/4	PT1/4	PT3/8	PT3/8	PT1/2	
Filtering grade	40μm or 5μm						
Pressure range	Semi-auto and automatic drain:0.15~0.9MPa(20~130Psi)						
Max. pressure	1.0MPa(145Psi)						
Proof pressure	1.5MPa(215Psi)						
Temperature range	-5~70°C(unfreeze)						
Capacity of drain bowl	15CC		40CC			60CC	
Capacity of oil bowl	25CC		60CC			90CC	
Recommended lubricant	ISO VG 32 or equivalent						
Constitute	Filter	AF1500C	AF2000C	BF2000C	BF3000C	BF4000C10	BF4000C
	Regulator	AR1500C	AR2000C	BR2000C	BR3000C	BR4000C10	BR4000C
	Lubricator	AL1500C	AL2000C	BL2000C	BL3000C	BL4000C10	BL4000C

[Note1] PT thread, G thread and NPT thread are available.

Ordering code

AC 2000C □ □ □ 1 W □
 ① ② ③ ④ ⑤ ⑥ ⑦ ⑧

① Model	② Port size	③ Drain type	④ Type code	⑤ Pressure gauge	⑥ Scale	⑦ Filtering grade	⑧ Thread type
AC: A Series F.R.L unit	1500C: 1/8" 2000C: 1/4"	Blank: Semi-auto drain	Blank: Standard (0.9MPa)	Blank: Pressure gauge[Note1]	1: MPa 2: psi 3: bar 4: kgf/cm ² & psi	Blank: 40μm W: 5μm	Blank: PT (Scale: MPa or kgf/cm ² & psi) G: G(Scale:bar) T: NPT(Scale:psi)
BC: B Series F.R.L unit	2000C: 1/4" 3000C: 3/8" 4000C10: 3/8" 4000C: 1/2"	Blank: Semi-auto drain A: Automatic drain	L: Lower pressure (0.4MPa)	N: No pressure gauge			

[Note1] Gauge model GS40 used on AC1500C/2000C and BC2000C/3000C/4000C10/4000C.

Inner structure

AC Series

BC Series

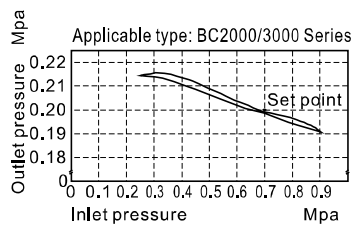
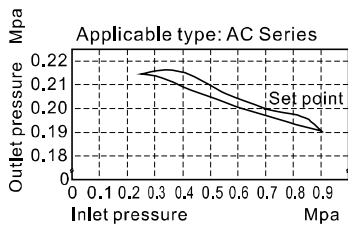
No.	Item	No.	Item
1	AF, BF Series filter	5	A, B Series fix kit
2	A, B Series gasket	6	Screw
3	A, B Series bracket	7	AL, BL Series lubricator
4	AR, BR Series regulator		

Preparation unit—A, B Series

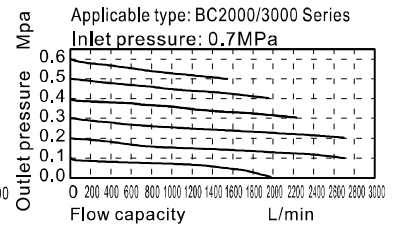
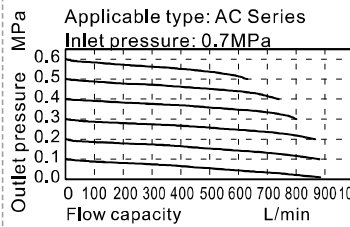
AC、BC Series F.R.L. Combination

Pressure and feature of flow

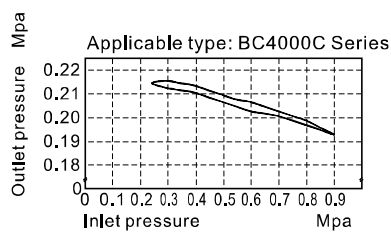
Pressure chart



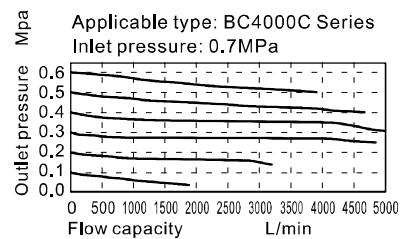
Flow chart



Pressure chart

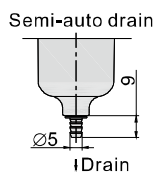


Flow chart

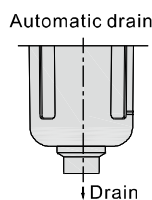


Selection of drain mode

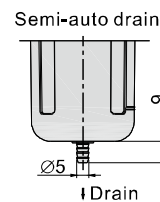
AC Series



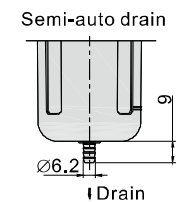
BC Series



BC2000/3000 Series

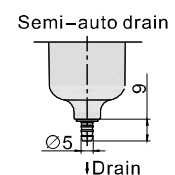
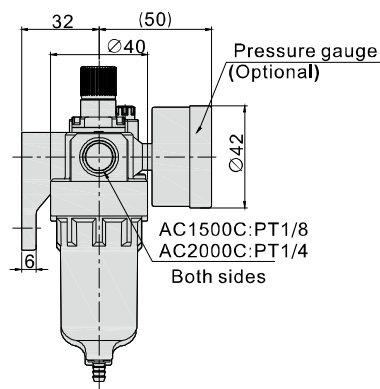
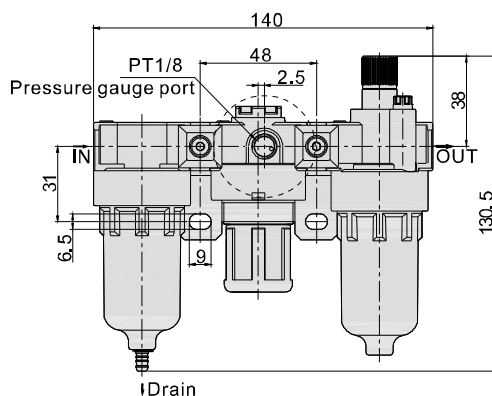


BC4000C Series



Dimensions

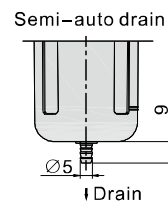
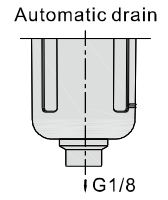
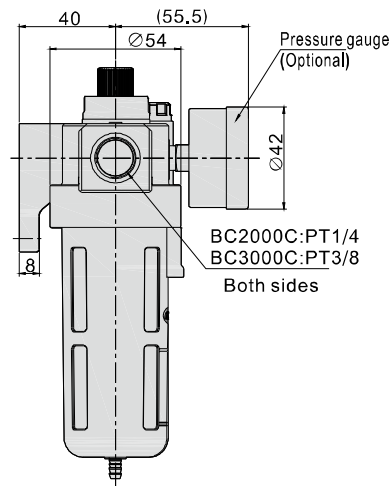
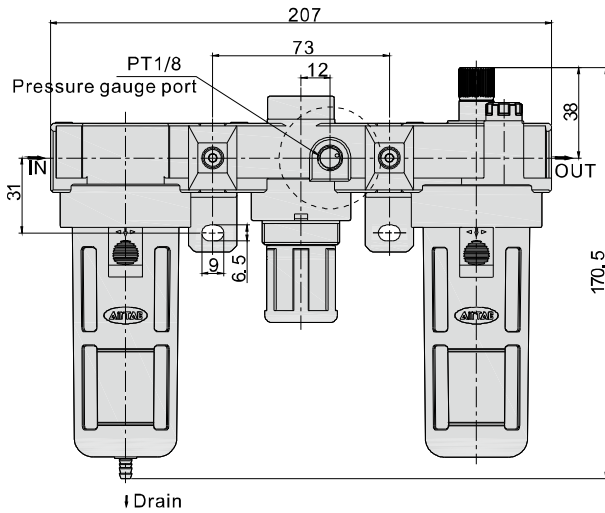
AC1500C/AC2000C



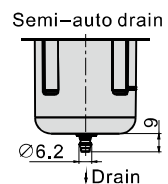
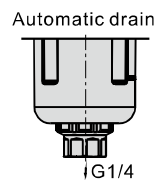
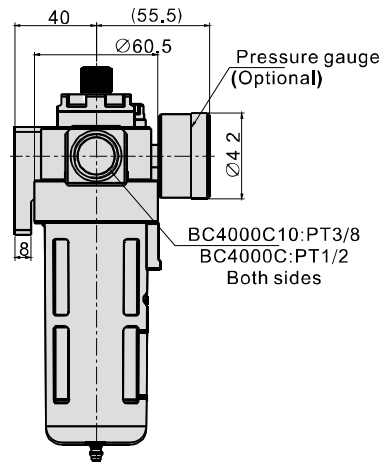
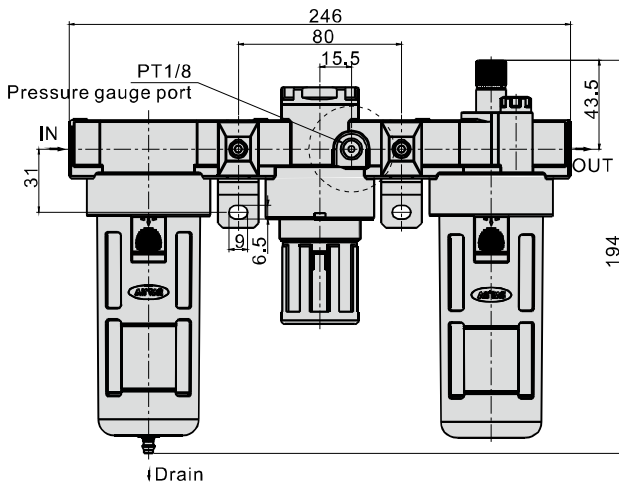
Preparation unit——A, B Series

AC、BC Series F.R.L. Combination

BC2000C/BC3000C



BC4000C10/BC4000C

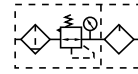


Preparation unit——A, B Series

AFC、BFC Series FR,L. Combination



Symbol



Product feature

1. The structure is delicate and compact, which is convenient for installation and application.
2. The pressed-in self-locking mechanism can prevent the abnormal movement of the set pressure caused by external interfere.
3. The pressure loss is low and the efficiency of water separating is high.
4. The quantity of oil dripping can be directly observed through transparent check dome.
5. In addition to standard type, lower pressure type is optional (The highest adjustable pressure is 0.4MPa).

Specification

Model	AFC1500C	AFC2000C	BFC2000C	BFC3000C	BFC4000C10	BFC4000C	
Fluid	Air						
Port size [Note1]	PT1/8	PT1/4	PT1/4	PT3/8	PT3/8	PT1/2	
Filtering grade	40μm or 5μm						
Pressure range	Semi-auto and automatic drain:0.15~0.9MPa(20~130Psi)						
Max. pressure	1.0MPa(145Psi)						
Proof pressure	1.5MPa(215Psi)						
Temperature range	-5~70°C(unfreeze)						
Capacity of drain bowl	15CC		40CC		60CC		
Capacity of oil bowl	25CC		60CC		90CC		
Recommended lubricant	ISO VG 32 or equivalent						
Constitute	Filter-Regulator	AFR1500C	AFR2000C	BFR2000C	BFR3000C	BFR4000C10	BFR4000C
	Lubricator	AL1500C	AL2000C	BL2000C	BL3000C	BL4000C10	BL4000C

[Note1] PT thread, G thread and NPT thread are available.

Ordering code

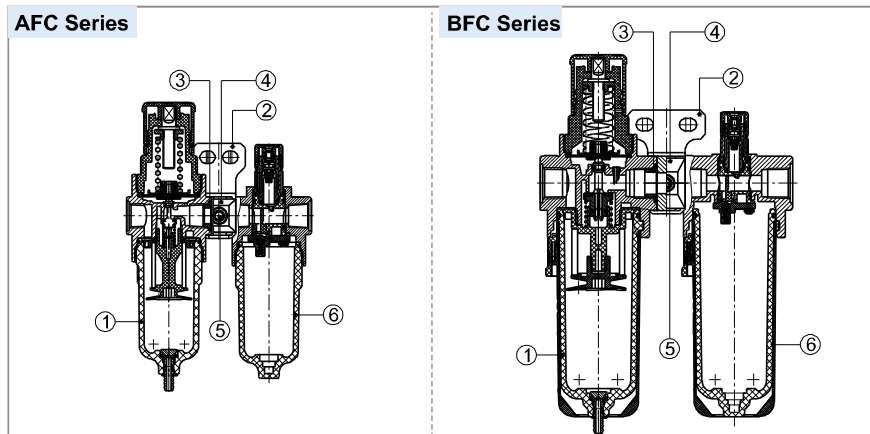
AFC 2000C □ □ □ 1 W □

① ② ③ ④ ⑤ ⑥ ⑦ ⑧

① Model	② Port size	③ Drain type	④ Type code	⑤ Pressure gauge	⑥ Scale	⑦ Filtering grade	⑧ Thread type
AFC: A Series F.R.L unit	1500C:1/8" 2000C:1/4"	Blank: Semi-auto drain	Blank: Standard (0.9MPa)	Blank: Pressure gauge[Note1]	1: MPa 2: psi 3: bar 4: kgf/cm ² & psi	Blank: 40μm W: 5μm	Blank: PT (Scale: MPa or kgf/cm ² & psi) G: G(Scale:bar) T: NPT(Scale:psi)
BFC: B Series F.R.L unit	2000C:1/4" 3000C:3/8" 4000C10: 3/8" 4000C: 1/2"	Blank: Semi-auto drain A: Automatic drain	L: Lower pressure (0.4MPa)	N: No pressure gauge			

[Note1] Gauge model GS40 used on AFC1500C/2000C and BFC2000C/3000C/4000C10/4000C.

Inner structure



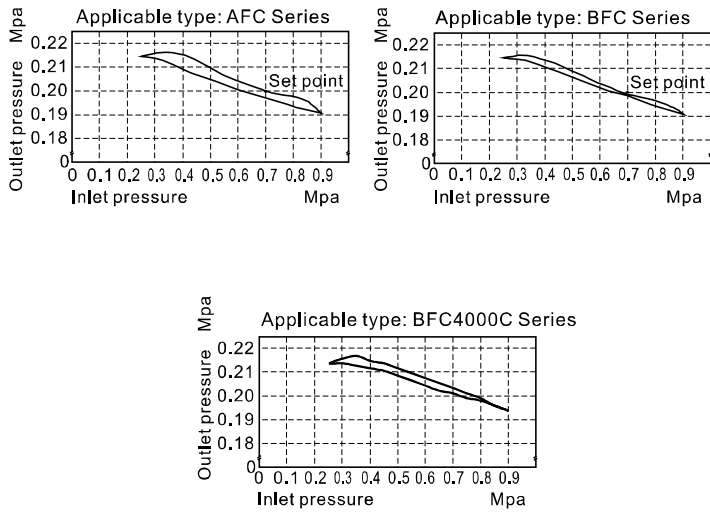
No.	Item
1	AFR, BFR Series filter & regulator
2	A, B Series bracket
3	A, B Series gasket
4	A, B Series fixed kit
5	Screw
6	AL, BL Series lubricator

Preparation unit——A, B Series

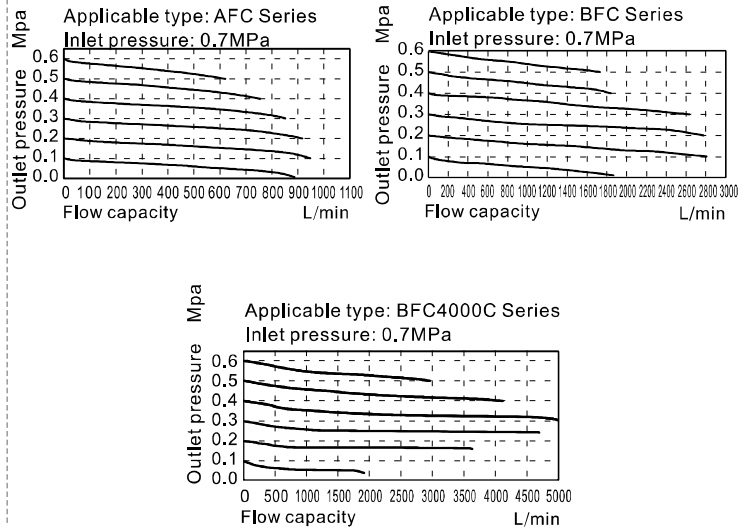
AFC、BFC Series FR.L. Combination

Pressure and feature of flow

Pressure chart



Flow chart

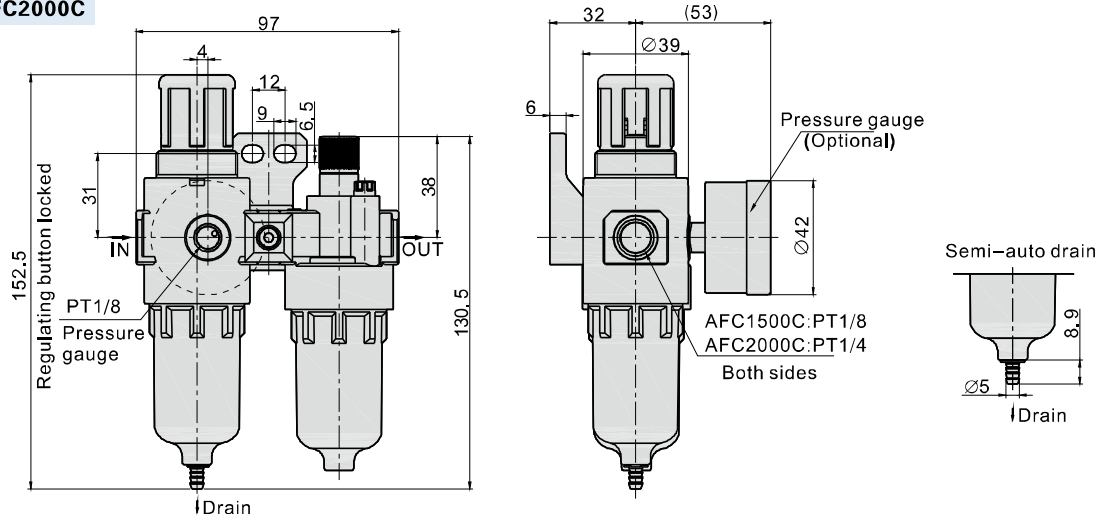


Selection of drain mode

The drain modes of different series are different. Please refer to P241 for details.

Dimensions

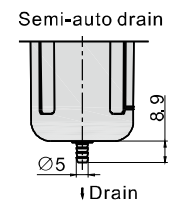
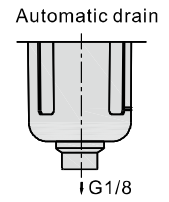
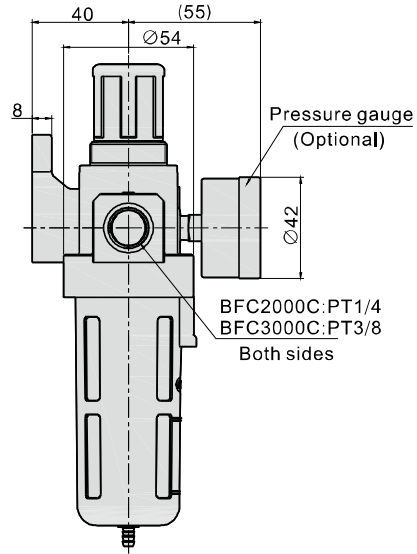
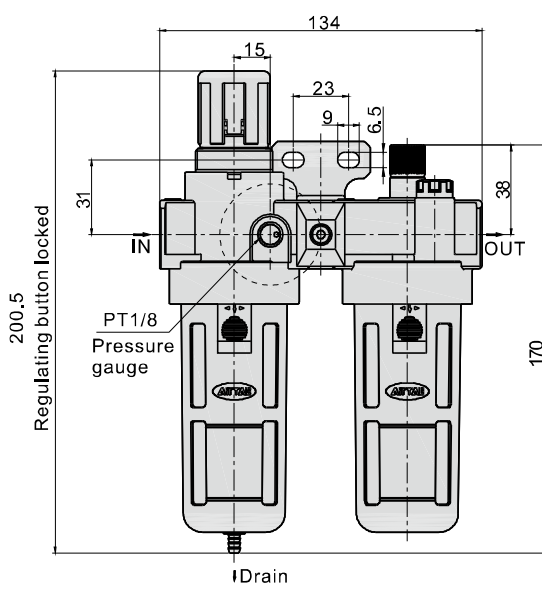
AFC1500C/AFC2000C



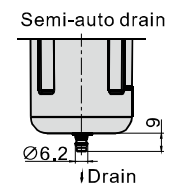
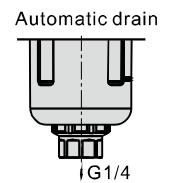
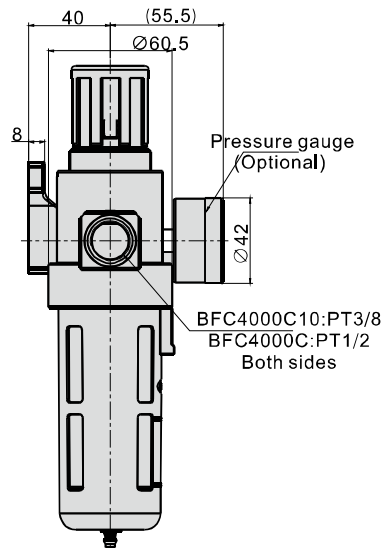
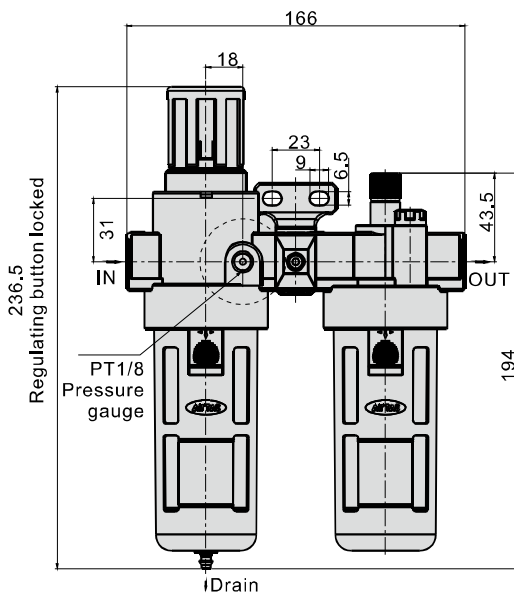
Preparation unit——A, B Series

AFC、BFC Series FR.L. Combination

BFC2000C/BFC3000C



BFC4000C10/BFC4000C

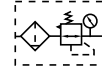


Preparation unit——A, B Series

AFR、BFR Series Filter & regulator



Symbol



Product feature

1. The structure is delicate and compact, which is convenient for installation and application.
2. The pressed-in self-locking mechanism can prevent the abnormal movement of the set pressure caused by external interfere.
3. The pressure loss is low and the efficiency of water separating is high;
4. In addition to standard type, lower pressure type is optional(The highest adjustable pressure is 0.4MPa).

Specification

Model	AFR1500C	AFR2000C	BFR2000C	BFR3000C	BFR4000C10	BFR4000C
Fluid	Air					
Port size [Note1]	PT1/8	PT1/4	PT1/4	PT3/8	PT3/8	PT1/2
Filtering grade	40μm or 5μm					
Pressure range	Semi-auto and automatic drain:0.15~0.9MPa(20~130Psi)					
Max. pressure	1.0MPa(145Psi)					
Proof pressure	1.5MPa(215Psi)					
Temperature range	-5~70°C(unfreeze)					
Capacity of drain bowl	15CC		40CC		60CC	

[Note1] PT thread, G thread and NPT thread are available.

Ordering code

AFR 2000C D 1 W

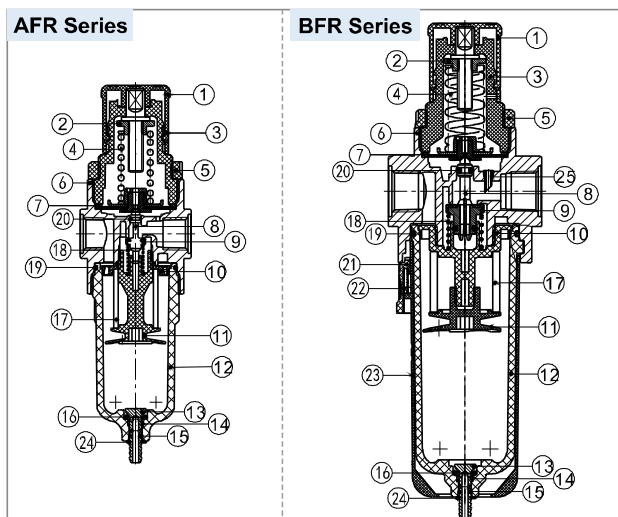
① ② ③ ④ ⑤ ⑥ ⑦ ⑧ ⑨ ⑩

① Model	② Port size	③ Gauge port position	④ Drain type	⑤ Type code	⑥ Accessories	⑦ Pressure gauge	⑧ Scale	⑨ Filtering grade	⑩ Thread type
AFR: A Series Filter & regulator	1500C: 1/8" 2000C: 1/4"	Blank: single-sided, D:double-sided	Blank: Semi-auto drain	Blank:Standard (0.9MPa)	Blank: Bracket J: No bracket	Blank: Pressure gauge[Note2]	1: MPa 2: psi 3: bar 4: kgf/cm ² & psi	Blank: 40μm W: 5μm	Blank: PT (Scale: Mpa or kgf/cm ² & psi) G: G(Scale:bar) T: NPT(Scale:psi)
BFR: B Series Filter & regulator	2000C: 1/4" 3000C: 3/8" 4000C10: 3/8" 4000C: 1/2"	Blank: double-sided [Note1]	Blank: Semi-auto drain A: Automatic drain	L: Lower pressure (0.4MPa)		N: No pressure gauge			

[Note1]BFR4000C with thread on two sides of pressure gauge by default;

[Note2] Gauge model GS40 used on AFR1500C/2000C and BFR2000C/3000C/4000C10/4000C.

Inner structure



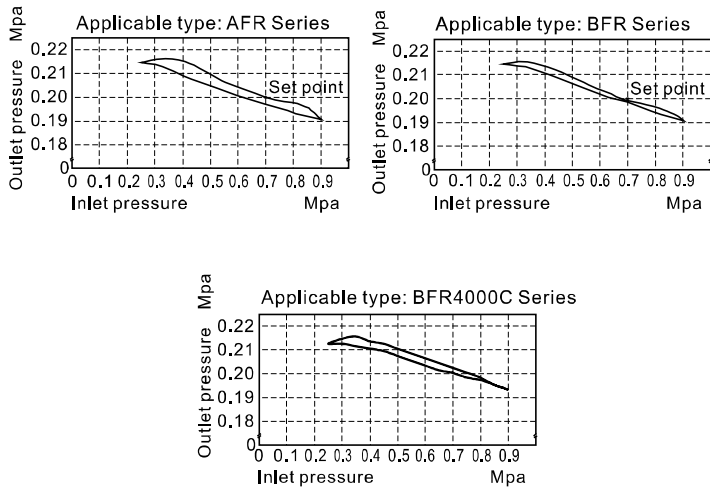
No.	Item	Material	No.	Item	Material
1	Adjusting button	POM	14	Return spring	Stainless steel
2	Adjusting nut	Carbon steel	15	Drain O-ring	NBR
3	Adjusting seat	POM(Other specifications)/PA66+Glass fiber(BFR4000C)	16	O-ring	NBR
4	Adjusting spring	SWC	17	Filter element	HDPE
5	Fixed ring	POM	18	Return spring	Stainless steel
6	Body	Aluminum alloy	19	Drain bowl O-ring	NBR
7	Diaphragm	SPCC+PA66+TPU+NBR	20	Needle O-ring	NBR
8	Balance needle	Aluminum alloy+NBR (A series) / POM(B series)	21	Push button	POM
9	Needle gasket	Aluminum alloy+NBR	22	Spring	Stainless steel
10	Air guider	POM	23	Bowl guard	PA6+Glass fiber
11	Umbrella baffle	POM	24	Clip	Spring steel
12	Drain bowl	PC	25	Feedback tube	POM
13	Drain kit	Steel			

Preparation unit——A, B Series

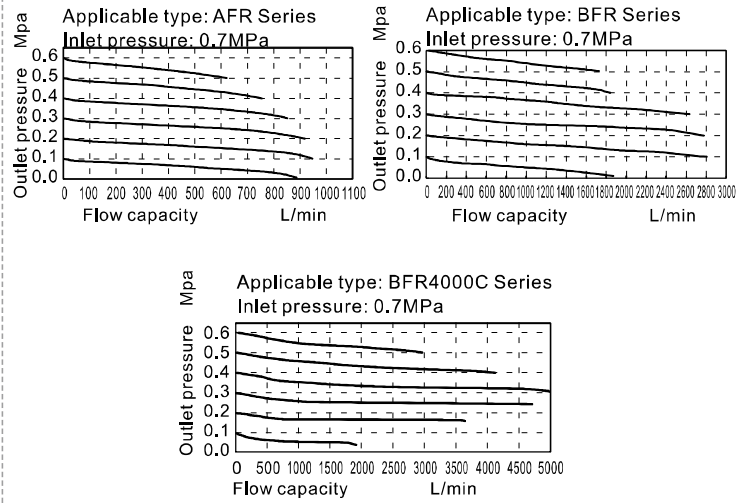
AFR、BFR Series Filter & regulator

Pressure and feature of flow

Pressure chart



Flow chart

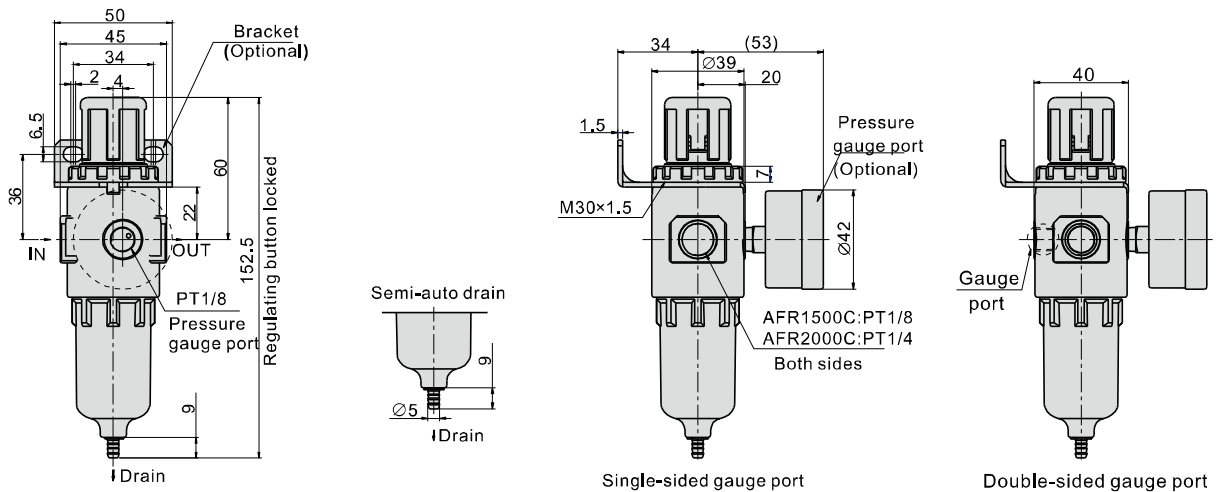


Selection of drain mode

The drain modes of different series are different. Please refer to P241 for details.

Dimensions

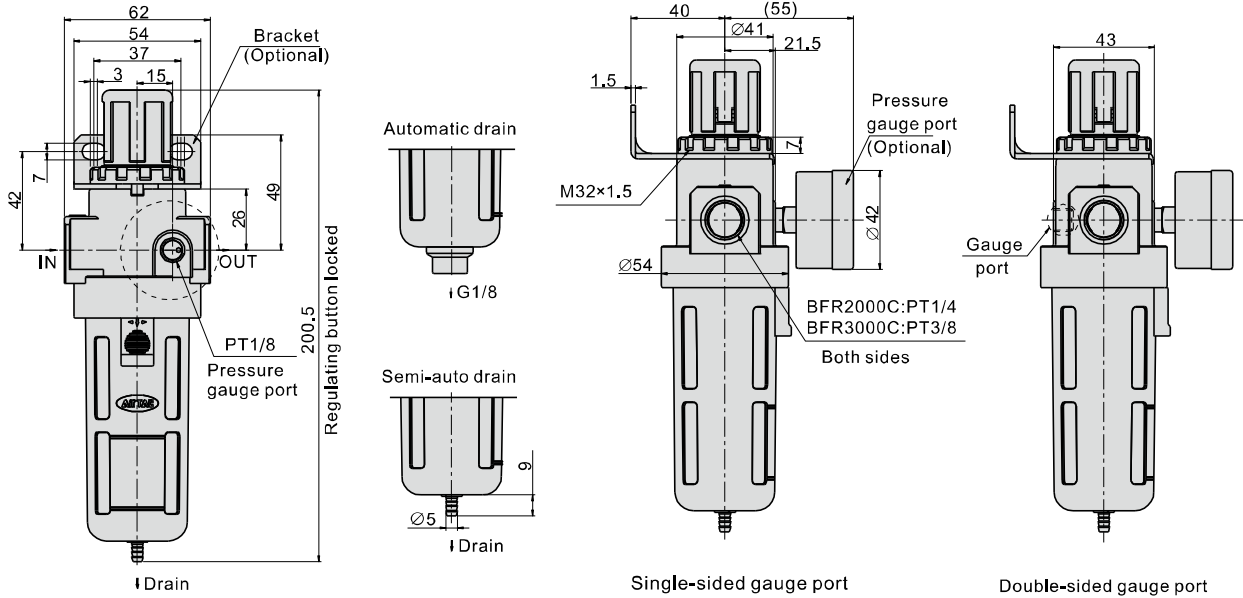
AFR1500C/AFR2000C



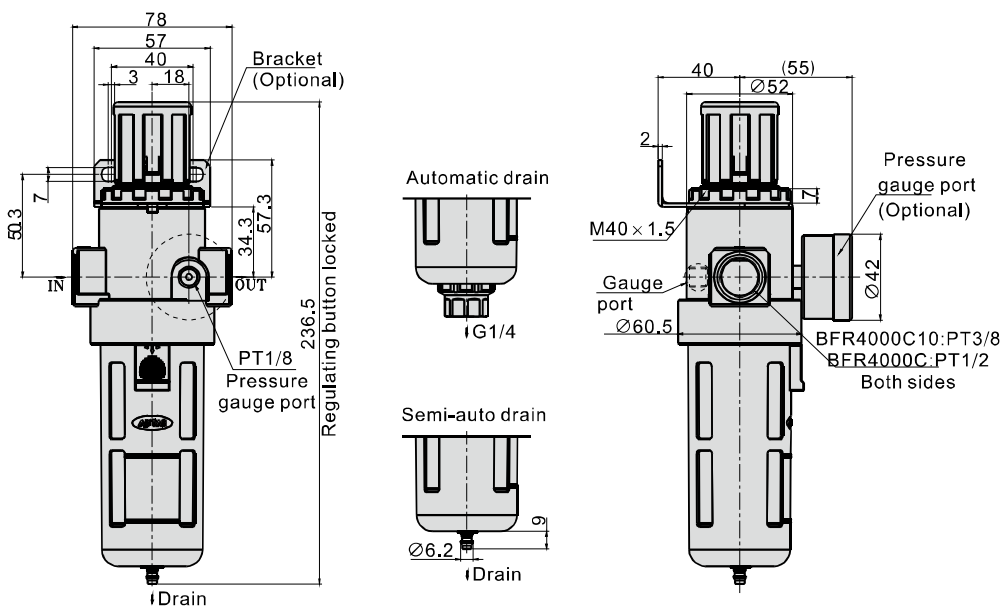
Preparation unit——A, B Series

AFR、BFR Series Filter & regulator

BFR2000C/BFR3000C



BFR4000C10/BFR4000C



Preparation unit—A, B Series

AF, BF Series Filter



Symbol



Product feature

AF Series

1. The structure is delicate and compact.
2. The pressure loss is low and the efficiency of water separating is high;
3. The filter precision includes 5 μ m and 40 μ m(optional);

BF Series

1. The pressure loss is low and the efficiency of water separating is high.
2. The bowl has high-strength plastic shields outside, which is more safe and reliable to use.
3. The filter precision includes 5 μ m and 40 μ m (optional).

Specification

Model	AF1500C	AF2000C	BF2000C	BF3000C	BF4000C10	BF4000C
Fluid	Air					
Port size [Note1]	PT1/8	PT1/4	PT1/4	PT3/8	PT3/8	PT1/2
Filtering grade	40 μ m or 5 μ m					
Pressure range	Semi-auto and automatic drain: 0.15~1.0MPa(20~145Psi)					
Proof pressure	1.5MPa(215Psi)					
Temperature range	-5~70°C(unfreeze)					
Capacity of drain bowl	15CC		40CC		60CC	

[Note1] PT thread, G thread and NPT thread are available.

Ordering code

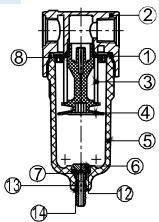
AF 2000C □ W □



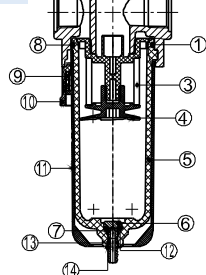
① Model	② Port size	③ Drain type [Note]	④ Filtering grade	⑤ Thread type
AF: A Series Filter	1500C: 1/8" 2000C: 1/4"	Blank: Semi-auto drain	Blank: 40 μ m W: 5 μ m	Blank: PT G: G T: NPT
BF: B Series Filter	2000C: 1/4" 3000C: 3/8" 4000C10: 3/8" 4000C: 1/2"	Blank: Semi-auto A: Automatic drain		

Inner structure

AF Series

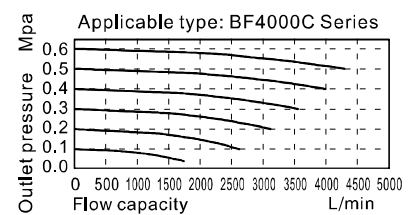
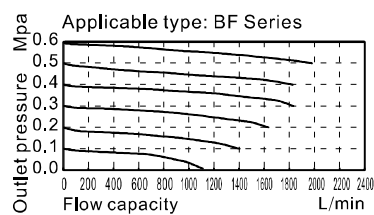
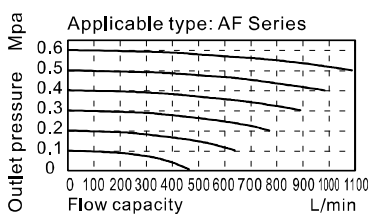


BF Series



No.	Item	Material	No.	Item	Material
1	Drain bowl O-ring	NBR	8	Drain seat O-ring	NBR
2	Body	Aluminum alloy	9	Return spring	Stainless steel
3	Filter element	HDPE	10	Air guider	POM
4	Umbrella baffle	POM	11	Spring	Stainless steel
5	Drain bowl	PC	12	Push button	POM
6	Drain kit	Steel/POM	13	Bowl guard	PA6+Glass fiber
7	O-ring	NBR	14	Clip	Spring steel

Flow chart



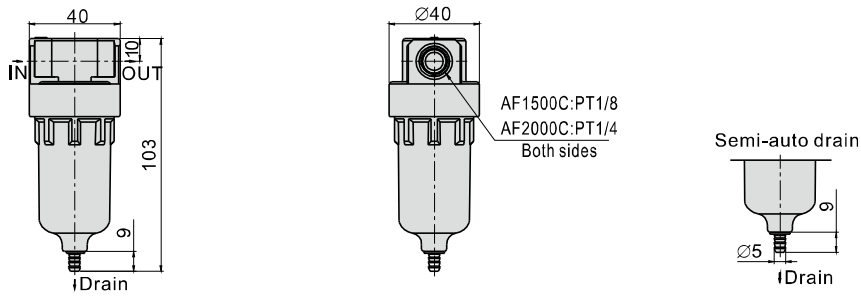
[Note1] The drain modes of different series are different. Please refer to P241 for details.

Preparation unit——A, B Series

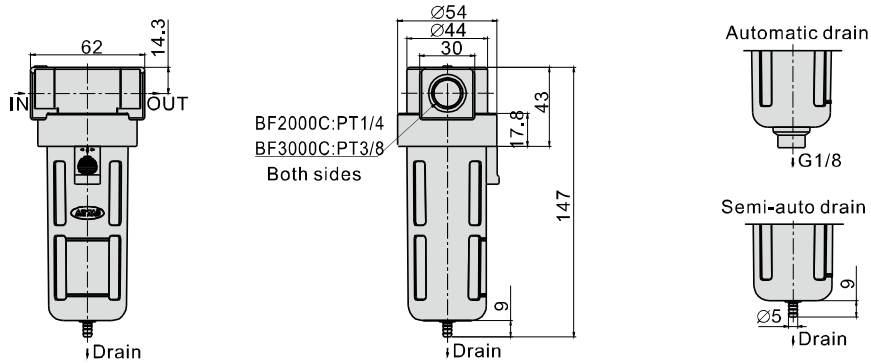
AF、BF Series Filter

Inner structure

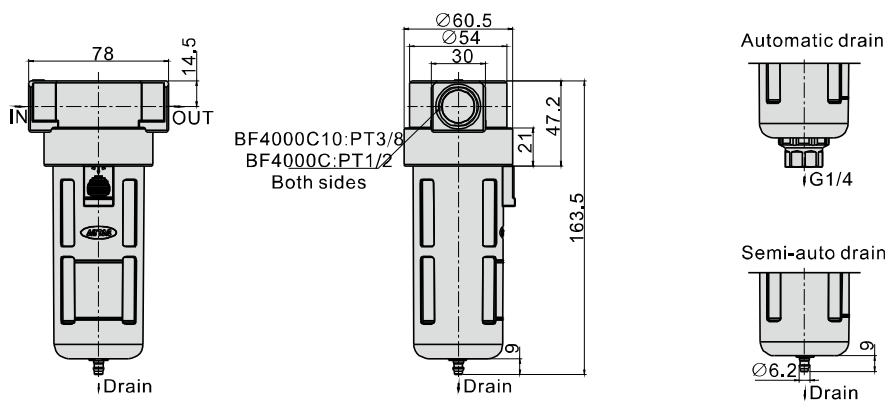
AF1500C/AF2000C



BF2000C/BF3000C



BF4000C10/BF4000C



Preparation unit——A, B Series

AR, BR Series Regulator



Symbol



Product feature

1. The structure is delicate and compact, which is convenient for installation and application.
2. The pressed-in self-locking mechanism can prevent the abnormal movement of the set pressure caused by external interfere.
3. In addition to standard type, lower pressure type is optional (The highest adjustable pressure is 0.4MPa).

Specification

Model	AR1500C	AR2000C	BR2000C	BR3000C	BR4000C10	BR4000C
Fluid	Air					
Port size [Note1]	PT1/8	PT1/4	PT1/4	PT3/8	PT3/8	PT1/2
Pressure range	0.05~0.9MPa(7~130Psi)					
Max. pressure	1.0MPa(145Psi)					
Proof pressure	1.5MPa(215Psi)					
Temperature range	-20~70°C					

[Note1] PT thread, G thread and NPT thread are available.

Ordering code

AR 2000C D L 1

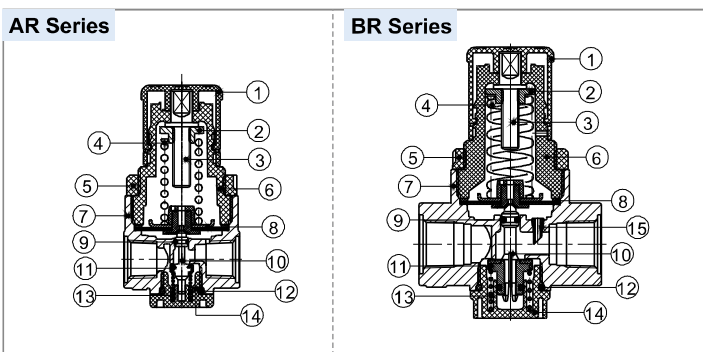
① ② ③ ④ ⑤ ⑥ ⑦ ⑧

① Model	② Port size	③ Gauge port position	④ Type code	⑤ Accessories	⑥ Pressure gauge	⑦ Scale	⑧ Thread type
AR: A Series Regulator	1500C: 1/8" 2000C: 1/4"	Blank: single-sided, D: double-sided	Blank: Standard (0.9MPa) L: Lower pressure (0.4MPa)	Blank: Bracket J: No bracket	Blank: Pressure gauge[Note2] N: No pressure gauge	1: MPa 2: psi 3: bar 4: kgf/cm ² & psi	Blank: PT (Scale: Mpa or kgf/cm ² & psi) G: G (Scale: bar) T: NPT (Scale: psi)
BR: B Series Regulator	2000C: 1/4" 3000C: 3/8" 4000C10: 3/8" 4000C: 1/2"	Blank: single-sided, D: double-sided[Note1]					

[Note1] BFR4000C with thread on two sides of pressure gauge by default;

[Note2] Gauge model GS40 used on AR1500C/2000C and BR2000C/3000C/4000C10/4000C.

Inner structure



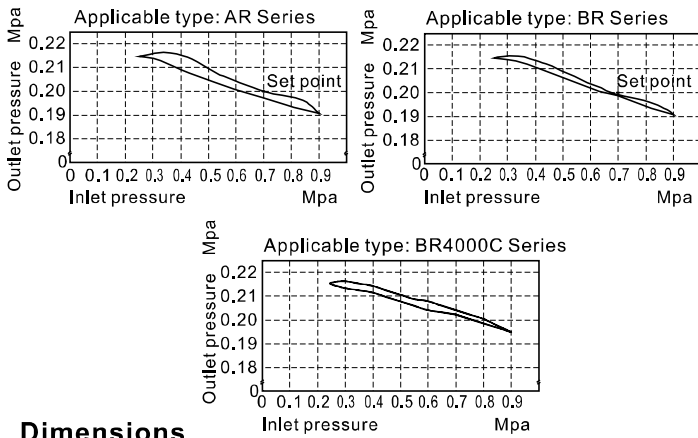
No.	Item	Material
1	Adjusting button	POM
2	Adjusting nut	Carbon steel
3	Adjusting pillar	Carbon steel
4	Adjusting spring	SWC
5	Fixed ring	POM
6	Adjusting seat	POM(Other specifications)/ PA66+Glass fiber(BFR4000C)
7	Body	Aluminum alloy
8	Diaphragm	SPCC+PA66+TPU+NBR
9	Needle O-ring	NBR
10	Balance needle	Aluminum alloy+NBR (A series) / POM(B series)
11	Needle gasket	Aluminum alloy & rubber
12	Cap O-ring	NBR
13	Return spring	Stainless steel
14	Regulator cap	POM
15	Feedback tube	POM

Preparation unit—A, B Series

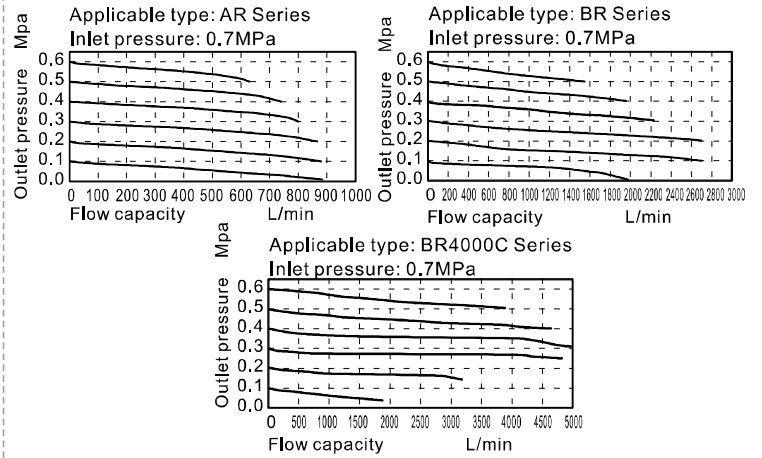
AR, BR Series Regulator

Pressure and feature of flow

Pressure chart

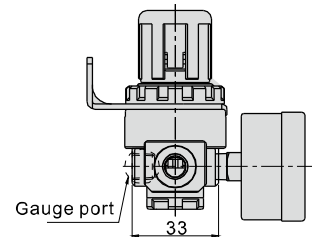
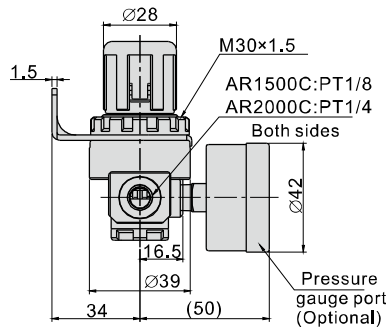
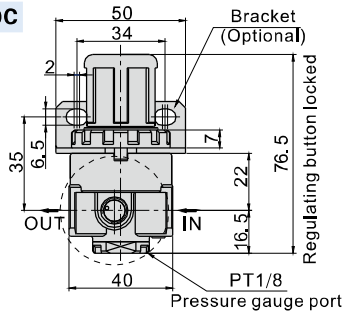


Flow chart



Dimensions

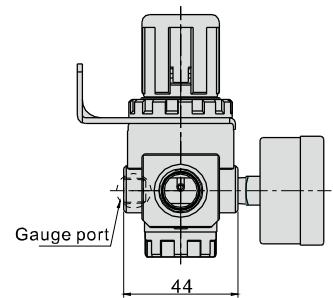
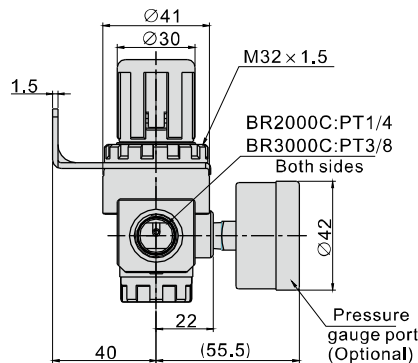
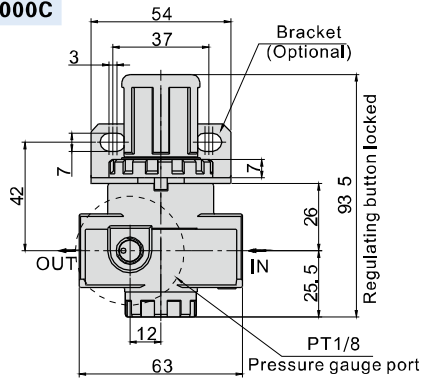
AR1500C/AR2000C



Single-sided gauge port

Double-sided gauge port

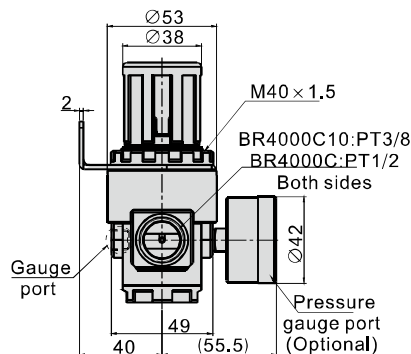
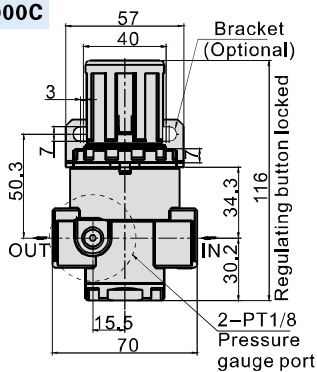
BR2000C/BR3000C



Single-sided gauge port

Double-sided gauge port

BR4000C10/BR4000C



Preparation unit—A, B Series

AL, BL Series Lubricator



Symbol



Product feature

1. The structure is delicate and compact.
2. The quantity of oil dripping can be directly observed through transparent inspection sheet.
3. BL has high-strength plastic shields, which is more safe and reliable to use.
4. The pressure loss and the flow of miststart is low.

Specification

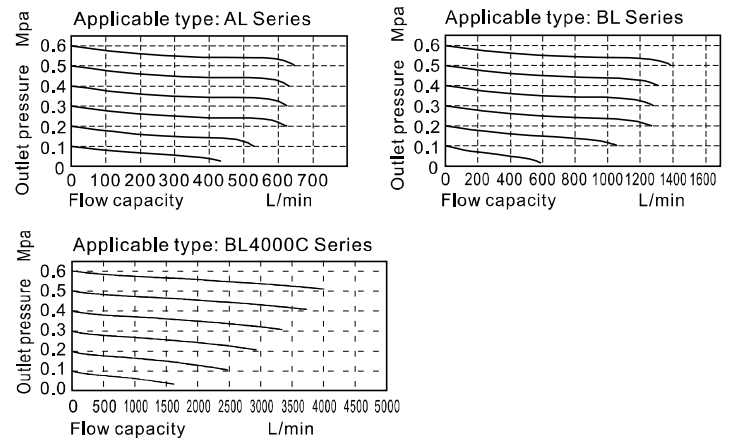
Model	AL1500C	AL2000C	BL2000C	BL3000C	BL4000C10	BL4000C
Fluid	Air					
Port size [Note1]	PT1/8	PT1/4	PT1/4	PT3/8	PT3/8	PT1/2
Pressure range	0.05~1.0MPa(7~145Psi)					
Proof pressure	1.5MPa(215Psi)					
Temperature range	-5~70°C(unfreeze)					
Capacity of oil bowl	25CC		60CC		90CC	
Recommended lubricant	ISO VG 32 or equivalent					

[Note1] PT thread, G thread and NPT thread are available.

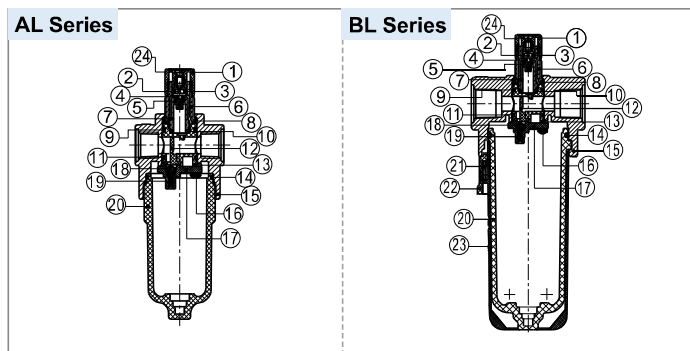
Ordering code

AL 2000C <input type="checkbox"/>		
① Model	② Port size	③ Thread type
AL: A Series Lubricator	1500C: 1/8" 2000C: 1/4"	Blank: PT G: G T: NPT
BL: B Series Lubricator	2000C: 1/4" 3000C: 3/8" 4000C10: 3/8" 4000C: 1/2"	

Flow chart



Inner structure



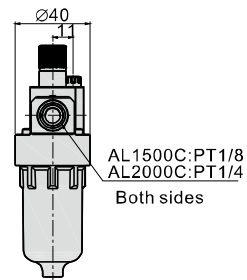
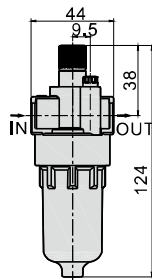
No.	Item	Material	No.	Item	Material
1	Dripper O-ring	POM	13	Lubricator kit	POM
2	Oil filling plug	Aluminum alloy	14	Oil bowl O-ring	NBR
3	Oil bowl O-ring	NBR	15	Body	Aluminum alloy
4	Needle spring	Stainless steel	16	Bolt	Carbon steel
5	Seal	NBR	17	Bottom cover	POM
6	Check-dome	PC	18	Ball	Stainless steel
7	Drip pipe	PC	19	Return spring	Stainless steel
8	Sight window seal	NBR	20	Oil bowl	PC
9	O-ring	NBR	21	Spring	Stainless steel
10	Drip pipe O-ring	NBR	22	Push button	POM
11	O-ring	NBR	23	Bowl guard	PA6+Glass fiber
12	Partition	PU	24	Fixing bolt	Carbon steel

Preparation unit—A, B Series

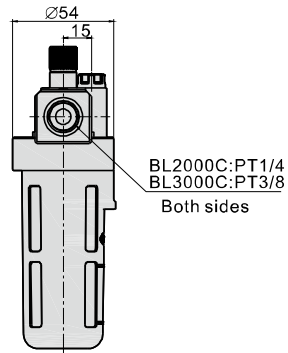
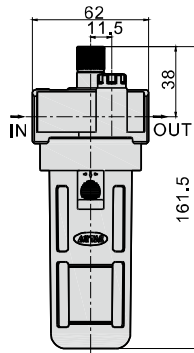
AL, BL Series Lubricator

Dimensions

AL1500C/AL2000C



BL2000C/BL3000C



BL4000C10/BL4000C

